
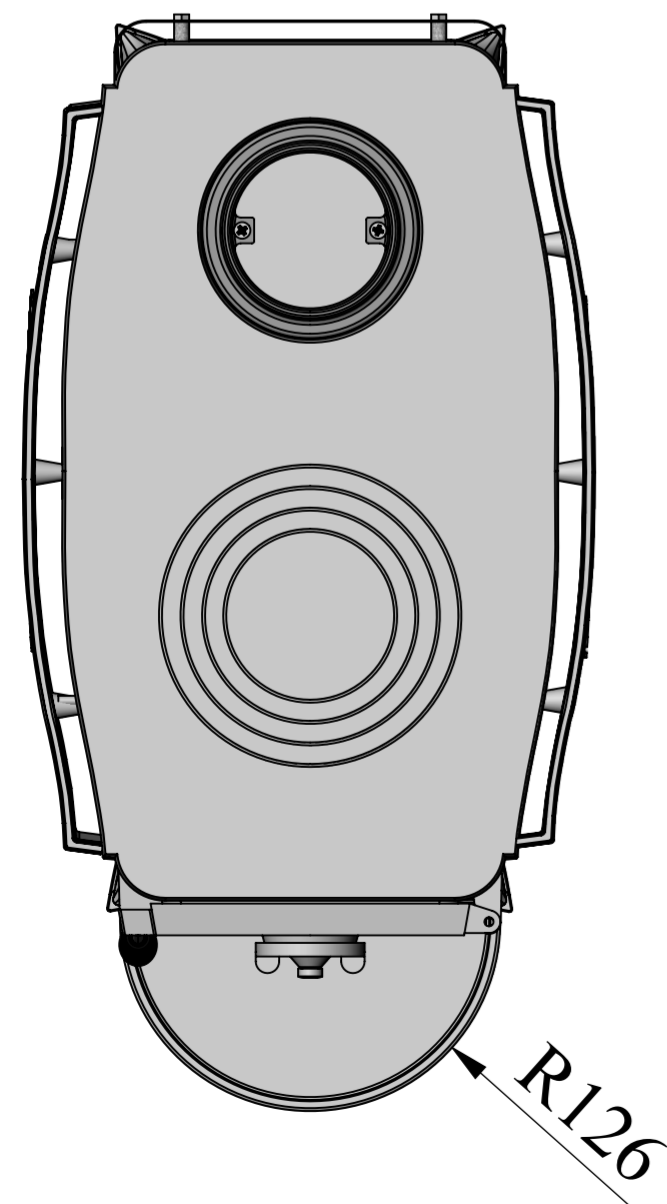
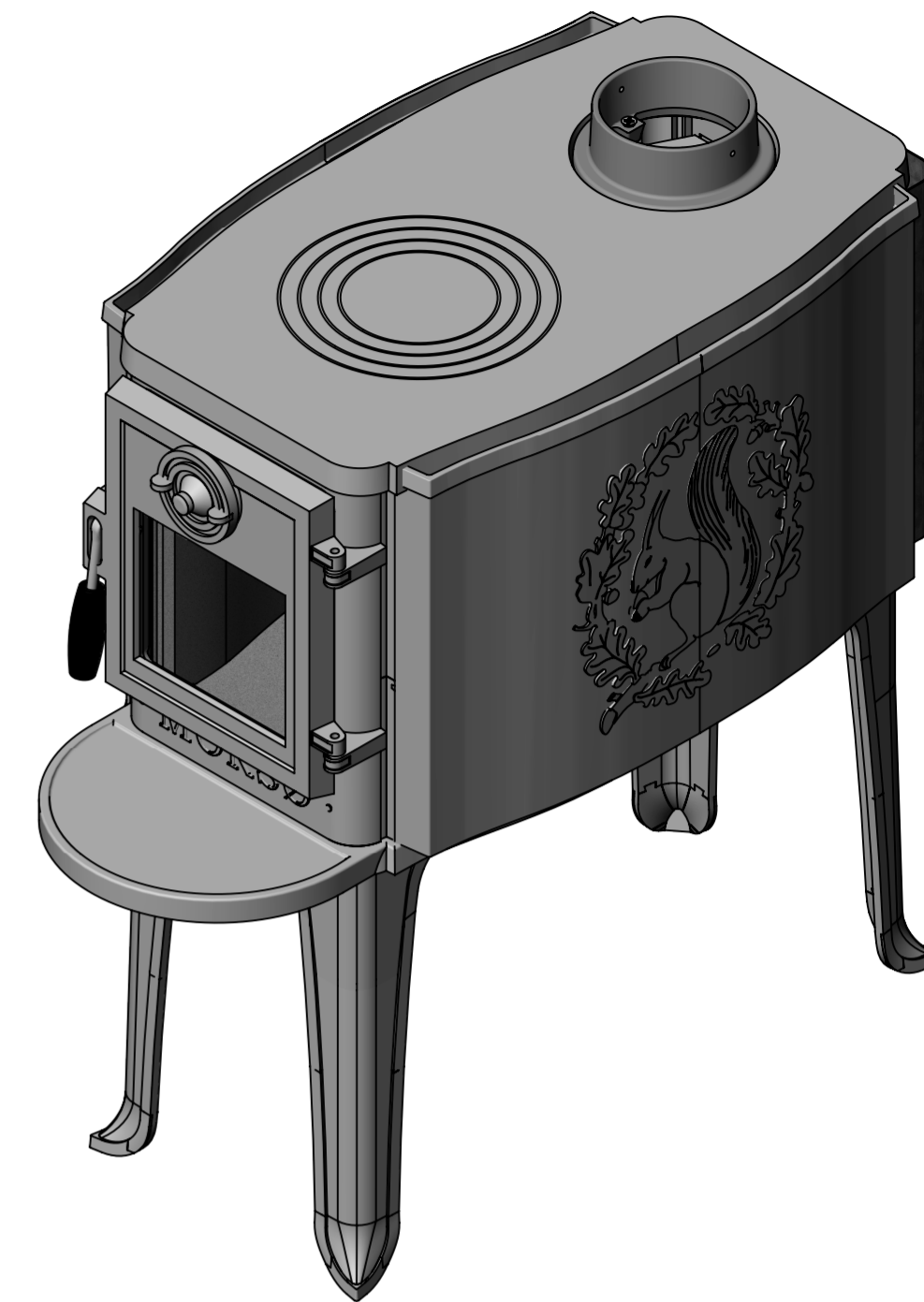
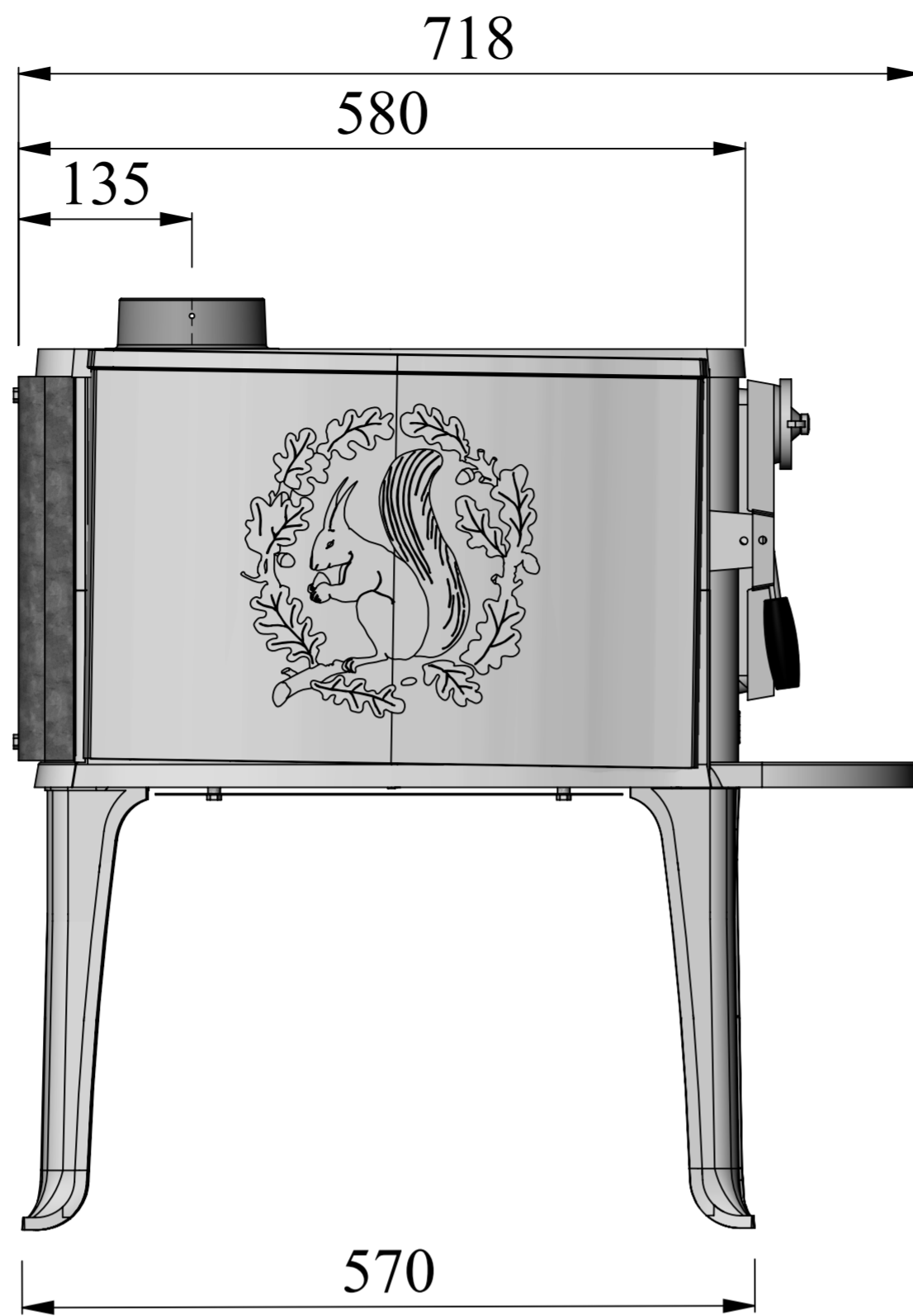
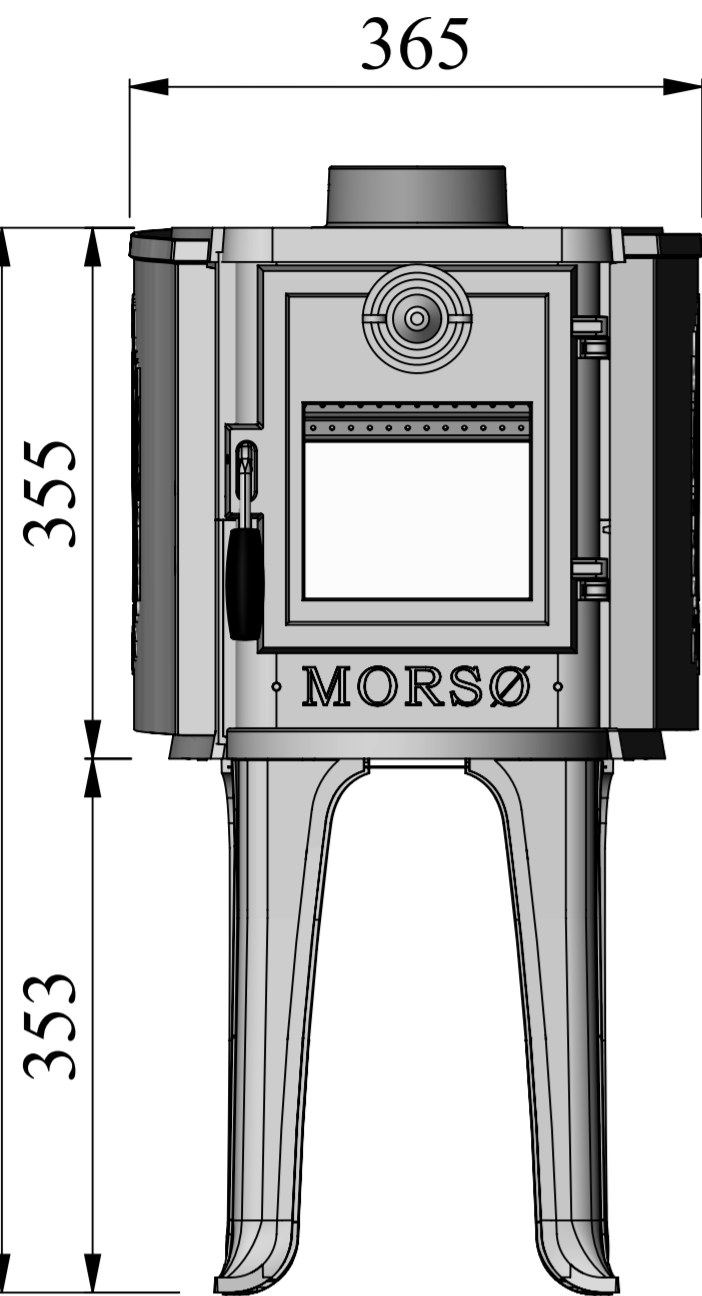



b		Added two more views.		RSV	09.07.2010
Rev.		Revisions		Sign.:	Date:
				Released:	01.11.05
Title:		Construction:		Format:	
Maalskitse		RSV		A2	
2B Standard konvektion EN		Released:		Scale:	
Morsø 2B Standard		Itemno.:		1:5	
Drawingtype: Dimension Skecth		Drawing no.:		Drawing no.:	
Location of file: G:\uud\1\tegringer\18&2B\2B Classic & 2B Standard Assembly.SLDASM				2B-128 b	

This drawing is Morsø Jernstøberi A/S' property and must not be sold, lended or copied without any written authorization from the company.

708



Rev. Revisions		b	Added two more views.	RSV	09.07.2010
Title:		Maalskitse		Construction:	RSV
Material:		2B Standard konvektion EN		Released:	
Weight:		Morsø 2B Standard		Format:	A2
Model no.				Scale:	1:5
Drawingtype: Dimension Skecth				Itemno.:	
Location of file: G:\uud\1\tegninger\18&2B\2B Classic & 2B Standard Assembly.SLDASM				Drawing no.: 2B-128 b	

This drawing is Morsø Jernstøberi A/S' property and must not be sold, lended or copied without any written authorization from the company.