

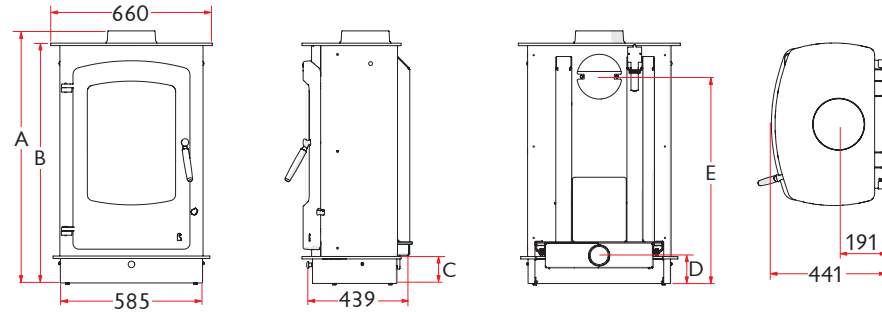
charnwood 


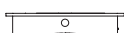
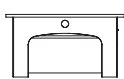
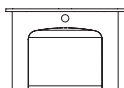
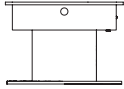
COVE 3

STOVE DIMENSIONS



The Charnwood COVE 3 is the largest stove in the Cove range. With a nominal output of 12kW and a maximum of 16kW it is ideally suited to a larger room, hall or open plan area. The Cove 3 is able to take a log length of up to half a metre and with its tall curved door offers a spectacular view of the fire. Once again it comes with a versatile choice of five base options and eight colour ways to suit different situations.



		A	B	C	D	E	WEIGHT
LOW STAND		1130	980	110	115	844	159KG
LOW ARCH		1130	980	110	115	844	159KG
MIDI STAND		1200	1150	280	285	1014	168KG
STORE STAND		1330	1280	410	415	1144	171KG
CENTRE STAND		1330	1280	410	415	415	187KG

Heat Output to Room

Nominal 12kW (40,900Btu/hr)
- Maximum 16kW (54,400 Btu/hr)

Flue Outlet

Top or Rear 175mm (7") diameter

Maximum Log Length

500mm (20 inches)

Optional Accessories

Ash Carrier
Vertical Rear Flue Connector

