

# hwam I30/55

User's Manual · Gebruiksaanwijzing · Istruzioni per l'uso  
Manuel d'utilisation · Manual del usuario



20.12.2010 / 97-9637





## **Table of contents, English**

Drawings.....	4-6
Installation Manual.....	7
Mounting and Connection.....	8
Firing Manual – Wood.....	10
In General about Firing.....	12
Cleaning.....	13
Maintenance.....	13
Operational Problems.....	15
Declaration of Conformity.....	16
Type plate.....	59

## **Inhoud, Nederlands**

Tekeningen.....	4-6
Installatiehandleiding.....	17
Montage en aansluiting.....	18
Handleiding stoken – hout.....	20
Algemeen.....	22
Reiniging.....	23
Onderhoud.....	23
Onregelmatigheden.....	25
Conformiteitsverklaring.....	26
Typeplaatje.....	59

## **Tables des matières, Français**

Illustrations.....	4-6
Guide d'installation.....	27
Montage et raccordement.....	28
Guide de chauffage – bois.....	30
Généralités.....	32
Nettoyage.....	33
Entretien.....	33
Défauts de fonctionnement.....	35
Déclaration de conformité.....	36
Plaque signalétique.....	59

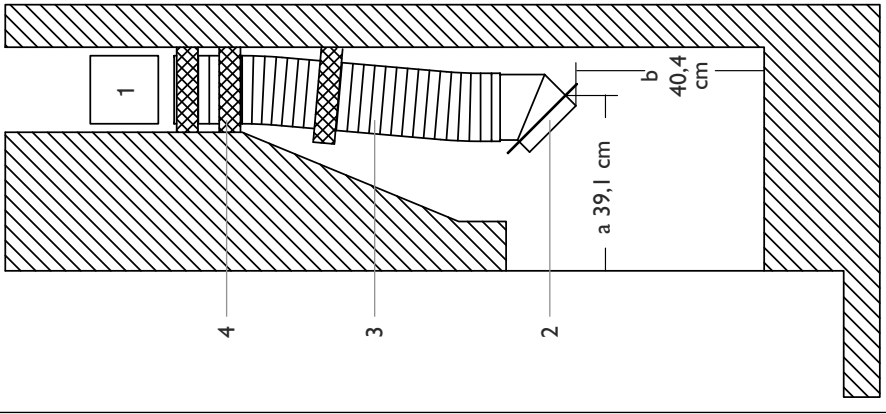
## **Indice, Italiano**

Disegni.....	4-6
Guida all'installazione.....	37
Montaggio e inserimento della stufa.....	38
Istruzioni d'uso per l'accensione – legna.....	40
Regole generali sulla combustione.....	42
Pulizia.....	43
Manutenzione.....	43
Disturbi del funzionamento.....	45
Dichiarazione di conformità.....	46
Targa dati.....	59

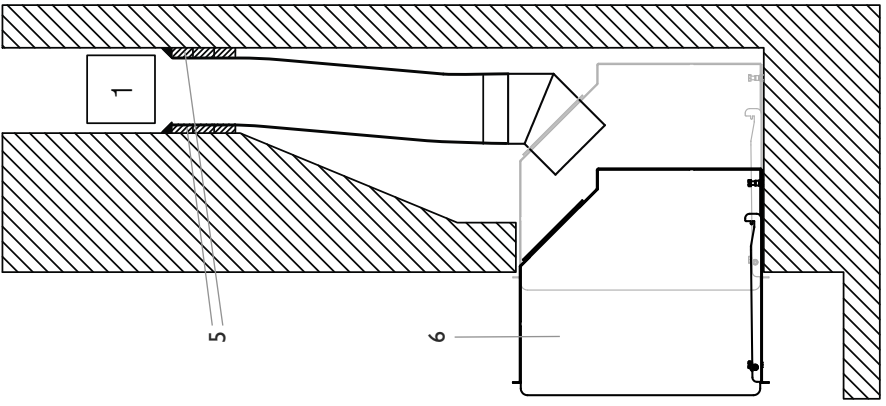
## **Indice, Español**

Ilustraciones.....	4-6
Instrucciones para la instalación.....	47
Montaje y conexión.....	48
Manual de encendido – madera.....	50
Aspectos generales de funcionamiento.....	52
Limpieza.....	53
Mantenimiento.....	53
Irregularidades de funcionamiento.....	55
Declaración de conformidad.....	56
Placa de identificación.....	59

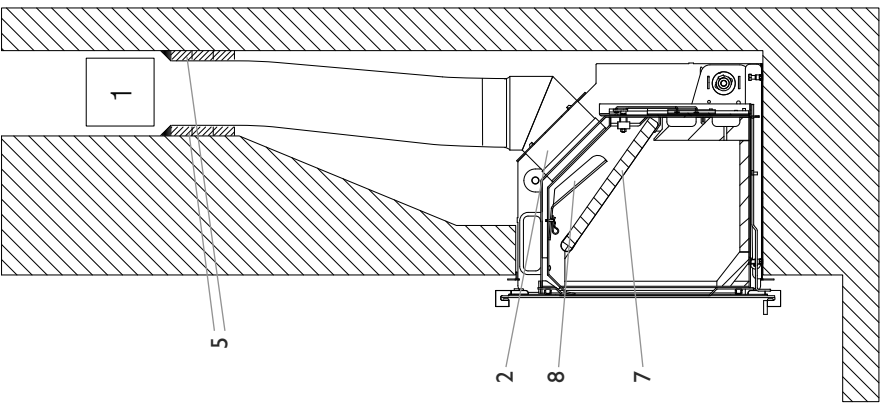
A1

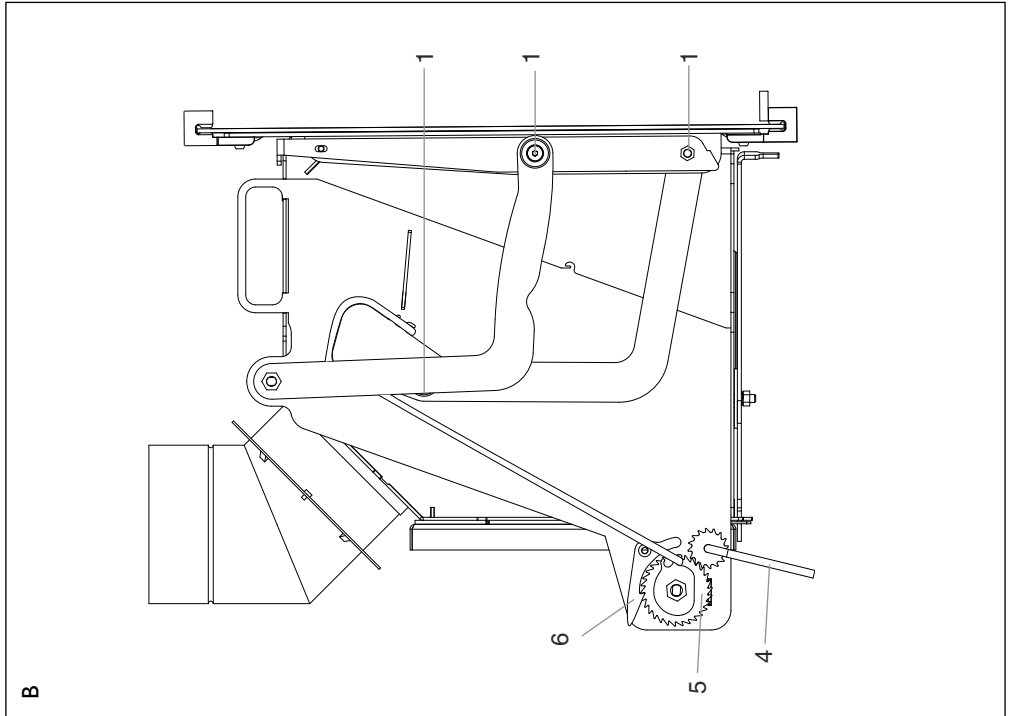
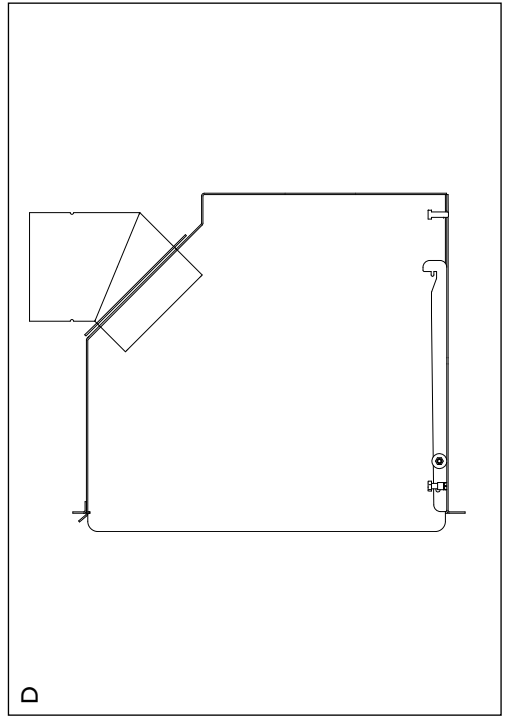
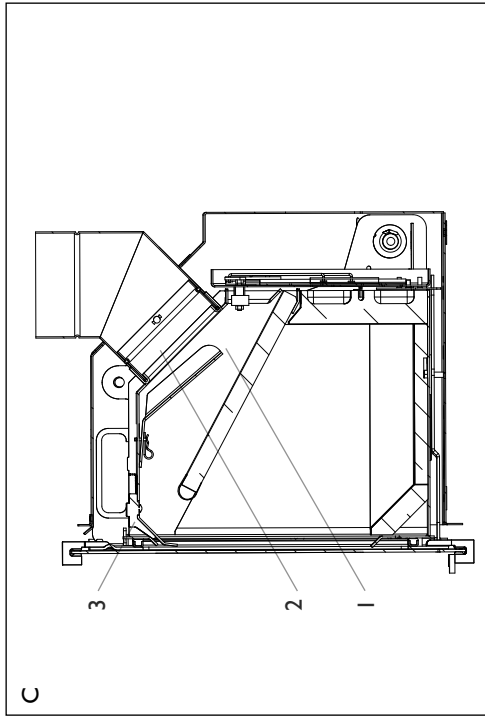


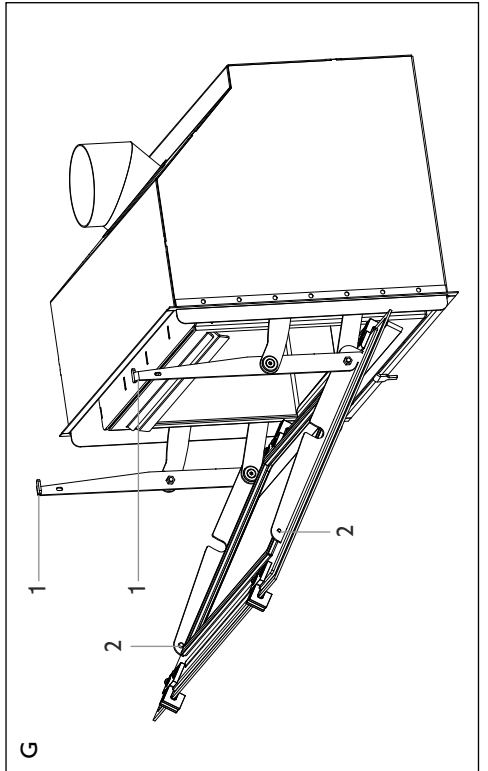
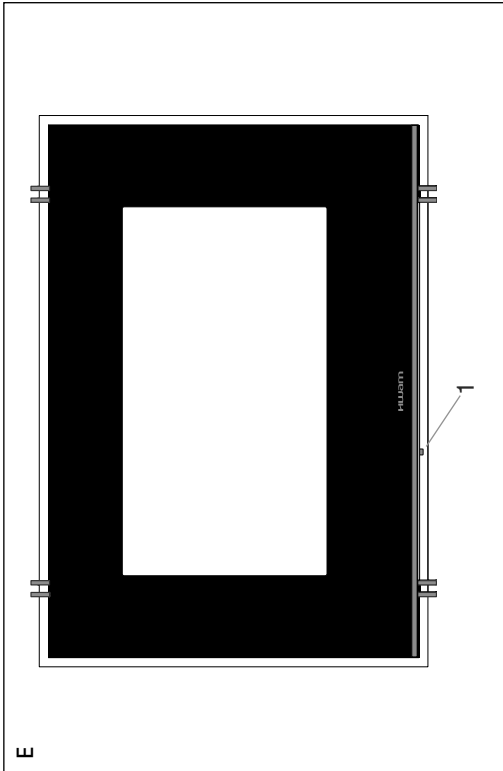
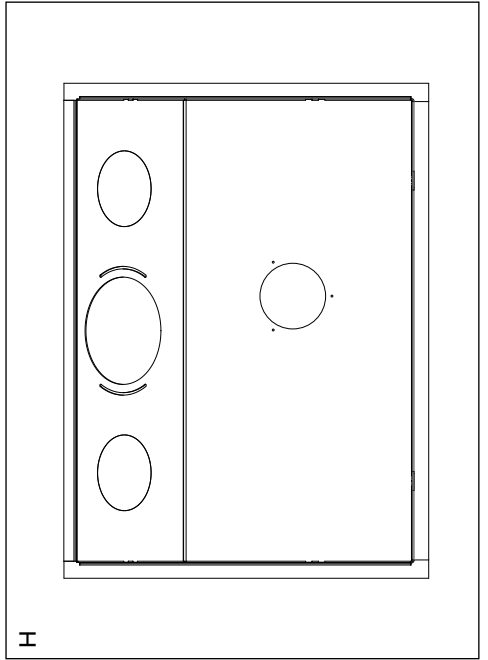
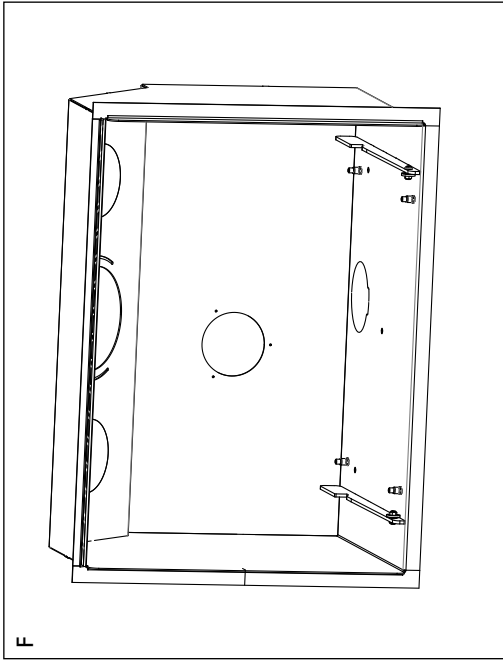
A2



A3







### Legislation

If the insert is to be mounted in a newly built, non-approved open fireplace, all legal requirements and local building regulations must be observed. It would always be advantageous to consult your chimney sweep before mounting the insert.

### Room requirements

There must be a constant supply of fresh air to the room in which the insert is to be installed. A window that opens or an adjustable air vent should suffice.

Please be aware that not all glass parts are heat-resistant. For this reason, a glass wall should sometimes be treated as a flammable wall, in which case we ask you to contact your local chimney sweep or glass producer to hear at what distance the insert should be kept from glass.

### Distance to inflammable materials

Please refer to local building regulations to determine the size of the fireproof area in front of the fireplace.

The insert must be positioned at least 30 cm above the floor if the floor is made of flammable material.

If inflammable material is located near the brickwork casing, there must be a minimum of 40 mm of non-flammable insulation (fire batt) between the casing and inflammable material. This applies to all of the casing's surfaces. The thermal conductivity of the insulation must be less than 0.09 W/m x K (as measured at 200 °C); i.e., thermal conductivity must be lower than 0.09 W/m x K.

### Chimney requirements

The chimney must be of a sufficient height to enable an adequate draft and to prevent smoke problems. Nominal draft: approx. 12 Pa.

The chimney must have a minimum opening equivalent to  $\varnothing$  150 mm.

The chimney opening should always be at least the size of the outlet socket of the insert.

The chimney must have an easily accessible soot door.

### Chimney

The chimney is the "motor" of the insert and it is crucial for the functioning of the woodburning insert. The chimney draft provides a partial vacuum in the insert. This vacuum removes the smoke from the insert, sucks air through the dampers for the so-called glass pane rinse which keeps the glass free of soot, and sucks in air through both primary and secondary dampers for the combustion.

The chimney draft is created by the differences in temperature inside and outside the chimney. The higher the temperature within the chimney, the better the draft. It is crucial, therefore, that the chimney is warmed through properly before closing the damper and limiting the combustion in the insert (a brick chimney takes longer to warm through than a steel chimney).

On days where the weather and wind conditions create insufficient draught inside the chimney, it is even more important to warm up the chimney as quickly as possible. The trick is to quickly get some flames going. Split the wood into extra fine pieces, use an extra firelighter, etc.

If the stove has not been used for a longer period, it is important to check that the chimney pipe is not blocked.

It is possible to connect several devices to the same chimney. However, it is important to first check the applicable rules. Contact your local chimney sweeper for the approval of your chimney.

Even a good chimney can function badly if it is not used correctly. Similarly, a bad chimney may function well if it is used correctly.

### **Chimney sweeping**

To prevent the risk of chimney fires, the chimney must be cleaned every year. The flue duct and the smoke chamber above the baffle plate must be cleaned together with the chimney. If the chimney's height makes cleaning from above impossible, a cleaning hatch must be installed in the chimney.

In case of a chimney fire, close all dampers and call the firefighters. Before any further use, have the chimney checked by the chimney sweeper.

Test results from nominal test EN 13229:

Nominal heating effect	6.0 kW
Smoke temperature	259°C
Exhaust gas flow	6.5 g/sec.

## **MOUNTING AND CONNECTION (DRAWING A)**

---

The HWAM I 30/55 consists of a moveable, external brickwork casing, as well as an insert that is pushed into place and connected once the brickwork casing has been assembled.

### **The HWAM I 30/55 can be connected in two ways:**

1. Mounting and connecting in an existing fireplace.
2. New construction around the insert, possibly including heat ducts to other rooms.

#### **1. Mounting and connecting in an existing fireplace (Drawing A1-A3).**

Before mounting the insert in a brick-built fireplace, the regulating damper in the existing chimney must be removed and the smoke neck, if any, should be widened so that the fire tube from the insert can be connected directly to the chimney. Any bricks positioned on edge at the bottom of the fireplace should also be removed.

In advance, decide with a specialist or the chimney sweep where a soot door (1) should be placed, so that the fire tube can be cleaned from above while the door of the insert remains closed.

#### **Mounting the smoke pipe (Drawing A1)**

First mount the joining flange (2) with a suitable length of fire tubing or flexible tubing (3). Push the inner pipe into the connector. The inner pipe must be turned so that the handle goes as far as possible into the connector.

Trim approximately 3 fireproof batts of 50 mm each (4) so that they fit tightly into the chimney space and cut a hole in the centre to fit tightly around the tube.

Place the fire tube in the chimney so that the joining flange corresponds to the given measurements.

- a. Distance from front edge of the brick hole, if the insert must be flush with the brickwork.
- b. Height over the bottom of the insert.



Now push the three batts up around the fire tube and press them up into the chimney thereby achieving a compact and tight-fitting seal.

### **Installing the outer casing (Drawing A2)**

If you would like to mount hoses in order to distribute a portion of the convection heat to other rooms, push the two plates on each side of the smoke outlet hole on the casing outwards (see drawing H).

Push the outer casing (6) into place at the bottom of the fireplace. Carefully ensure that the outer casing is level and that its front edge is flush with the brickwork. The three adjustment screws in the bottom of the casing can be used for fine adjustment so that the casing is completely level (drawing F). Screw the connector to the building-in cassette with the help of the self-tapping screws supplied.

If the gap between the fireplace aperture and the outer casing is to be closed with brickwork, there must be a minimum distance of 5 mm around the outer casing. The brickwork above the outer casing must therefore be self-supporting. Attach the casing to the masonry with 1-3 screws in the base.

### **Mounting the insert (Drawing A3)**

Remove the smoke shelf (7) from the insert. Remove the smoke deflector plate (8) from the insert. Attach an Ø6 mm seal to the bottom of the smoke outlet bushing. Then push the insert into place in the brickwork casing. Push the inner pipe all the way into the liner's smoke outlet connector. Afterwards, remount the smoke deflector plate (8) and smoke shelf (7).

Seal between fire tube and chimney on top of the batts using heatproof mortar (5). This can be done through the soot door (1) of the chimney, and should only be done when the insert is assembled.

### **Connecting external supply of fresh air**

The HWAM I 30/55 can be connected to fresh air systems. The fresh air system can be purchased separately.

## **2. Restructuring of brickwork around insert**

During the reconstruction, the outer casing should be carefully levelled off at a suitable height. As the reconstruction progresses, there should be a gap of min. 5 mm between the brickwork and the outer casing. The frame of the outer casing has a width of 25 mm, though only 20 mm at the top. Any brickwork stretching across the outer casing must be self-supporting. Remember the screws between the outer casing and the wall.

Fire tubes and any convection ducts to other rooms should be fitted to the outer casing during the reconstruction.

The outer casing is not load-bearing. Therefore, fire tubes exceeding 2 m in length and, possibly, the chimney, must be secured (using hangers) thus avoiding putting any load on the outer casing.

When the reconstruction has been completed, mount the insert as described in point 1.

### **Fitting the loose parts (Drawing C)**

Before you start using the insert, you must ensure that all loose parts are fitted correctly.

a. Smoke plate (1). Must lie on the rear plate and on the slanting side plates. It must fall into position in the track on the rear plate.

- b. Steel smoke deflector plate (2). Is mounted on two hooks. To mount the plate, lift it up and lead to the right until it is hanging on the two hooks.

## FIRING MANUAL — WOOD

---

### Your first heating session

When you light up for the first time, you must do it carefully as all materials must be introduced to the heat gradually. The lacquer will be fully hardened after the insert has been light up for the first time. The door must be opened carefully; otherwise there is a risk that the seals will stick to the lacquer. In addition the lacquer may initially give off an unpleasant odour, so make sure that the room is well ventilated.

### Tips about fuel:

#### Approved fuel types

The insert is EN approved for combustion of wood only. It is recommended to use dried chopped wood with a water content of a maximum of 20%. Stoking a fire with wet wood results in soot, environmental problems, and a less efficient fuel economy.

#### Recommended wood types

All types of wood, for instance birch, beech, oak, elm, ash, conifers, and fruit trees can be used as fuel in your insert. The great difference is not in the fuel value, but in the weight of the wood types per cubic metre. Since beech weighs more per cubic metre than for instance common spruce, it will take more common spruce to produce the same amount of heat that you would get from a cubic metre of beech.

#### Banned fuel types

It is not allowed to stoke a fire with the following:

- Printed matter
- Plywood, plastic
- Rubber
- Fluid fuels
- Rubbish such as milk cartons, lacquered wood or impregnated wood.

The reason that you should not apply any of the above is that during combustion they develop substances that are health hazardous and harmful to the environment. These substances could also damage your insert and chimney, rendering the product warranty void.

#### Storage of wood

A water content of a maximum of 20% is achieved by storing the wood for a minimum of one year, preferably two years, outdoors under a lean-to. Wood stored indoors has a tendency to become too dry and combust too quickly. However, it might be advantageous to store fuel for lighting a fire indoors for a few days prior to use.

#### Recommended dimensions

The dimensions of the fuel are important to good combustion. The dimensions should be as follows:

Fuel type	Length in cm	Diameter in cm
Wood for kindling a fire (finely chopped)	25-35	2-5
Chopped wood	30-40	7-9

## **Opening and closing the door**

Always hold the handle in the middle when opening and closing the door to avoid putting uneven pressure on the door lift mechanism.

Please note that it is important not to let go of the handle when opening and closing the door. The glass could be damaged if the door is allowed to open or close on its own.

## **Regulating the insert (Drawing E)**

The adjustment bar (1) is located behind the glass. The automatic control function is set to maximum when the adjustment bar is set to the rightmost position, and minimum when the bar is set to the leftmost position.

## **Firing**

Push the adjustment bar all the way to the right to set the automatic control to maximum effect. Put split kindling, corresponding to two to three pieces of wood (about 2 kg), into the insert. Put two fire lighters in between the upper layer of kindling. Light them and allow the flames to spread slowly. Keep the door ajar until no more condensation forms on the glass (for a maximum of 5 min.). Close the door. When the kindling is burning well, push the output regulating rod into middle position. If the fire goes out, this has been done too early. Push the regulating rod to the right again until the fire is burning properly. Allow the kindling to burn out until flames are no longer visible.

**Important!** The door may only be opened when lighting the insert, adding fuel to the fire or removing ash.

## **Burning**

When there are no more visible yellow flames, and a right ember is there, you can fire again. The layer of embers is suitable when the pieces of wood begin to disintegrate and the bottom of the insert is covered by embers. Put two or three pieces of wood weighing up to 1 kg each into the insert. The automatic control manages the regulation of air supply.

The temperature can, however, be set up or down by pushing the regulation bar either to the right or left, respectively. If the adjustment bar is set farther to the left, combustion is reduced and the burning time is prolonged. By pushing it to the right, combustion is increased and burning time is shortened. Do not add new firewood to the fire until the layer of embers is sufficiently low.

## **Burning coal, briquettes and coke**

The HWAM I 30/55 is not designed for burning with coal or coke. However, briquettes can be used and should be placed on the embers produced by the burned wood. Push the adjustment bar all the way to the right until the briquettes are smouldering.

**Remember that the adjustment bar should afterwards be pushed to the left again to reduce combustion. Be aware that using fuels other than wood, will cause soot to form on the glass pane.**

# IN GENERAL ABOUT FIRING

---

## **Quick or strong heat**

Quick or strong heat is obtained by burning many small pieces of wood.

## **Maximum amounts of fuel**

The maximum allowed amount of fuel per hour is:

Wood: 2.4 kg      Briquettes: 1.9 kg

Typical re-firing interval at nominal performance

Wood: 65 min      Briquettes: 65 min

Should these limits be exceeded, the insert will no longer be covered by the factory guarantee, and it may be damaged due to excessive heat. The stove has been approved for intermittent use.

## **Prolonged burning time**

Prolong the burning time by burning a few (at least 2) very large pieces wood whilst at the same time regulating the damper down.

## **Insufficient firing**

If the fireproof materials in the combustion chamber are blackened after a heating session, the insert is polluting, and the automatic air flow regulation system is not functioning properly. The bar must therefore be pushed to the right. Also, it may be necessary to burn more wood.

## **Types of fuel**

We recommend using birch or beechwood, which has been split and stored for at least one year outdoors under cover. Wood stored indoors tends to become too dry and burn too quickly.

Briquettes give off a lot of heat. Certain types expand considerably, thus causing an uncontrollable combustion.

## **When burning is complete**

When the insert is not in use, push the adjustment bar all the way to the left.

## **How to achieve the best combustion**

### **• Use clean and dry wood.**

Wet wood results in inefficient combustion, plenty of smoke, and soot. Furthermore, the heat will dry the wood, not heat up the room.

### **• The fire should only be stoked with a little wood at a time.**

You achieve the best combustion by starting up a fire often and using only a little wood. If you use too much firewood, it will take some time before the temperature reaches a level where you achieve a good combustion.

### **• Make sure there is the right amount of air.**

You should also make sure that there is plenty of air – especially in the beginning - so the temperature in the insert climbs quickly. In this way the gasses and particles released during the combustion will be consumed by the fire. Otherwise they build up soot in the chimney (constituting a chimney fire risk) or will be released in a non-combusted state into the environment. The wrong amount of air supply creates inefficient combustion and a modest effect.

### **• Don't savour the fire during night time**

We advise against adding fire wood to your stove and reducing the air supply at night in an attempt to

still have some embers left in the morning. If you do so, large amounts of hazardous smoke will be emitted, and your chimney will be exposed to unnecessarily large amounts of soot with the risk of a chimney fire.

## CLEANING

---

### External cleaning

Cleaning of the insert should only be performed when it is not in use/cool. Daily maintenance is limited to a minimum. It is easiest to vacuum the outside of the insert with a tiny nozzle with soft brushes.

### Cleaning the glass (drawing G)

If it becomes necessary to clean the inside of the glass pane, lift the door halfway up and pull out the two top guide latches **(1)** on each side of the door in order to loosen them from the screws **(2)**. The glass can then be tilted out and cleaned. Once the glass is clean, lift the door again halfway up, pull out the top guide latches on the sides, ease the glass pane into place, and lead the guide latches back into place over the screws.

The inside of the glass pane is best cleaned with damp paper towel dipped in ash. Afterwards, dry with a clean paper towel.

The outside of the glass can be cleaned with ordinary cleaning solvent used to polish surfaces. We recommend wiping down the window pane when the insert is not in use/cool.

### Ash

We recommend removing ash from the combustion chamber with an ash suction device.

Ash can be disposed of through daily refuse collection. Be aware that embers in the ash can remain hot up to 24 hours after the fire in the insert has gone out!

## MAINTENANCE

---

### Maintenance

Regularly ensure that the air slit for the pane air rinse function **(drawing C, 3)** is free of ash and soot particles. Regularly check to make sure that seals in the door are complete and soft. If not, they should be replaced. Use only original spare parts.

The insert should be thoroughly cleaned once a year. Ash and soot must be removed from the combustion chamber. If necessary, lubricate the door lift mechanism with copper grease.

### Service inspection

At least once every other year, the insert should receive a thorough, preventative service inspection. Among other things, the service inspection covers:

- A thorough cleaning of the insert.
- Inspection of the door lift mechanism and lubrication with copper grease if necessary **(drawing B, 1)**.
- Check the spring in the automatic unit and replace if necessary.
- Checking gaskets. Replace gaskets if they are not intact or are no longer soft.
- Inspection of springs for chain drive. Inspection to ensure that the chain drive is equal on both sides, and that the door closes tightly all the way around.
- Inspection/possible replacement of heat insulation material.

**The inspection must be performed by a qualified professional.**

**Use only original spare parts.**

### **Cleaning**

Before chimney sweeping can be performed, the adjustment bar must be set all the way to the left to prevent soot and ash from entering the automatic control.

### **Drawing C**

Remove the smoke shelf (1). Push the plate forward and lift it up a bit to the side. Tilt one side downward. The plate is now free and can be removed from the combustion chamber. Lift the steel smoke deflector plate (2) off of the hooks so that it can be removed.

### **Insulation**

The efficient, but porous insulation of the combustion chamber may, in time, be worn and damaged. Cracks in the insulation are irrelevant to the efficiency of the insert. However, it should be replaced when, due to wear and tear, it has been reduced to less than half its original thickness.

### **HWAM automatic™**

On a cold stove, the starting point of the feeler is controlled. The starting point on a cold stove is about 30° above horizontal. It should feel easy going and bouncy when you push it, no matter if the stove is cold or hot. By rising or falling temperatures it must not move at a bound. The damper plates must be dry and clean and slide together unhindered. Control bars and slide gates may have to be smeared with WD40 (never oil).

### **Door lift (Drawing B)**

The door lift mechanism consists of a chain pull placed on either side of the stove and a spring. If the door opens with difficulty, you may correct this by greasing the chain wheel boxes and door hinges (1) with copper grease (we recommend a grease that can withstand temperatures of up to 1,100° C). You should do this once every year. If the door still opens and closes too stiffly, the spring on the door lift mechanism can be loosened slightly. If the door slides too easily, the spring has loosened. The spring can be loosened or tightened as follows:

Remove the liner from the building-in cassette. Make sure the door of the combustion chamber (3) is closed. Attach the tightening tool (4) supplied with the stove to the toothed wheel (5). To tighten the spring so that the door closes more slowly (or can remain fully open), turn the toothed wheel (5) clockwise slightly. This can be done by turning the tightening tool (4) counter-clockwise. To loosen the spring so that the door closes faster (or can no longer remain fully open), lift the locking pawl (6) and turn the toothed wheel (5) counter-clockwise slightly. This can be done by turning the tightening tool (4) clockwise. **IMPORTANT!** Keep a firm grip on the handle of the tightening tool (4) when lifting the locking pawl as considerable weight and force are transferred when it is lifted.

After each adjustment, check to see whether the desired effect has been achieved. If not, repeat the process. If you have loosened the spring, we recommend holding the door handle when checking the effect for the first time to ensure that the spring has not become so loose that the door closes too fast with the risk of damaging the glass.

**Please Note:** You should always have a professional adjust, grease and repair these parts.

## **Surface**

The surface does not normally require any treatment. Any damage to the coating may be remedied using a Senotherm spray.

## **Guarantee**

The guarantee does not cover damage due to insufficient maintenance!

# OPERATIONAL PROBLEMS

---

## **Blackened glass**

- The wood is too damp. Only use wood stored for at least 12 months under cover and with a moisture level not exceeding 20%.
- The doors seals may be not be tight.
- Insufficient secondary air introduced to the pane-flushing system. Push the adjustment bar further to the right until the glass is burned clean.
- Intermittent firing. Allow the insert to heat through properly.

## **Smoke in the room when opening door**

- The damper in the chimney may be closed. Open the damper.
- Insufficient chimney draft. See section on chimney or contact chimney sweep.
- Soot door leaking or dislodged. Replace or refit.
- Never open door when there are still flames in the wood.

## **Uncontrollable combustion**

- A seal in the door is not completely tight. Replace the seal.
- If the draught is too strong inside the chimney, it may be necessary to set the adjustment bar to minimum, i.e. to the left.

**If problems occur that you cannot fix yourself, please consult your wood-burning stove dealer.**

# DECLARATION OF CONFORMITY

---

Manufacturer:

HWAM A/S

Nydamsvej 53

DK – 8362 Hørning

Denmark

hereby declares that:

Product:	Type:
Wood-burning stove	HWAM I 30/55

was manufactured in accordance with the provisions of the following directive:

Reference no.	Title:
89/106/EEC	Construction Products Directive – CPD

and the following harmonised standards:

No:	Title:	Version:
EN 13229	Insert appliances including open fires fired by solid fuels	2001
EN 13229/A2	Insert appliances including open fires fired by solid fuels	2004

and other standards and/or technical specifications

No:	Title:
NS 3058	Enclosed wood heaters - Smoke emission
NS 3059	Enclosed wood heaters - Smoke emission - requirement

Hørning, 18.02.2008

---

  
Torsten Hvam Sølund  
Factory and Quality Manager



### **Wettelijke voorschriften**

Bij de installatie van uw inbouw in een nieuwe, nog niet goedgekeurde kachel dienen steeds zowel alle wettelijke voorschriften als de plaatselijk geldende bouwvoorschriften te worden gerespecteerd. Het is altijd een goed idee om uw schoorsteenveger om raad te vragen voor u de inbouw cassette installeert.

### **Ruimtelijke vereisten**

In de ruimte waar de inbouw cassette geplaatst wordt, dient voor voldoende toevoer van verse lucht te worden gezorgd. Een raam dat geopend kan worden of een regelbaar luchtventiel is doorgaans voldoende.

Let op: niet alle soorten glas zijn hittebestendig. Daarom moet een glazen wand in sommige gevallen als een brandbare wand worden beschouwd. Neem contact op met een plaatselijke schoorsteenveger of glasproducent om de juiste afstand tot glas na te gaan.

### **Afstand tot brandbaar materiaal**

Wij verwijzen naar de plaatselijke bouwvoorschriften voor de omvang van het brandveilige gebied vóór de haard.

Bij vloeren van brandbaar materiaal moet het inzetstuk min. 30 cm boven de vloer worden geplaatst.

Als zich rondom de inbouw cassette brandbaar materiaal bevindt, moet er minimaal 40 mm onbrandbaar isolatiemateriaal tussen de cassette en het brandbare materiaal worden aangebracht. Dit geldt voor alle cassetteoppervlakken. Het warmtegeleidingsvermogen van het isolatiemateriaal moet kleiner zijn dan  $0,09 \text{ W/m} \times \text{K}$  (gemeten bij een temperatuur van  $200^\circ \text{C}$ ). Het warmtegeleidingsvermogen moet dus lager zijn dan  $0,09 \text{ W/m} \times \text{K}$ .

### **Eisen aan het rookgasafvoerkanaal**

Het rookgasafvoerkanaal moet aan de wettelijke en lokale voorschriften voldoen. De lengte dient dusdanig te zijn dat een goede trek gewaarborgd is en er geen storende rook ontstaat. Nominale trek: 12 Pa.

Het kanaal moet een diameter hebben van minimaal 150 mm.

De diameter van het kanaal moet echter altijd groter of gelijk zijn aan de diameter van de uitlaat van de cassette. Het kanaal dient te zijn voorzien van gemakkelijk toegankelijke veegdeur of inspectieluik.

### **De schoorsteen**

De schoorsteen is de motor van de inbouw module en allesbepalend voor de werking van de kachel. De schoorsteentrek geeft een onderdruk in de kachel. Deze onderdruk verwijdert de rook uit de kachel, zuigt lucht door de klep naar de zgn. smookklep, die de ruit vrij van roet houdt, en zuigt lucht aan door de primaire en secundaire kleppen voor de verbranding.

De schoorsteentrek ontstaat door het temperatuurverschil tussen de inwendige en uitwendige schoorsteen. Hoe hoger de temperatuur in de schoorsteen, hoe beter de schoorsteentrek. Het is daarom belangrijk dat de schoorsteen goed is opgewarmd voordat u de schuiven sluit en de verbranding in de kachel vermindert (een stenen schoorsteen is niet zo snel warm als een stalen schoorsteen).

Als de schoorsteen door weer en wind slecht trekt, is het des te belangrijker dat deze zo snel mogelijk warm wordt. Hoe eerder er vlammen zijn, hoe beter. Kloof het hout extra fijn, gebruik een extra stuk

aanmaakhout, enz. Als de kachel enige tijd buiten gebruik is geweest, is het van belang dat de schoorsteenbuis op verstoppingen wordt gecontroleerd.

Er kunnen verschillende voorzieningen op één schoorsteen worden aangesloten. Wel moet eerst worden nagegaan welke voorschriften hiervoor gelden.

Zelfs een goede schoorsteen kan slecht functioneren indien hij verkeerd wordt gebruikt. Zo kan een slechte schoorsteen eveneens functioneren bij goed gebruik.

### **Reiniging van de schoorsteen**

De schoorsteen moet jaarlijks worden geveegd om te voorkomen dat er brand in ontstaat. De rookafvoerbuïs en de rookkamer boven de stalen rookgeleidingsplaat moeten samen met de schoorsteen worden gereinigd. Als reiniging van de schoorsteen van bovenaf onmogelijk is vanwege de hoogte van de schoorsteen, moet er een reinigingsluikje worden aangebracht.

Als er in de schoorsteen brand ontstaat, moeten alle kleppen worden gesloten en moet de brandweer worden gewaarschuwd. De schoorsteen mag pas weer in gebruik worden genomen, wanneer deze door een schoorsteenveger is geïnspecteerd.

Testresultaten van nominale test EN 13229

Nominale warmteopbrengst 6,0 kW

Rooktemperatuur 259°C

Stroming rookgasmasa 6,5 g/s

## **MONTAGE EN AANSLUITING (TEKENING A)**

---

HWAM I 30/55 bestaat uit een losse, uitwendige inbouw cassette en een losse inbouw module, die na montage van de inbouw cassette op zijn plaats wordt geschoven en wordt aangesloten.

### **HWAM I 30/55 kan op 2 manieren worden aangesloten:**

1. Montage en aansluiting in een bestaande open haard en/of op een bestaand rookgasafvoer kanaal.
2. Plaatsing in nieuw metselwerk, waarbij eventuele warme convectielucht naar andere vertrekken wordt geleid.

#### **1. Montage en aansluiting in een bestaande constructie (tekening A1-A3)**

Bij plaatsing in een bestaande open haard, dient de reguleringsschuif in de bestaande schoorsteen te worden verwijderd, en het eventuele rookkanaal te worden vergroot, zodat het rookkanaal van de inbouw module rechtstreeks op de schoorsteen kan worden aangesloten. Eventuele kantstenen op de bodem van de haard dienen verwijderd te worden.

Spreek op voorhand met een vakman of schoorsteenveger af waar u een veegluik (1) dient aan te brengen zodanig dat het rookkanaal gereinigd kan worden terwijl de deur van uw kachel gesloten blijft.

#### **Montage rookbuis (tekening A1)**

Eerst wordt de aansluitflens (2) gekoppeld aan een stuk afvoerbuïs, flexibel en met voldoende lengte (3). Schuif de binnenste buïs in de aansluitmof. Draai de binnenste buïs zodanig dat de handgreep zo ver mogelijk de aansluitmof in komt.

Snij ca. 3 stukken (50 mm) vuurvaste mineraalwolpakking (4), zodanig dat ze net passen in het schoorsteengat, en snij in het midden een gat dat strak om de buis klemt.

Plaats de rookbuis zodanig in het schoorsteengat dat de aansluitflensen overeenkomen met de opgegeven maten:

- a. De afstand vanaf de voorzijde van het muurgat wanneer de inbouw een vlak vormt met de muur.
- b. De lengte tot aan de bodem van de kachel.

Druk nu de 3 mineraalwolpakkingen omhoog, rond de rookbuis, in het schoorsteengat, zodanig dat dit volledig wordt afgedicht.

### **Montage van de cassette (tekening A2)**

Als u slangen wilt monteren om een deel van de convectiewarmte over andere ruimten te verdelen, drukt u de twee platen aan weerszijden van het rookafvoergat van de cassette naar buiten (zie tekening H).

Schuif de inbouwkast (6) op zijn plaats. Zorg ervoor dat de inbouwkast waterpas staat, en dat de voorkant gelijk ligt met het metselwerk. Gebruik de 3 stelschroeven in de bodem van de cassette om de cassette goed af te stellen, zodat deze waterpas staat (tekening F). Schroef de aansluitmof aan de inbouwcassette vast met behulp van de bijgeleverde zelftappende schroeven.

Als de ruimte tussen de haardopening en de inbouwcassette wordt afgesloten met metselwerk, dient dit zo aan te sluiten dat er minimaal 5 mm ventilatieruimte overblijft aan de kant van de cassette. Het frame van de inbouwcassette is 15 mm breed. Het metselwerk boven de cassette moet daarom zelfdragend zijn. Bevestig de cassette aan het metselwerk met 1-3 schroeven in de bodem.

### **Montage inbouwmodule (tekening A3)**

Haal de rookplaat (7) uit de inbouwmodule. Haal de rookgeleidingsplaat (8) uit de inbouwmodule. Leg een pakking van Ø6 mm op de bodem van de rookafvoermof. Trek de binnenste buis helemaal naar beneden in de rookafvoermof van de inbouwmodule. Monteer daarna de rookgeleidingsplaat (8) en de rookplaat (7).

Voeg nu met vuurvaste mortel (5) tussen de rookbuis en de schoorsteen boven op de mine-raalwolpakkingen. Dit doet u door het schoonmaakluik (1) in de schoorsteen en mag alleen gebeuren wanneer de installatie compleet is.

### **Aansluiting van verse buitenlucht**

HWAM I 30/55 is geschikt voor een verseluchtsysteem. Het verseluchtsysteem is apart verkrijgbaar.

## **2. Nieuw metselwerk rondom de inbouwkachel**

Tijdens het opmetselen plaatst u de stalen inbouwkast waterpas op de gewenste hoogte. Tijdens het metselen dient u te zorgen voor een ruimte van minimaal 5 mm tussen muur en inbouwcassette. Het frame van de inbouwcassette is 25 mm breed, maar slechts 20 mm bovenaan. Het metselwerk boven de cassette dient zelfdragend te zijn. Denk aan de bevestigingsschroeven tussen cassette en muur.

De rookgasafvoerpijp en de eventuele convectiebuisen naar andere vertrekken kunnen op de kast worden gemonteerd.

De inbouwcassette is niet dragend, zodoende dienen rookbuizen langer dan 2m – en eventueel ook de schoorsteen – te worden vastgezet zodat het gewicht niet op de cassette rust.

Als het metselwerk klaar is monteert u de inbouwkachel zoals beschreven onder punt 1.

## Het monteren van afzonderlijke delen (tekening C)

Controleer voor het gebruik van de oven of alle afzonderlijke delen correct gemonteerd zijn.

- a. Rookschot (1). Deze plaat moet op de achterplaat en de schuine zijplaten rusten. Het schot moet op zijn plaats vallen in de groef op de achterplaat.
- b. Stalen rookgeleidingsplaat (2). Zit met twee haken vast. Monteer de plaat door deze op te tillen en naar rechts te bewegen totdat de plaat aan de twee haken is vastgehaakt.

# HANDLEIDING STOKEN – HOUT

---

## De eerste keer dat u stookt

De eerste keer dat u de inbouwmodule aansteekt dient u voorzichtig te werk te gaan, daar alle materialen moeten wennen aan de hitte. De lak wordt afgehard wanneer de kachel voor het eerst brandt. Open de deur heel voorzichtig om te voorkomen dat de pakkingen aan de lak blijven vastplakken. Bovendien kan de lak een onaangename geur produceren, dus zorg voor goede ventilatie.

## Belangrijke brandstofinformatie:

### Toegestane typen brandstof

Uw houtkachel is uitsluitend EN-goedgekeurd voor hout. U kunt het beste droog, gekloven hout gebruiken met een vochtgehalte van maximaal 20%. Als u met vochtig hout stookt ontstaat er roet. Bovendien is dit slecht voor het milieu en is het stookrendement laag.

## Aanbevolen houtsoorten

Alle soorten hout bijvoorbeeld berken, beuken, eiken, iepen, essen, naaldhout en vruchtenhout zijn geschikte brandstoffen voor uw kachel. Het grote verschil tussen de verschillende houtsoorten is niet de brandwaarde, maar het gewicht per kubieke meter. Aangezien beukenhout per kubieke meter meer weegt dan bijvoorbeeld sparrenhout is er meer sparrenhout dan beukenhout nodig om dezelfde hoeveelheid warmte te krijgen.

## Niet toegestane typen brandstof

Er mag niet met de volgende materialen worden gestookt:

- Bedrukt materiaal
- Spaanplaat
- Plastic
- Rubber
- Vloeibare brandstoffen
- Afval zoals melkpakken
- Gelakt, beschilderd of geïmpregneerd hout.

Er mag met bovenstaande materialen niet worden gestookt omdat ze bij verbranding stoffen afgeven die schadelijk zijn voor de gezondheid en het milieu. Bovendien kunnen deze stoffen uw kachel en uw schoorsteen beschadigen. De garantie komt daarbij te vervallen.

## Opslag van hout

Een vochtgehalte van maximaal 20% komt tot stand als u het hout minimaal één jaar, maar liefst twee jaar buiten onder een afdak bewaart. Hout dat binnen wordt bewaard, wordt al gauw te droog en brandt daardoor te snel. Het is echter wel zinvol aanmaakhout een paar dagen vóór gebruik binnen te leggen.

## Aanbevolen afmetingen

Hoe goed de verbranding is, is sterk afhankelijk van de afmetingen van het hout. De volgende afmetingen worden aanbevolen:

Type hout	Lengte in cm	Diameter in cm
Aanmaakhout (kleine stukken)	25-35	2-5
Gekloven brandhout	30-40	7-9

## Bediening van de deur

Om te voorkomen dat het tilmechanisme van de deur ongelijk aanspant, pakt u het handvat bij het openen en sluiten van de deur altijd in het midden vast.

Let op: het is belangrijk dat u de handgreep vasthoudt terwijl u de deur opent of sluit. Als de deur uit zichzelf dichtvalt kan het glas worden beschadigd.

## Regeling van de kachel (tekening E)

De regelstang (I) bevindt zich achter de ruit. De automaat is ingesteld op maximaal vermogen als de regelstang helemaal naar rechts staat en op minimaal vermogen als de stang helemaal naar links staat.

## Aansteken

Schuif de regelstang helemaal naar rechts om de automaat in te stellen op maximaal vermogen. Leg een hoeveelheid aanmaakhoutjes die overeenkomt met ongeveer 2-3 houtblokken (ongeveer 2 kg) in de kachel. Leg twee aanmaakblokken in de bovenste laag aanmaakhoutjes. Steek ze vervolgens aan en laat het vuur zich rustig verspreiden. Laat het deksel op een kier staan, tot zich op de ruit geen condens meer vormt (max. 5 min.). Sluit nu het deksel. Zet zodra alle aanmaakhoutjes goed vlam hebben gevat de regelstang voor de vermogensregeling in de middelste stand. Dreigt het vuur nu te doven, dan is het nog te vroeg om de regelstang te verschuiven. Zet de regelstang weer in de rechterstand, totdat het vuur beter op gang is gekomen. Laat de aanmaakhoutjes helemaal uitbranden, tot er geen zichtbare vlammen meer zijn.

**Belangrijk!** De deur mag alleen worden geopend om de kachel aan te maken, hout bij te vullen en as te verwijderen.

## Verbranden

Zodra u geen gele vlammen meer kunt zien en er een goede laag gloeiende kool is kunt u opnieuw hout toevoegen. De aslaag is goed wanneer de houtblokken uit elkaar vallen en de bodem bedekt is met gloeiende as. Leg 2-3 nieuwe stukken brandhout van max. 1 kg per stuk op het vuur. De automaat regelt de luchttoevoer. De temperatuur kan echter omhoog of omlaag worden bijgesteld door de regelstang naar links of naar rechts te schuiven. Als de regelstang verder naar links wordt gezet, wordt de verbranding geringer en de verbrandingstijd langer. Als de stang naar rechts wordt gezet, wordt de verbranding groter en de verbrandingstijd korter. Wacht met bijvullen tot de aslaag weer laag genoeg is.

## Stoken met steenkool, briketten en "supercokes"

HWAM I 30/55 is niet geschikt om op kolen en cokes te stoken. U kunt echter wel stoken met briketten die op de as van het hout worden gelegd. Zet de regelstang helemaal naar rechts totdat de briketten goed gloeien.

**Vergeet niet de regelstang hierna weer naar links te schuiven om de verbranding te verkleinen. Wees opmerkzaam op het feit dat stoken met andere brandstoffen dan hout, roet op de ruit als gevolg kan hebben.**

# ALGEMEEN

---

## **Snelle of krachtige warmte**

Snelle of krachtige warmte kan worden bereikt door vele maar kleine stukken te verbranden.

## **Maximale verbranding**

De volgende hoeveelheden brandstof mogen maximaal per uur worden verstoekt:

Hout: 2,4 kg      Briketten: 1,9 kg

Gebruikelijke bijvulinterval bij nominale capaciteit

Hout: 65 min      Briketten: 65 min

Wordt deze grens overschreden, dan valt de inbouwmodule niet alleen niet langer onder de fabrieksgarantie maar kan ook door oververhitting beschadigd worden. De houtkachel is goedgekeurd voor periodiek gebruik.

## **Lange brandtijd**

Een lange brandtijd kan worden bereikt door weinig (min. 2) maar wel zeer grote stukken hout te verbranden en tegelijkertijd de schuifklep zo laag mogelijk in te stellen.

## **Te koud stoken**

Als de vuurvaste materialen zwart zien na het stoken dan is er sprake van verontreiniging en functioneert de automaat niet optimaal. Daarom moet de regelstang naar rechts worden gezet. Bovendien kan het nodig zijn een grotere hoeveelheid hout te verbranden.

## **Brandstoftypen**

Wij adviseren het gebruik van stukken gehakt berken- of beukenhout dat minstens 1 jaar buiten onder een afdak heeft gelegen. Hout dat binnen wordt bewaard wordt vaak te droog en verbrandt derhalve te snel.

Briketten geven veel warmte af. Sommige typen zetten echter snel uit, met als gevolg een niet te controleren verbranding.

## **Na het stoken**

Als de kachel niet in gebruik is moet de regelstang helemaal naar links worden gezet.

## **Zo ontstaat een optimale verbranding**

### **• Gebruik schoon en droog hout.**

Vochtig hout heeft een slechte verbranding en veel rook en roet tot gevolg. Bovendien wordt de warmte gebruikt om het hout te drogen en niet om de ruimte te verwarmen.

### **• Verstoek niet te veel hout tegelijk.**

Als er vaak en met niet al te veel hout wordt gestookt is de verbranding optimaal. Als u te veel brandhout in de kachel legt duurt het te lang voordat de temperatuur hoog genoeg wordt voor een goede verbranding.

### **• Zorg voor voldoende luchttoevoer.**

Zorg voor voldoende lucht vooral wanneer u begint te stoken zodat de temperatuur in de kachel snel genoeg oploopt. Alleen dan verbranden namelijk de gassen en deeltjes die vrijkomen tijdens het verbrandingsproces. Deze hechten zich anders in de vorm van roet aan de schoorsteenwand (waarvoor een schoorsteenbrand kan ontstaan) of ze komen onverbrand in het milieu terecht. Een onjuiste luchttoevoer brengt een slechte verbranding en onvoldoende rendement met zich mee.

- **Laat het vuur 's nachts niet laag branden**

We raden u af om 's avonds hout in de kachel te leggen en de luchttoevoer laag te draaien in een poging om het vuur tot de ochtend smeulend te houden. Als u dat doet stoot de houtoven grote hoeveelheden schadelijke rook uit en wordt uw schoorsteen aan onnodig veel roet blootgesteld, wat risico op een schoorsteenbrand oplevert.

## REINIGING

---

### **Uitwendige reiniging**

De inbouwmodule mag alleen worden schoongemaakt als deze koud is. Het dagelijks onderhoud is minimaal. Het eenvoudigste is de module uitwendig te stofzuigen met een klein mondstuk met een zachte borstel.

### **Reiniging van de ruit (tekening G)**

Om de binnenkant van de ruit schoon te kunnen maken moet de deur half worden opgetild en moeten de twee geleidepennetjes (1) links- en rechtsboven aan de achterkant van de deur opzij worden geduwd, zodat ze loskomen uit de schroeven (2). Hierna kan de ruit worden verwijderd en schoongemaakt. Als de ruit schoon is moet de deur weer half worden opgetild en moeten de geleidepennetjes opzij worden geduwd waarna de ruit op zijn plaats kan worden gezet en de geleidepennetjes weer in de schroeven kunnen vallen.

U kunt de binnenkant van de ruit het beste schoonmaken met een vochtig stukje keukenrol dat u in de as heeft gedoopt. Droog de ruit daarna af met een schoon stukje keukenrol.

Maak de buitenkant van de ruit schoon met een gewoon schoonmaakmiddel voor gladde oppervlakken, bijv. glasreiniger. Aanbevolen wordt de ruit schoon te maken als de kachel koud is.

### **As**

De as kan het beste uit de verbrandingskamer worden verwijderd met een aszuiger.

De as kan bij het gewone huisvuil. Denk eraan dat de as tot 24 uur nadat het vuur is gedoofd nog gloeiende deeltjes kan bevatten!

## ONDERHOUD

---

### **Onderhoud**

Controleer regelmatig of de luchtspleet voor de ruitspoeling (**tekening C, 3**) as- en roetvrij is. Controleer regelmatig of de pakkingen in de deur gaaf en soepel zijn. Vervang ze zo nodig. Gebruik alleen originele pakkingen.

De inbouwmodule heeft één keer per jaar een grondige onderhoudsbeurt nodig. Verwijder as en roet uit de verbrandingskamer. Smeer evt. het deurbeslag in met kopervet.

### **Service-inspectie**

De inbouwmodule moet minimaal één keer per twee jaar worden onderworpen aan een grondige, preventieve service-inspectie. De service-inspectie bestaat o.a. uit:

- Een grondige reiniging van de inbouwmodule.
- Controle van het deurbeslag en evt. smering met kopervet (**tekening B, 1**).
- Vervanging van de veren in de automatiek en eventueel vervanging.

- Controle van de pakkingen. De pakkingen moeten worden vervangen als ze niet meer gaaf en soepel zijn.
- Controle van de veer voor de kettingtractie. Controleer of de tractie van de kettingen aan beide kanten gelijk is en of de deur rondom goed aansluit.
- Controle en zo nodig vervanging van warmte-isolerend materiaal.

**De inspectie moet door een erkende monteur worden verricht.**

**Gebruik alleen originele reserveonderdelen.**

## Reiniging

Voordat er geveegd wordt moet de regelstang helemaal naar links worden gezet om te voorkomen dat er roet en as in de automaat terechtkomen.

## Tekening C

Verwijder de rookplaat (1). Schuif de plaat naar voren en til deze omhoog en iets opzij. Kantel een van de zijkanten naar beneden. De plaat is nu los en kan uit de verbrandingskamer worden gehaald. Til de stalen rookgeleidingsplaat (2) los van de haken en verwijder vervolgens de plaat.

## Isolatie

Het effectieve maar poreuze isolatiemateriaal van de brandkamer kan metertijd slijten of beschadigd raken. Het barsten van het isolatiemateriaal heeft geen gevolgen voor de werking van de kachel. Het materiaal dient echter vervangen te worden zodra de slijtage de helft van de oorspronkelijke dikte overschrijdt.

## Mechanisme

Controleer de uitgangspositie van de voelarm. Het uitgangspunt bij een koude kachel is ca. 30° boven waterpas. De voelarm moet gemakkelijk meegeven als u er tegen duwt, zowel bij een koude als warme kachel. Bij een stijgende of dalende temperatuur, mag de voelarm niet haperen. De platen met luchtklep-pen moeten droog en schoon zijn en zonder moeite in elkaar schuiven. De regelstangen en schuifplaat moeten eventueel met WD40 (nooit met olie) worden gesmeerd.

## Deurlift (Tekening B)

Het mechanisme van de deurlift bestaat uit een trekking, die aan weerszijden van de kachel is aangebracht, en een veer. Als de deur traag beweegt, kan dit worden verholpen door de bussen van de kettingwielen en de scharnieren van de deur (1) te smeren met kopervet (we raden aan dat deze 1100° C aan moet kunnen). Dit moet één keer per jaar worden gedaan. Als de deur te langzaam blijft openen kunt u de veer van het deurbeslag wat losser maken.

De veer kan op de volgende wijze losser worden gemaakt of worden gespannen:

Neem de inbouwmodule uit de inbouwcassette. Zorg ervoor dat de deur (3) naar de verbrandingskamer dicht is. Zet het bij de houtkachel geleverde spangereedschap (4) op het tandwiel (5). Als de veer strakker moet, zodat de deur langzamer sluit (of volledig open kan blijven staan), draait u het tandwiel (5) een beetje met de klok mee. Dit doet u door het spangereedschap (4) tegen de klok in te draaien. Als de veer losser moet, zodat de deur sneller sluit (of niet volledig open blijft staan), licht u de regelstang (6) op en draait u het tandwiel (5) een beetje tegen de klok in. Dit doet u door het spangereedschap (4) met de klok mee te draaien. **BELANGRIJK!** Houd het handvat van het spangereedschap (4) goed vast terwijl u de vergrendelpen optilt. Bij het optillen van de vergrendelpen wordt veel gewicht en kracht overgebracht.

Controleer na elke bijstelling of het gewenste effect is bereikt. Als dit niet het geval is, herhaalt u de handeling. Als de veer losser is gemaakt, raden wij u aan om de eerste keer dat u de werking test het handvat voor de zekerheid vast te houden, voor het geval de deur te los is komen te zitten en daarmee mogelijk te snel dicht valt, waardoor schade aan het glas kan worden veroorzaakt.



**N.B. U moet deze onderdelen altijd door een vakman laten aanpassen, smeren en repareren.**

### **Oppervlak**

Gewoonlijk is het niet noodzakelijk het oppervlak een nabehandeling te geven. Eventuele lak-schade kan worden behandeld met Senothermspray.

### **Garantie**

Bij gebrekkig onderhoud vervalt de garantie!

## **ONREGELMATIGHEDEN**

---

### **Beroet glas**

- Het hout is te vochtig. Stook alleen met brandstof die minimaal 12 maanden onder een afdak heeft gelegen en een vochtgehalte heeft van ca. 20%.
- De pakking van de deur sluit mogelijk niet goed aan.
- Gebrekkige toevoer van secundaire lucht voor de ruitspoeling. Schuif de regelstang verder naar rechts tot de ruit is schoongebrand.
- Er wordt te koud gestookt. Stook de inbouwmodule eerst goed warm.

### **Rook in de kamer bij openen van de deur**

- De schuif in de schoorsteen is mogelijk gesloten. Open de schuif.
- Geen schoorsteentrek. Herlees het hoofdstuk over de schoorsteen of laat de schoorsteenveger komen.
- Schoonmaakluikje is niet dicht of is eruit gevallen. Vervangen of opnieuw monteren.
- Open nooit de klep, zolang u vlammen kunt zien.

### **Onregelmatige verbranding**

- De pakking van de deur sluit niet goed aan. Monteer een nieuwe pakking.
- Als de schoorsteen te veel trekt, kan het noodzakelijk zijn de regelstang op minimaal vermogen te zetten, d.w.z. helemaal naar links.

**Voor storingen die u niet zelf kunt verhelpen, kunt u zich wenden tot uw leverancier.**

# CONFORMITEITSVERKLARING

---

Fabrikant:  
HWAM A/S  
Nydamsvej 53  
DK – 8362 Hørning

verklaart hierbij dat

Product:	Type:
Houtkachel	HWAM I 30/55

is vervaardigd conform de bepalingen van de volgende richtlijnen:

Referentienr.	Titel:
89/106/EEC	Richtlijn inzake bouwmaterialen

en conform de volgende geharmoniseerde normen:

Nr.	Titel:	Uitgave:
EN 13229	Voorzetkachels inclusief open haarden voor vaste brandstoffen	2001
EN 13229/A2	Voorzetkachels inclusief open haarden voor vaste brandstoffen	2004

en conform de volgende andere normen en/of technische specificaties:

Nr.	Titel:
NS 3058	Rookuitstoot bij gesloten, op hout gestookte stookplaatsen
NS 3059	Rookuitstoot bij gesloten, op hout gestookte stookplaatsen - Eisen

Hørning, 18.02.2008

---



Torsten Hvam Sølund  
Hoofd productie en kwaliteit

### Prescriptions légales

Si le foyer doit être encastré dans une cheminée de construction récente et qui n'a pas été approuvée, celle-ci doit être conforme à toutes les prescriptions légales et à la législation du bâtiment. Il est toujours recommandé de consulter le ramoneur avant l'installation du foyer.

### Encombrement

La pièce, dans laquelle le foyer sera installé, doit être pourvue d'une arrivée d'air frais de combustion. Une fenêtre basculante ou une ventouse d'aération réglable sont suffisantes.

Attention ! Tous les éléments vitrés ne sont pas résistants à la chaleur. Une paroi vitrée doit donc, dans certains cas, être considérée comme matériau inflammable. Veuillez contacter votre ramoneur ou le fabricant de la paroi vitrée en ce qui concerne l'écart de sécurité aux éléments vitrés.

### Distance par rapport aux matériaux inflammables

Pour les distances de sécurité anti-feu devant le poêle, se référer aux règlements locaux.

En cas de sol inflammable, placez l'insert au moins 30 cm au-dessus du sol.

En cas de présence de matériau inflammable autour du caisson de maçonnerie, un matériau isolant (type brandbatts) non inflammable d'au moins 40 mm d'épaisseur doit être inséré entre le caisson et le matériau inflammable. Ceci est valable pour toutes les surfaces du caisson. Le matériau isolant doit avoir une conductivité thermique ne dépassant pas  $0,09 \text{ W/m} \times \text{K}$  (mesuré à  $200^\circ \text{C}$ ). La conductivité thermique doit donc être inférieure à  $0,09 \text{ W/m} \times \text{K}$ .

### Exigences imposées à la cheminée

La cheminée doit posséder une hauteur garantissant des caractéristiques de tirage suffisantes et ne doit pas provoquer de nuisance par la fumée qui s'en échappe. Tirage nominal requis: 12 Pa.

La section minimale de la cheminée est de 150 mm. L'exigence minimale est cependant que la section doit toujours correspondre à la section de la sortie du foyer. La cheminée devra en outre être pourvue d'une porte de nettoyage facilement accessible.

### La cheminée

La cheminée est le moteur du foyer et donc essentielle au fonctionnement de ce dernier. Le tirage de la cheminée crée une dépression dans le foyer. Cette dépression évacue la fumée provenant du foyer, aspire de l'air, à travers le registre, vers ce que l'on appelle le balayage du verre, qui empêche le dépôt de suie, et aspire de l'air, à travers les registres primaire et secondaire, pour alimenter la combustion.

Le tirage se forme en raison de la différence de température entre l'intérieur et l'extérieur de la cheminée. Plus la température à l'intérieur de la cheminée est élevée, et plus le tirage sera fort. Il est donc essentiel que la cheminée soit bien chauffée avant de fermer les registres et de réduire le niveau de combustion dans le foyer (une cheminée maçonnée met plus de temps à chauffer qu'une cheminée en acier).

Si le tirage est mauvais dans la cheminée, du fait des conditions météo, il est très important de réchauffer la cheminée le plus vite possible. Il s'agit d'obtenir rapidement des flammes. Utilisez du bois fendu très mince ou un bloc d'allumage supplémentaire, par exemple. Après une longue période de non utilisation, il est important de vérifier qu'il n'y a pas de blocage dans le conduit de la cheminée.

Plusieurs dispositions de raccord sont possibles pour la même cheminée. Vérifiez cependant les règlements en vigueur.

Mal utilisée, une bonne cheminée peut mal fonctionner. Inversement, une mauvaise cheminée peut fonctionner de façon satisfaisante si elle est bien utilisée.

### Ramonage de la cheminée

Faire ramoner la cheminée une fois par an pour prévenir le risque de feu de cheminée. Nettoyer en même temps le conduit et la chambre à combustion au-dessus de la chicane de fumée. Si la cheminée est trop haute pour permettre un nettoyage par le haut, monter une trappe de nettoyage.

En cas de feu de cheminée, fermer tous les registres et contacter les services d'incendie. Avant d'utiliser à nouveau la cheminée, la faire vérifier par le ramoneur.

Résultats de tests nominaux selon EN 13229

Rendement calorifique	6,0 kW
Température de fumée	259°C
Débit massique du gaz de combustion	6,5 g/s

## MONTAGE ET RACCORDEMENT (ILLUSTRATION A)

---

Le modèle HWAM I 30/55 consiste en un caisson d'encastrement libre externe et un insert libre que l'on pousse pour le mettre en place et le raccorder, une fois terminée l'installation du caisson d'encastrement.

HWAM I 30/55 peut se raccorder de deux façons :

1. Montage et raccordement dans une cheminée existante.
2. Nouvel ouvrage de maçonnerie autour du foyer et le cas échéant, installation de gaines 2. de chauffage vers d'autres pièces.

### I. Montage et raccordement dans une cheminée existante (illustration A1-A3)

Avant d'installer le foyer à encasturer HWAM dans une cheminée maçonnée, on enlèvera du conduit de cheminée existant le registre de réglage et la hotte éventuelle de manière à mettre en contact direct l'orifice de sortie des fumées et le conduit de cheminée. Supprimer également les pierres saillantes qui se trouveraient au bas de la cheminée: Celles-ci pourraient gêner la bonne installation du foyer.

Consulter l'agent HWAM afin de fixer avec lui l'emplacement le plus approprié de l'orifice de ramonage (1) qui permet de nettoyer le conduit de fumée de haut en bas sans que l'on soit obligé d'ouvrir la porte du foyer.

#### Montage du conduit (illustration A1)

Assembler sur le raccord (2) du foyer un tuyau de raccordement rigide ou flexible de dimension appropriée (3). Poussez le tuyau interne, à l'intérieur du raccord. Tournez le tuyau interne de sorte que la poignée se loge le plus loin possible à l'intérieur du raccord.

Boucher l'interstice autour du tuyau au moyen de 3 couches de laine de roche ignifuge de 50 mm (4) avec au centre une ouverture qui s'ajustera exactement à la dimension du tuyau.

Placer le tuyau dans l'orifice de la cheminée de sorte que le manchon de raccordement correspond aux mesures indiquées :

- a. Distance du bord de devant de l'orifice de maçonnerie, si le foyer à encastrier doit être alligné au mur.
- b. Hauteur sur le fond du foyer.

Repousser vers le haut les 3 couches de laine de roche de manière à les introduire dans le trou de cheminée où elles feront office de joint étanche.

### **Installation du caisson (illustration A2)**

Si vous voulez installer un tuyau pour la répartition d'une partie de la chaleur de convection vers d'autres pièces, retirez en appuyant dessus les deux plaques de chaque côté de l'orifice de sortie de fumée sur le caisson (**voir illustration H**).

Placer le foyer (**6**) sur la dalle de la cheminée. Veiller à ce qu'il soit bien de niveau et que la face avant soit au même plan que la surface du mur d'encastrement. Les 3 vis de réglage sur le fond du caisson peuvent servir à ajuster la position du caisson pour qu'il soit à niveau (**illustration F**). Vissez bien le raccord sur le coffre d'encastrement à l'aide des vis auto taraudeuses jointes.

Si l'écart entre l'ouverture de la cheminée et le caisson d'encastrement doit être comblé par de la maçonnerie, il doit y avoir un interstice de 5 mm autour du caisson. La maçonnerie autour du caisson doit donc être autoportante. Fixer solidement le caisson dans la maçonnerie avec 1 ou 3 vis sur le fond.

### **Montage de l'insert (illustration A3)**

Retirer la clayette (**7**) de l'insert. Retirer la chicane (**8**) de l'insert. Mettre un joint Ø6 mm dans le fond du manchon de sortie de fumée. Pousser l'insert pour le mettre en place dans le caisson d'encastrement. Tirez le tuyau interne jusqu'au bas dans le raccord d'échappement de l'insert. Remettre en place la chicane (**8**) et la clayette (**7**).

Sceller ensuite le tuyau à la paroi de la cheminée à l'aide de mortier ignifuge (**5**) ou d'un produit équivalent. Ceci est fait par l'orifice de ramonage (**1**) en la cheminée, et n'est fait que quand le foyer est assemblé.

### **Raccord du conduit d'aération, vu de l'extérieur**

HWAM I 30/55 est préparé pour le système d'aération. Le système d'aération est vendu séparément.

## **2. Nouvelle maçonnerie autour du foyer à encastrier**

Pour effectuer ce travail correctement, on prendra soin de placer le foyer à encastrier de niveau et à une hauteur appropriée. D'autre part, il devra rester un espace de 5 mm au minimum entre la maçonnerie et le foyer. Le cadre du caisson de maçonnerie fait 25 mm de large, mais seulement 20 mm sur le haut. La partie supérieure de l'ouvrage devra donc être autoportante. Ne pas oublier les vis de fixation entre le caisson et la cloison.

Le tuyau d'évacuation des fumées ainsi que les éventuelles gaines de chauffage vers d'autres pièces seront raccordés au foyer à encastrier pendant les travaux de maçonnerie.

Le caisson n'est pas porteur. Donc les tuyaux de plus de 2 mètre, le conduit, doivent être fixés de manière à ne pas peser sur le caisson.

Après avoir effectué les travaux de maçonnerie, on mettra le foyer en place comme indiqué aux point 1.

## Montage des pièces détachées (illustration E)

Avant l'installation du foyer, vérifiez que toutes les pièces détachées ont été correctement installées.

- a. Clayette (1). Doit être placée sur la plaque arrière et sur les plaques latérales obliques. Doit s'emboîter dans l'ornière de la plaque arrière.
- b. La chicane en acier (2) est fixée par 2 crochets. Pour monter la chicane, la soulever et l'introduire par la droite jusqu'à ce qu'elle s'accroche sur les 2 crochets.

## GUIDE DE CHAUFFAGE — BOIS

---

### Première utilisation

Soyez prudent lorsque vous allumez le foyer pour la première fois, tous les matériaux devant s'adapter à la chaleur. La laque se durcit lors de la première utilisation. Ouvrir prudemment la porte, sinon les joints risquent de rester collés au vernis. Sinon les joints risquent de rester bloqués dans la laque. La laque peut aussi dégager des odeurs désagréables. Veillez donc à ce que la pièce soit bien aérée.

### Informations concernant le combustible :

#### Types de combustibles autorisés

Le poêle est conforme aux normes européennes EN uniquement pour la combustion de bois. Il est conseillé d'utiliser du bois fendu sec avec une teneur en eau maximale de 20%. La combustion de bois humide est moins bonne pour l'environnement et pour la rentabilité.

#### Types de bois conseillés

Tous les types de bois tels que le bouleau, le hêtre, le chêne, l'orme, le frêne, les conifères et les arbres fruitiers peuvent être utilisés dans votre poêle. Ce qui fait la différence, ce n'est pas la combustibilité du bois mais son poids au m<sup>3</sup>. Le hêtre pèse plus au m<sup>3</sup> que le sapin, par exemple. Il faudra donc davantage de sapin que de hêtre pour produire la même quantité de chaleur.

#### Types de combustibles à proscrire

Il est interdit de brûler les matériaux suivants :

- imprimés
- aggloméré
- matières plastiques
- caoutchouc
- combustibles liquides
- déchets tels que cartons de lait
- bois vernis, peint ou imprégné.

Ces matériaux sont prohibés puisque leur combustion dégage des matières nuisibles à la santé et à l'environnement. Ces produits peuvent aussi endommager votre poêle et votre cheminée et leur utilisation entraîne une perte de garantie.

#### Stockage du bois

Une teneur en eau maximale de 20 % est atteinte en stockant le bois au moins un an (au mieux deux) en extérieur sous abri mi-couvert. Le bois stocké en intérieur a tendance à devenir trop sec et à brûler trop vite. Il est cependant conseillé de stocker le bois à l'intérieur, quelques jours avant l'utilisation.

#### Dimensions conseillées

Il est important de respecter les dimensions des bûches pour obtenir une bonne combustion. Ces dimensions sont les suivantes.

Type de bois	Longueur en cm	Diamètre en cm
Bois d'allumage (fendu mince)	25 à 35	2 à 5
Bûches fendues	30 à 40	7 à 9

### Commande de la porte

Pour contrecarrer une traction oblique sur le mécanisme de levage de la porte, toujours ouvrir et fermer la porte en tenant la poignée au milieu.

Notez qu'il est important de ne pas lâcher la poignée pendant l'ouverture et la fermeture de la porte. Si la porte s'abaisse d'elle-même, la vitre risque d'être endommagée.

### Réglage du poêle (illustration E)

La tige de réglage (I) se trouve derrière la vitre. L'automatisme est réglé, au maximum, si la tige de réglage est le plus à droite et au minimum, si elle est le plus à gauche.

### Allumage

Pousser la tige de réglage entièrement vers la droite pour régler l'automatisme au rendement maximal. Placer dans le poêle, des bûchettes fendues correspondant à environ 2 à 3 bûches (env. 2 kg). Placer 2 blocs d'allumage entre les bûchettes de la couche supérieure. Allumer sur le dessus et laisser le feu se propager doucement. Maintenir la porte entr'ouverte jusqu'à ce qu'il n'y ait plus de condensation sur la vitre (max. 5 min). Fermer la porte. Quand toutes les bûchettes brûlent bien, mettre la tige de réglage du rendement en position médiane. Si le feu s'étouffe quand le réglage est fait à la baisse, c'est que le réglage est effectué trop tôt. Remettre la tige de réglage vers la droite pour que le feu prenne mieux. Laisser brûler les bûchettes complètement jusqu'à ce qu'aucune flamme ne soit plus visible.

**Important !** N'ouvrir la porte que lors de l'allumage et du remplissage ou pour vider les cendres.

### Combustion

Lorsqu'aucune flamme jaune n'est visible et qu'il y a une bonne couche de braises, ajouter de petites bûches. La couche de braises est suffisante quand les bûches tombent séparément et que le fond est recouvert de braises. Placer 2 ou 3 nouvelles bûches d'un maximum de 1 kg chacune. L'automatisme se charge du réglage de l'admission d'air.

On peut toutefois augmenter ou baisser la température, en déplaçant la tige de réglage, respectivement à gauche ou à droite. Plus la tige est placée vers la gauche, plus la combustion diminue et plus la durée de combustion augmente. Si elle est poussée vers la droite, la combustion augmente et la durée de combustion diminue. Avant chaque nouveau remplissage, attendre que la couche de braises soit suffisamment mince.

### Combustion au charbon, briquettes et coke

Le modèle HWAM I 30/55 n'est pas conçu pour la combustion au charbon ou au coke. On peut néanmoins y brûler des briquettes, en les plaçant sur les braises de bois. Pousser la tige de réglage entièrement vers la droite jusqu'à ce que les briquettes soient bien en braises.

**Ne pas oublier de repousser ensuite la tige de réglage vers la gauche pour ralentir la combustion. L'utilisation d'autres types de combustibles que le bois provoque des dépôts de suie sur le verre.**

# GÉNÉRALITÉS

---

## **Chaleur rapide ou forte**

Pour obtenir une chaleur rapide ou forte, brûler un grand nombre de bûches de petite taille.

## **Combustion maximale**

Remplissage maximal par heure :

Bois: 2,4 kg      Briquettes: 1,9 kg

Intervalle de remplissage normal en rendement nominal

Bois: 65 min      Briquettes: 65 min

Si ces limites sont dépassées, le foyer n'est alors plus couvert par la garantie de fabrication, et risque d'être endommagé par la trop forte chaleur. Le poêle est approuvé pour utilisation intermittente.

## **Combustion de longue durée**

Pour obtenir une longue durée de combustion, brûler un petit nombre de bûches (au moins 2), mais de très grosse taille, tout en baissant le registre.

## **Combustion trop faible**

Si les matériaux ignifugés sont "noirs" après une utilisation, cela signifie que le foyer pollue et que le dispositif automatique ne fonctionne pas de façon optimale. La tige de réglage doit donc être poussée vers la droite. Il peut en outre être nécessaire de brûler davantage de bois.

## **Types de combustibles**

Il est recommandé d'utiliser du bois de bouleau ou de hêtre qui a été débité et entreposé pendant au moins un an à l'extérieur, sous l'abri. Le bois entreposé à l'intérieur a tendance à devenir trop sec et à brûler trop vite.

Les briquettes émettent beaucoup de chaleur. Certains types se dilatent fortement, ce qui résulte en une combustion incontrôlable.

## **Pour éteindre le feu**

Quand le poêle n'est pas utilisé, pousser la tige de réglage entièrement vers la gauche.

## **Pour une combustion optimale**

### **• Utilisez du bois sec et propre.**

Le bois humide entraîne une mauvaise combustion, beaucoup de fumée et de la suie. De plus, la chaleur est utilisée pour le séchage du bois, au lieu de réchauffer la pièce.

### **• Remplissez par petites quantités.**

Vous obtiendrez une meilleure combustion si vous remplissez le poêle souvent et par petites quantités. Si vous mettez trop de bois à la fois, la température permettant une bonne combustion s'élève trop lentement.

### **• Veillez à ce que la quantité d'air convienne.**

Réglez bien l'arrivée d'air, surtout au début. Le poêle atteindra ainsi plus rapidement une température élevée. Les gaz et particules qui se dégagent lors de la combustion seront ainsi consommés. Sinon, ils resteront dans la cheminée sous forme de suie (risque de feu de cheminée) ou bien ils s'échapperont non consommés, dans l'environnement. Si l'air arrive en quantité insuffisante, cela entraîne une mauvaise combustion et un mauvais rendement.



- **Ne faites pas brûler au ralenti pendant la nuit.**

Nous vous déconseillons de mettre des bûches sur le feu, en fin de soirée et de baisser l'arrivée d'air pour essayer d'avoir des braises le lendemain. Le poêle risquerait en effet de dégager, dans ce cas, d'importantes quantités de fumées nocives. Votre cheminée se remplirait alors inutilement de suie, ce qui pourrait entraîner un feu de cheminée.

## NETTOYAGE

---

### Nettoyage externe

Le nettoyage de l'insert ne doit être effectué que lorsque celui-ci est froid. L'entretien journalier est réduit au minimum. Le plus commode est de nettoyer l'insert à l'aspirateur, sur l'extérieur, avec un petit embout à brosse douce.

### Nettoyage de la vitre (illustration G)

Si la face interne de la vitre a besoin d'être nettoyée, soulever la porte à moitié et faire basculer sur le côté les 2 barres de guidage (1) les plus hautes de chaque côté derrière la porte, de manière à les dégager des vis (2). La vitre peut ensuite être essuyée et nettoyée. Une fois le nettoyage de la vitre terminé, soulever à nouveau la porte à moitié et faire basculer les barres sur le côté. Faire basculer la vitre pour la remettre en place et remettre les barres par-dessus les vis.

Utiliser de l'essuie-tout humide trempé dans la cendre pour nettoyer efficacement la face interne de la vitre. Essuyer ensuite avec un morceau d'essuie-tout propre.

Pour nettoyer la face externe de la vitre, utiliser un produit d'entretien ordinaire pour surfaces brillantes (nettoyant pour vitres par ex.). Il est conseillé d'essuyer la vitre quand le poêle est froid.

### Cendres

Il est conseillé de retirer les cendres de la chambre de combustion avec un vide-cendres.

Jeter les cendres avec les ordures ménagères. **Remarque - Il peut y avoir des braises dans les cendres pendant 24 heures suivant l'extinction du feu dans l'insert.**

## ENTRETIEN

---

### Entretien

Contrôler fréquemment que la fente d'aération du rince-vitre (illustration C, 3) n'est pas bloquée par des cendres et de la suie. Vérifier fréquemment si les joints de la porte ne sont pas endommagés et gardent leur souplesse. Sinon, changez-les. N'utiliser que les joints d'origine.

Une fois par an, un nettoyage à fond de l'insert est nécessaire. Éliminer les cendres et la suie de la chambre de combustion. Lubrifier l'élévateur de la porte avec de la graisse au cuivre.

### Révision

Au moins tous les 2 ans, faire effectuer une révision préventive approfondie de l'insert. Cette révision comprend, entre autres les points suivants.

- Nettoyage à fond de l'insert.
- Contrôle de l'élévateur de la porte et lubrification éventuelle avec de la graisse au cuivre (illustration B, 1).

- Contrôle du ressort de l'automatisme, changement éventuel.
- Vérification des joints d'étanchéité. Changez les joints s'ils ne sont plus intacts ou s'ils ont durci.
- Contrôle du ressort de la transmission par chaîne. Contrôler que la tension des chaînes est identique des 2 côtés et que la porte se ferme hermétiquement sur tout le pourtour.
- Contrôle des matériaux isolants et remplacement éventuel.

**La révision doit être effectuée par un installateur qualifié. N'utiliser que des pièces de rechange d'origine.**

### **Nettoyage**

Avant le balayage, pousser la barre de réglage entièrement vers la gauche pour empêcher les cendres et la suie de pénétrer dans l'automatisme.

### **Illustration C**

Retirer la clayette (1). Pousser la plaque vers l'avant et la soulever légèrement sur le côté. Faire basculer un des côtés vers le bas. La plaque est alors dégagée. La retirer de la chambre de combustion. Retirer la chicane en acier (2) des crochets puis la dégager.

### **Isolation**

L'isolation de la chambre de combustion, efficace mais poreuse peut s'user avec le temps et être endommagée. Le fait que l'isolation se fendille ne réduit en rien l'efficacité du foyer. Il est cependant recommandé de la remplacer lorsque l'usure a réduit l'isolation à moins de la moitié de son épaisseur d'origine.

### **HWAM automatic™**

Contrôler la position initiale de la sonde. Avec un poêle froid, elle se trouve à un angle d'environ 30° par rapport à l'horizon-tale. Que le poêle soit froid ou chaud, on doit pouvoir la pousser facilement et de manière souple. Elle ne doit pas se déplacer par à-coups lorsque la température augmente ou diminue. Les plaques du registre doivent être sèches et propres et glisser sans frottement l'une dans l'autre. Lubrifier éventuellement les tiges de réglage et le registre à guillotine avec du WD40 (jamais de l'huile).

### **Élévateur de la porte (Illustration B)**

Le mécanisme de l'élévateur comprend une transmission à chaîne placée de chaque côté du poêle et un ressort. Si la porte résiste à l'ouverture, graisser les manchons des roues dentées et les charnières de la porte (1) avec de la graisse au cuivre (nous conseillons une tolérance de température de 1 100° C). Le faire une fois par an. Si la porte se déplace toujours trop lentement, détendre légèrement le ressort de l'élévateur. Si la porte s'ouvre trop facilement, le ressort est trop lâche.

Pour tendre ou détendre le ressort, procéder comme suit:

Retirez l'insert du coffre d'encastrement. Vérifier que la porte de la chambre de combustion (3) est fermée. Mettre l'outil spécial (4) livré avec le poêle, sur la roue dentée (5). Pour tendre le ressort de manière à ce que la porte se ferme plus lentement (ou pour qu'elle puisse se maintenir d'elle-même en position grande ouverte), tourner légèrement la roue dentée (5) dans le sens horaire. Pour cela, tourner l'outil spécial (4) dans le sens anti-horaire. Pour détendre le ressort de manière à ce que la porte se ferme plus rapidement (ou pour qu'elle ne puisse plus se maintenir d'elle-même en position grande ouverte), soulever le cliquet de verrouillage (6) et tourner légèrement la roue dentée (5) dans le sens anti-horaire. Pour cela, tourner l'outil spécial (4) dans le sens horaire. **IMPORTANT** - Quand vous soulevez le cliquet de verrouillage, tenez bien la poignée de l'outil spécial (4). En effet, une force et un poids importants sont transmis lorsque le cliquet de verrouillage est soulevé.

Pour la fermeture de la porte, vérifier après chaque réglage que le résultat souhaité est atteint. Sinon, répéter la procédure. En cas de détente du ressort, il est conseillé de bien tenir la poignée lors du premier test pour s'assurer que la porte n'est pas trop lâche et qu'elle ne tombe pas trop brusquement, ce qui risquerait d'endommager la vitre.

**N.B. Le réglage, le graissage et les réparations de ces pièces doivent toujours être effectués par un spécialiste.**

### **Surface**

Normalement, aucun retraitement de la surface n'est nécessaire. D'éventuels défauts de la laque peuvent cependant être réparés à l'aide d'un spray Senotherm.

### **Garantie**

La garantie ne s'applique pas en cas de manque d'entretien.

## **DÉFAUTS DE FONCTIONNEMENT**

---

### **Verre couvert de suie**

- Le bois est trop humide. Utiliser uniquement du bois qui a été stocké au moins durant 12 mois sous un auvent et dont le taux d'humidité est de 20% environ.
- Il se peut que joint de la porte ne soit pas hermétique.
- Manque de tirage d'air secondaire vers le rince-vitre. Pousser la tige de réglage plus loin vers la droite jusqu'à ce que la vitre soit propre.
- Combustion irrégulière. Veuillez à bien chauffer le foyer.

### **Formation de fumée au moment d'ouvrir la porte**

- Il se peut que le registre de la cheminée soit fermé. Ouvrir le registre.
- Tirage insuffisant dans la cheminée. Voir paragraphe sur la cheminée ou contacter le ramoneur.
- Porte de nettoyage défectueuse ou manquante. Remplacez-la ou remontez-la.
- Ne jamais ouvrir la porte tant que le bois est enflammé.

### **Combustion incontrôlée**

- Le joint de la porte n'est pas hermétique. En installer un nouveau.
- Si le tirage est trop fort dans la cheminée, il peut s'avérer nécessaire de pousser la tige de réglage vers le minimum, c'est-à-dire vers la gauche.

**En cas de dysfonctionnements auxquels vous ne pouvez remédier vous-même, veuillez contacter votre détaillant.**

# DÉCLARATION DE CONFORMITÉ

---

Fabricant:  
HWAM A/S  
Nydamsvej 53  
DK – 8362 Hørning

déclare, par le présent certificat, que

Produit:	Type:
Poêle à bois	HWAM I 30/55

est fabriqué conformément aux dispositions des directives suivantes :

Référence n°:	Titre:
89/106/EEC	Produits de Construction - DPC

ainsi qu'aux normes harmonisées suivantes :


N°:	Titre	Édition
EN 13229		2001
EN 13229/A2		2004

et autres normes et/ou spécifications techniques

N°:	Titre
NS 3058	Foyers fermés, échappement de fumée
NS 3059	Foyers fermés, échappement de fumée - Exigences

Hørning, le 18 février 2008

---

  
Torsten Hvam Sølund  
Responsable de production et qualité

### **Norme di legge**

Per installare la stufa ad incasso in un camino nuovo non ancora collaudato, occorre sempre rispettare tutte le norme di legge e di edilizia locale. Conviene sempre contattare un tecnico per un consiglio, prima di montare la stufa ad incasso.

### **Requisiti della stanza**

La stanza dove viene installata la stufa deve sempre essere aerata; una finestra apribile o un ventilatore può essere sufficiente.

Ricordare che non tutto il vetro è termoresistente. Pertanto, in alcuni casi, le pareti di vetro dovranno essere considerate infiammabili. Per la corretta distanza da una parete di vetro rivolgersi allo spazzacamino di zona o al fabbricante del vetro.

### **Distanza dai materiali infiammabili**

Per le dimensioni della superficie di sicurezza antincendio antistante il camino, consultare le norme di edilizia locali.

Se il pavimento è realizzato in materiale infiammabile, l'inserito deve essere installato ad almeno 30 cm di distanza dal pavimento.

Se la cassetta a muro è circondata da materiale infiammabile, tra la cassetta stessa e tale materiale deve essere interposto uno strato di materiale isolante non infiammabile (Brandbatts) di almeno 40 mm di spessore. Questo principio vale per tutte le superfici della cassetta. L'isolante deve presentare una conducibilità termica inferiore a  $0,09 \text{ W/m} \times \text{K}$  (misurata a  $200^\circ\text{C}$ ). In altre parole, la conducibilità termica deve essere inferiore a  $0,09 \text{ W/m} \times \text{K}$ .

### **Requisiti della canna fumaria**

Questa deve essere di altezza tale da assicurare un buon tiraggio, e in modo che il fumo non dia fastidio. Tiraggio nominale: 12 Pa.

Il suo diametro deve essere minimo di 150 mm o comunque corrispondente al diametro del foro di uscita del fumo e dotato di sportello di pulizia.

### **La canna fumaria**

La canna fumaria costituisce il motore della stufa ad incasso, essendo determinante per il suo funzionamento. Il tiraggio provoca una bassa pressione nella stufa e tale pressione elimina il fumo, aspira l'aria attraverso la valvola a farfalla, che mantiene il vetro libero dalla fuliggine ed aspira l'aria attraverso la valvola primaria e secondaria per la combustione.

Il tiraggio della canna fumaria si crea con la differenza di temperatura tra la canna fumaria e l'esterno. Una maggiore temperatura all'interno della canna fumaria crea un miglior tiraggio. Diviene quindi determinante che si riscaldi bene la canna fumaria prima di chiudere le valvole e si limiti la combustione nella stufa (per riscaldarsi, la canna fumaria in muratura richiede maggior tempo della canna fumaria in acciaio).

Nei giorni in cui le condizioni atmosferiche e il vento impediscono un buon tiraggio, è importantissimo riscaldare più rapidamente possibile la canna fumaria. A tal fine è necessario accendere velocemente il fuoco. Tagliare la legna in pezzi più piccoli del solito, utilizzare più blocchi di accensione, ecc. In seguito

a un periodo di inutilizzo prolungato è importante verificare che il tubo della canna fumaria non sia ostruito.

È possibile collegare più dispositivi alla stessa canna fumaria. In tal caso occorre prima informarsi sulle norme vigenti in materia.

Avere una buona canna fumaria non vuol dire essere liberi dal cattivo funzionamento quando la si usa in modo anomalo. Parimenti un buon camino può funzionare bene, se usato correttamente.

### **Pulizia della canna fumaria**

Al fine di prevenire il rischio di incendi nella canna fumaria, quest'ultima deve essere pulita ogni anno. Il tubo di evacuazione fumi e la camera dei fumi sopra al deflettore in acciaio deve essere pulito in occasione della pulizia della canna fumaria. Se l'altezza della canna fumaria rende impossibile la pulizia dall'alto, è necessario montare uno sportello che consenta l'accesso per la pulizia.

In caso di incendio nella canna fumaria, chiudere tutte le valvole e rivolgersi ai vigili del fuoco. Prima di utilizzare di nuovo è necessario far controllare la canna fumaria a uno spazzacamino.

Risultanti del collaudo nominale EN 13229

Potere riscaldante nominale 6,0 kW

Temperatura dei fumi 259°C

Portata fumi 6,5 g/sec.

## **MONTAGGIO E INSERIMENTO DELLA STUFA (DISEGNO A)**

---

HWAM I 30/55 è costituita da una cassetta aperta anteriormente da incassare nella parete e da un inserto da spingere in sede e collegare al termine del montaggio della cassetta a muro.

HWAM I 30/55 può essere collegata in due modi:

1. Inserimento e collegamento in un camino preesistente.
2. Nuova muratura intorno all'incasso, eventualmente con condotti di calore per lealtre stanze.

### **1. Montaggio e inserimento in un camino preesistente**

Prima di inserire la stufa in un camino occorre togliere la valvola di regolazione dei fumi già preesistente, ed eventualmente si allarga la canna fumaria in modo che la canna dell'incasso può essere direttamente collegata al camino.

Prendere accordi con un perito o con lo spazzacamino circa il montaggio dello sportellino di pulizia (1), in modo che il tubo del fumo possa essere pulito dall'alto, quando lo sportello della stufa è chiuso.

### **Montaggio del tubo di uscita fumi (Disegno A1)**

Si inizia montando la flangia di collegamento (2) con una sezione adeguata di canna fumaria o di tubo flessibile (3). Spingere il tubo interno dentro al raccordo. Il tubo interno deve essere rivolto in modo tale che la maniglia entri il più possibile nel raccordo.

Tagliare circa 3 pezzi da 50 mm di guarnizioni refrattarie in lana minerale (4) in modo che possano essere spinte dentro la canna fumaria. Tagliarvi quindi un buco nel mezzo, per l'inserimento forzato intorno al tubo.

Fissare il tubo nella canna fumaria in modo che la flangia di collegamento corrisponda alle misure indicate:

a. La distanza dal bordo del foro nel muro, quando l'incasso deve essere allineato al muro.

b. L'altezza dal fondo del camino.

Spingere poi le 3 guarnizioni di lana minerale sul tubo e pressarle nella canna fumaria in modo da ottenere una guarnizione solida.

### **Montaggio della cassetta (Disegno A2)**

Se si desidera montare dei tubi per distribuire parte del calore da convezione in altri locali, premere le due piastre su ciascun lato del foro dell'uscita fumi sulla cassetta per estrarle (**disegno H**).

Spingere la cassetta murabile (**6**) al suo posto sul fondo del camino. Fare attenzione che sia orizzontale, e che il lato anteriore sia a livello con la muratura. Le 3 viti sul fondo della cassetta possono essere utilizzate per la regolazione di precisione della cassetta stessa in modo da ammortizzarne il movimento (**disegno F**). Avvitare il raccordo del collegamento alla cassetta a muro utilizzando le viti autofilettanti in dotazione.

Se la distanza tra l'apertura del focolare e la cassetta a muro viene colmata con un lavoro in muratura, è necessario lasciare una luce minima di 5 mm verso la cassetta. Il lavoro in muratura fino alla cassetta, pertanto, deve essere autoportante. Fissare la cassetta al muro per mezzo di 1-3 viti sul fondo.

### **Montaggio dell'inserto (Disegno A3)**

Togliere la mensola del fumo (**7**) dall'inserto. Togliere il deflettore fumi (**8**) dall'inserto. Applicare una guarnizione da Ø6 mm sul fondo della boccola dell'uscita fumi. Spingere quindi l'inserto in sede nella cassetta. Tirare il tubo interno completamente verso il basso nel raccordo di uscita fumi dell'inserto. Montare quindi il deflettore fumi (**8**) e la mensola (**7**).

Riempire eventualmente con silicone (**5**) intorno al tubo ed alla canna fumaria sopra la guarnizione in lana minerale. Questo viene fatto attraverso lo sportellino di pulizia (**1**) nella canna fumaria, una volta che l'incasso è stato montato.

### **Raccordo per l'aerazione dall'esterno**

La stufa HWAM I 30/55 è predisposta per il sistema di aerazione esterna. Il sistema di aerazione esterna può essere acquistato a parte.

## **2. Nuova muratura intorno alla stufa ad incasso**

E' necessario isolare la cassetta murabile ad altezza adeguata. Il muro, che va tenuto a minimo 5 mm dalla cassetta murabile, deve essere autoportante. La cornice della cassetta a muro è larga 25 mm, ma solo 20 mm nel lato superiore. Ricordare le viti di fissaggio tra la cassetta e la parete.

I tubi del fumo e gli eventuali tubi di convezione per gli altri locali vanno montati sulla cassetta murabile durante la costruzione.

La cassetta murabile non è autoportante, quindi i tubi del fumo di oltre 2 m e l'eventuale canna fumaria vanno fissati, in modo che il peso non ricada sulla cassetta.

A costruzione terminata si monta l'incasso come descritto ai punti 1.

### **Sistemazione delle singole parti (Disegno C)**

Prima di utilizzare la stufa, occorre accertarsi che tutti i suoi componenti siano al posto giusto.

- a. Mensola del fumo (1). Deve trovarsi sul pannello posteriore e sui pannelli laterali obliqui. Deve assestarsi nella traccia sul pannello posteriore.
- b. Deflettore fumi in acciaio (2). È fissato per mezzo di due ganci. Per montare il pannello, sollevarlo e inserirlo a destra fissandolo ai due ganci.

## ISTRUZIONI D'USO PER L'ACCENSIONE — LEGNA

---

### La prima accensione

La prima volta che si accende la stufa ad incasso, occorre fare molta attenzione dato che tutti i suoi componenti devono adattarsi al calore. Alla prima accensione, la vernice si indurisce. È necessario aprire lo sportello con grande attenzione per evitare che le guarnizioni si attacchino allo smalto. In questa fase è possibile che la vernice emani dei vapori. Si raccomanda quindi di garantire una buona aerazione del locale.

### Informazioni utili sulla combustione:

#### Tipi di combustibile consentiti

La stufa è omologata esclusivamente a norma EN per l'alimentazione a legna. Si consiglia di utilizzare blocchi di legna secca con un contenuto d'acqua max. del 20%. L'alimentazione con legna umida produce fuliggine, danni ambientali e una cattiva economia di combustione.

#### Tipi di essenze consigliati

Per alimentare la stufa è possibile utilizzare tutti i tipi di essenze, per es. betulla, faggio, quercia, olmo, frassino, conifere e alberi da frutta. La differenza principale non risiede nel potere riscaldante ma nel peso specifico delle varie specie. Poiché il faggio ha un peso specifico superiore, per esempio, a quello dell'abete rosso, per ottenere la stessa quantità di calore prodotta dal faggio occorre una maggiore quantità di abete rosso.

#### Tipi di combustibile non consentiti

È proibito bruciare:

- Stampe
- Pannelli di compensato
- Plastica
- Gomma
- Combustibili liquidi
- Rifiuti come i cartoni del latte
- Legna verniciata, smaltata o impregnata.

Il motivo per cui è proibito bruciare i materiali sopra elencati è che la loro combustione produce sostanze dannose per la salute e per l'ambiente. Tali sostanze inoltre possono danneggiare la stufa e la canna fumaria invalidandone la garanzia.

### Conservazione della legna

Per ottenere un contenuto d'acqua max. del 20% è necessario conservare la legna per almeno un anno, meglio se 2, all'aperto sotto una tettoia. La legna conservata in locali chiusi ha la tendenza ad essiccarsi eccessivamente e quindi a procurare una combustione troppo rapida; la legna riservata all'accensione tuttavia può essere conservata al chiuso un paio di giorni prima dell'uso.

#### Dimensioni consigliate

Le dimensioni dei blocchi di legna sono importanti ai fini di una combustione ottimale. Le dimensioni consigliate sono le seguenti:



Tipo di legna	Lunghezza in cm	Diametro in cm
Legna da accensione (pezzi sottili)	25-35	2-5
Blocchi da ardere	30-40	7-9

### **Funzionamento dello sportello**

Durante l'apertura e la chiusura dello sportello, tenere la mano al centro della manopola per evitare spostamenti obliqui del meccanismo di sollevamento dello sportello.

È importante non lasciarsi sfuggire la maniglia durante l'apertura o la chiusura dello sportello. Se lo sportello cade senza essere accompagnato, il vetro può subire danni.

### **Regolazione della stufa (Disegno E)**

La barra di regolazione (I) si trova dietro al vetro. L'automatismo è regolato sul massimo quando la barra di regolazione si trova completamente a destra, e sul minimo quando si trova completamente a sinistra.

### **Accensione**

Spingere la barra di regolazione completamente verso destra per regolare l'automatismo in modo da ottenere la massima potenza. Introdurre legnetti di accensione spezzati corrispondenti a circa 2-3 blocchi di legna (approssimativamente 2 kg) nella stufa. Introdurre 2 blocchi di accensione tra gli strati superiori dei legnetti di accensione. Accendere e lasciare che le fiamme si propaghino lentamente. Tenere lo sportello socchiuso fino a quando non si formi più condensa sul vetro (max. 5 min.). Chiudere lo sportello. Quando tutti i legnetti saranno accesi, impostare la barra di regolazione della potenza sulla posizione intermedia. Se in questa fase la fiamma accenna a ridursi, significa che la regolazione è prematura. Impostare nuovamente la barra di regolazione sulla destra fino a quando le fiamme si siano stabilizzate. Lasciare consumare completamente i legnetti di accensione fino a quando non vi siano più fiamme visibili.

**Attenzione!** Aprire lo sportello solo per l'accensione e l'alimentazione e per rimuovere la cenere.

### **Combustione**

Quando non ci sono più fiamme gialle visibili e si è raggiunto un buon strato di brace, allora si può caricare la stufa di nuovo. Lo strato di tizzoni è sufficiente quando i pezzi di legna si staccano l'uno dall'altro e ricoprono la base. Introdurre 2 - 3 blocchi di legna nuova del peso massimo di 1 kg ciascuno. L'automatismo controlla la regolazione dell'apporto d'aria.

È possibile aumentare o ridurre la temperatura spostando la barra di regolazione rispettivamente verso sinistra o verso destra. Posizionando la barra di regolazione ulteriormente verso sinistra, si ottiene una riduzione della combustione e, di conseguenza, un aumento della sua durata. Se, al contrario, si posiziona la barra di regolazione verso destra, la combustione aumenta di intensità e si conclude più rapidamente. Prima di ogni nuova accensione attendere che lo strato dei tizzoni sia sufficientemente basso.

### **Accensione con carbone, formelle e coke energetico**

HWAM I 30/55 non è progettata per l'alimentazione con carbone e coke energetico. È tuttavia possibile utilizzare formelle da introdurre sui tizzoni a una certa distanza dalla legna. Spingere la barra di regolazione completamente verso destra fino ad accendere adeguatamente le formelle.

**Ricordare che la barra di regolazione dovrà poi essere riportata verso sinistra per ridurre la combustione. Fare attenzione che il riscaldamento con altri tipi di combustibili comporta un vetro più sporco.**

# REGOLE GENERALI SULLA COMBUSTIONE

---

## Combustione elevata

La combustione elevata si raggiunge quando vengono bruciati molti pezzi piccoli di legna.

## Combustione massima

L'omologazione della stufa prevede un consumo massimo all'ora:

Legna: 2,4 kg      Formelle: 1,9 kg

Intervallo di alimentazione tipico alla potenza nominale

Legna: 65 min      Formelle: 65 min

Se si superano questi limiti, la garanzia della stufa decade, oltre al rischio che la stufa si rovini per via della combustione troppo elevata. LA stufa è omologata l'uso non continuato.

## Combustione lenta

Una lenta combustione si raggiunge se si bruciano pochi pezzi di legna, ma molto grossi (minimo 2), e contemporaneamente si è regolata in basso la valvola.

## Combustione troppo debole

Se i materiali refrattari nel vano combustione diventano neri dopo una carica, vuol dire che la stufa inquina e che l'automatismo non funziona. Quindi riportare la barra di regolazione verso destra.

## Tipi di combustibile

E' consigliabile usare legna di betulla o di faggio spaccata e conservata perinimo 1 anno all'esterno sotto una tettoia. La legna conservata all'interno ha la tendenza a diventare troppo secca e a bruciarsi troppo velocemente.

Le formelle producono molto calore. Alcuni tipi si dilatano considerevolmente, producendo di conseguenza una combustione incontrollabile.

## Al termine della combustione

Quando la stufa non è in uso, posizionare la barra di regolazione completamente verso sinistra.

## Come ottenere una combustione ottimale:

### • Utilizzare legna asciutta e pulita.

La legna umida provoca una cattiva combustione con abbondante produzione di fumo e fuliggine. Inoltre l'energia termica viene utilizzata per l'essiccazione della legna anziché per il riscaldamento della stanza.

### • Bruciare poca legna per volta.

Per ottenere una combustione ottimale è necessario bruciare poca legna per volta. Se si introduce troppa legna, occorre troppo tempo per ottenere la temperatura necessaria per una buona combustione.

### • Procurare il corretto apporto d'aria.

Occorre inoltre fare in modo che vi sia aria a sufficienza – soprattutto all'inizio – così che la temperatura all'interno della stufa possa salire velocemente. In tal modo i gas e le particelle rilasciati durante la combustione vengono consumati rapidamente. In caso contrario si depositano nella canna fumaria come fuliggine (aumentando il rischio di incendio della stessa) oppure vengono rilasciati, incombusti, nell'atmosfera. Un quantitativo d'aria non corretto comporta una combustione e un funzionamento insoddisfacenti.

### • Non alimentare la stufa durante la notte

Si sconsiglia di aggiungere legna e ridurre l'apporto d'aria durante la notte al fine di mantenere della brace accesa per il mattino. In tal modo infatti la stufa emana gas tossici in abbondanza e, al tempo stesso, la canna

fumaria viene esposta a un eccesso di fuliggine che potrebbe provocare l'incendio della canna stessa.

## PULIZIA

---

### **Pulizia esterna**

La pulizia dell'inserito deve essere effettuata esclusivamente a stufa fredda. La manutenzione quotidiana è limitata a poche operazioni. Il metodo più semplice consiste nell'aspirare esternamente l'inserito con un piccolo aspiratore dotato di spazzola morbida.

### **Pulizia del vetro (Disegno G)**

Per pulire il lato interno dell'anta di vetro, sollevare lo sportello a metà altezza e inclinare esternamente i due bracci laterali **(1)** in modo da liberarli dalle viti **(2)**. A questo punto è possibile sollevare il vetro e pulirlo. A pulizia ultimata, sollevare di nuovo lo sportello a metà altezza, inclinare quindi esternamente i due bracci, riportare il vetro in posizione e fissare i bracci alle viti.

Per pulire il lato interno dell'anta di vetro, servirsi di carta da cucina umida con un po' di cenere. Strofinare quindi con un pezzo di carta da cucina pulito.

Per pulire il lato esterno dell'anta di vetro servirsi di un comune detergente per superfici lucide, per esempio un detergente per vetri. Si consiglia di asciugare il vetro a stufa fredda.

### **Cenere**

Si consiglia di rimuovere la cenere dalla camera di combustione per mezzo di un apposito aspiratore.

La cenere può essere gettata con la normale spazzatura domestica.

**Si ricorda che sotto la cenere possono trovarsi tizzoni fino a 24 ore dopo l'estinzione della fiamma!**

## MANUTENZIONE

---

### **Manutenzione**

Controllare regolarmente che il traferro del vetro autopulente **(disegno C, 3)** sia libero da cenere e particelle di fuliggine. Controllare regolarmente che le guarnizioni dello sportello siano integre e morbide. In caso contrario esse devono essere sostituite. Utilizzare esclusivamente guarnizioni originali.

Sottoporre l'inserito a un'accurata manutenzione una volta l'anno. Eliminare tracce di cenere e fuliggine dalla camera di combustione. Eventualmente lubrificare il dispositivo di sollevamento dello sportello con grasso a base di rame.

### **Assistenza post-vendita**

L'inserito deve essere sottoposto a un controllo approfondito almeno ogni due anni. L'assistenza post-vendita comprende tra l'altro:

- Pulizia completa dell'inserito.
- Controllo del dispositivo di sollevamento dello sportello ed eventuale lubrificazione con grasso a base di rame **(disegno B, 1)**.
- Controllo delle molle del dispositivo automatico ed eventuale sostituzione.
- Controllo delle guarnizioni. Le guarnizioni devono essere sostituite se non sono integre o se si presentano indurite.

- Controllo della molla della trazione a catena. Verificare che la tensione delle catene sia uguale su entrambi i lati e che lo sportello si chiuda perfettamente sull'intero perimetro.
- Controllo del materiale termoisolante ed eventuale sostituzione.

**Il controllo deve essere eseguito da un installatore qualificato Utilizzare esclusivamente componenti originali.**

### **Pulizia**

Prima della pulizia è necessario portare la barra di regolazione completamente verso sinistra per evitare la penetrazione di cenere e fuliggine nell'automatismo.

### **Disegno C**

Estrarre la mensola del fumo (1). Tirare il deflettore in avanti sollevandolo verso l'alto e leggermente verso un lato. Inclinare un lato verso il basso. Il pannello è libero e può essere estratto dalla camera di combustione. Sollevare dai ganci il deflettore fumi d'acciaio (2) ed estrarlo.

### **Isolamento**

A lungo andare l'isolamento in Scamolex del vano combustione, efficace ma poroso, si consuma o si può danneggiare. Non rallenta la funzionalità della stufa una crepa nell'isolamento. Ma è comunque necessario cambiare lo Scamolex quando il suo spessore è meno della metà.

### **HWAM automatic™**

Controllare il punto di uscita a stufa fredda della lancetta del sensore. Il punto di uscita a stufa fredda è a circa 30° rispetto all'asse orizzontale. Deve essere libera di muoversi e molleggiata quando la si spinge, indipendentemente dal fatto che la stufa sia calda o fredda. In caso di aumento o di diminuzione della temperatura, non devono verificarsi movimenti bruschi. Le alette del registro di tiraggio devono essere asciutte e pulite e scivolare liberamente l'una sull'altra. Lubrificare eventualmente le barre di regolazione e la saracinesca con WD40 (mai con olio).

### **Sollevamento dello sportello (Disegno B)**

Il meccanismo di sollevamento dello sportello consiste di una catena di trazione ubicata su ciascun lato della stufa, e di una molla. Se il movimento dello sportello risulta rallentato, è possibile risolvere lubrificando le bussole degli ingranaggi delle catene e le sospensioni dello sportello (1) con grasso a base di rame (è importante che sia in grado di tollerare fino a 1.100°C). Questa operazione deve essere ripetuta una volta l'anno. Se lo sportello è ancora troppo lento, è possibile allentare leggermente la molla del dispositivo di sollevamento. Se lo sportello si chiude con eccessiva lentezza, la molla non è sufficientemente carica.

Per allentare o comprimere la molla procedere come segue:

Estrarre l'inserito dalla cassetta a muro. Accertarsi che lo sportello della camera di combustione (3) sia chiuso. Applicare sull'ingranaggio (5) l'utensile di serraggio (4) in dotazione con la stufa. Per comprimere la molla in modo da rallentare la chiusura dello sportello (oppure far sì che esso si mantenga in posizione completamente aperta), ruotare leggermente l'ingranaggio in senso orario. Ruotare l'utensile di serraggio (4) in senso antiorario. Per allentare la molla in modo da accelerare la chiusura dello sportello (oppure impedire che esso resti in posizione completamente aperta), sollevare il meccanismo di bloccaggio (6) e ruotare leggermente l'ingranaggio (5) in senso antiorario. Ruotare l'utensile di serraggio (4) in senso orario.

**IMPORTANTE!** Afferrare saldamente l'impugnatura dell'utensile di serraggio (4), in quanto sollevando il meccanismo di bloccaggio viene trasferita una notevole quantità di peso ed energia.

Dopo ogni regolazione, verificare l'effetto sulla chiusura dello sportello. Se l'effetto ottenuto non è quello desiderato, ripetere l'operazione. Dopo aver allentato la molla, si consiglia di afferrare saldamente

l'impugnatura durante la verifica, per evitare che, in caso di allentamento eccessivo, lo sportello scenda troppo rapidamente danneggiando il vetro.

**N.B. La regolazione, la lubrificazione e la riparazione di questi componenti devono sempre essere affidate a un tecnico qualificato.**

### **Superficie**

Normalmente non occorre trattare la superficie. Gli eventuali graffi alla vernice possono venire rimediati spruzzandoli con spray Senotherm.

### **Garanzia**

La mancata manutenzione provoca la decadenza della garanzia!

## **DISTURBI DEL FUNZIONAMENTO**

---

### **Il vetro si sporca**

- La legna è eccessivamente umida. Utilizzare solo legna conservata per almeno 12 mesi sotto una tettoia, con un grado di umidità max. del 20%.
- È possibile che la guarnizione dello sportello sia danneggiata.
- Apporto insufficiente di aria secondaria all'anta autopulente. Spingere verso destra la barra di regolazione fino a quando il vetro sia pulito.
- Alimentazione frequente del fuoco. Scaldare bene la stufa.

### **All'apertura dello sportello la stanza si riempie di fumo**

- È possibile che la valvola di regolazione nella canna fumaria sia chiusa. In tal caso è necessario aprirla.
- Tiraggio insufficiente nella canna fumaria. Consultare la sezione dedicata alla canna fumaria oppure rivolgersi a uno spazzacamino.
- Lo sportello di accesso per la pulizia non chiude ermeticamente o si è staccato. Sostituire o montare un nuovo sportello.
- Non aprire mai lo sportello in presenza di fiamme.

### **Combustione troppo rapida**

- La guarnizione dello sportello è danneggiata. Montare una nuova guarnizione.
- In caso di tiraggio eccessivo, può essere necessario portare la barra di regolazione sul minimo, cioè verso sinistra.

**In caso di anomalie di funzionamento che non è possibile risolvere autonomamente, rivolgersi al rivenditore presso il quale è stata acquistata la stufa.**

# DICHIARAZIONE DI CONFORMITÀ

---

Fabbricante:  
HWAM A/S  
Nydamsvej 53  
DK – 8362 Hørning

dichiara con il presente documento che:

Prodotto:	Modello:
Stufa a legna	HWAM I 30/55

È fabbricato in conformità con le seguenti direttive:

N. di riferimento:	Titolo:
89/106/EEC	Byggevedirektivet (Direttiva sui Prodotti da costruzione)

con i seguenti standard armonizzati:

N.:	Titolo:	Edizione:
EN 13229	Camini ad incasso che comprendono camini aperti alimentati da combustibili solidi	2001
EN 13229/A2	Camini ad incasso che comprendono camini aperti alimentati da combustibili solidi	2004

e con altri standard e/o specifiche tecniche

N.:	Titolo:	Edizione:	Parte:
NS 3058	Lukkede vedfyrte ildsteder Røykudslipp (Caminetti chiusi, fumi di scarico)		
NS 3059	Lukkede vedfyrte ildsteder Røykudslipp (Caminetti chiusi, fumi di scarico - Requisiti)		

---

Hørning, 18. febbraio 2008



Torsten Hvam Sølund  
Responsabile fabbrica e qualità

## Legislación

Si la estufa empotrada fuera a montarse en una chimenea abierta no aprobada de construcción reciente, ésta deberá cumplir siempre todos los requisitos legislativos y normas locales de construcción. Se recomienda consultar con un maestro deshollinador antes de instalar la estufa empotrada.

## Requisitos de la estancia

La estancia donde vaya a instalarse la estufa deberá poder ventilarse con aire fresco. Una ventana practicable o una válvula de aire regulable se considera suficiente.

Deberá tenerse en cuenta que no todos los tipos de vidrio son resistentes al calor. Por tanto una pared de cristal en algunos casos se puede considerar inflamable. Se recomienda consultar con el deshollinador local o el proveedor del vidrio sobre las distancias a guardar respecto a la estufa.

## Distancia a materiales inflamables

Consulte las normas locales de construcción respecto a las dimensiones del área no inflamable frente a la chimenea.

Si el suelo es inflamable, colóquelo a un mínimo de 30 cm sobre el suelo.

Si hubiera material inflamable en torno a la carcasa exterior, deberá instalarse un mínimo de 40 mm de material aislante no inflamable (paneles batts) entre la carcasa y el material inflamable. Esto es aplicable a todas las superficies de la carcasa. El material aislante deberá tener una conductividad térmica inferior a  $0,09 \text{ W/m} \times \text{K}$  (medido a 200 grados C). La conductividad térmica deberá ser por tanto menor de  $0,09 \text{ W/m} \times \text{K}$ .

## Requisitos del conducto de humos

La chimenea deberá tener una altura que garantice un tiro adecuado y no provoque problemas de humo. Tiro nominal: Aprox. 12 Pa.

La chimenea deberá tener un diámetro interior mínimo de  $\varnothing 150 \text{ mm}$ .

El diámetro interior del conducto deberá ser igual o superior a e lde la salida de la estufa.

La chimenea deberá estar provista de una compuerta de limpieza a la que se pueda acceder fácilmente.

## El conducto

El conducto es el “motor” de la estufa empotrada y es esencial para su buen funcionamiento. El tiro de la chimenea provoca una presión negativa en la estufa empotrada. Dicha presión elimina el humo de la estufa empotrada, succiona aire a través del regulador de tiro hasta el limpiavidrios (que mantiene el cristal libre de hollín) y succiona aire para la combustión a través de los reguladores primario y secundario.

El tiro de la chimenea se produce por la diferencia de temperatura entre el interior y el exterior de la chimenea. Cuanto más alta sea la temperatura en el interior de la chimenea, mejor será el tiro. Por eso es esencial que la chimenea se caliente en toda su extensión antes de cerrar los reguladores y limitar la combustión en la estufa (una chimenea de ladrillo tarda más en calentarse que una de acero).

En los días en que, debido al tiempo o al viento, la chimenea no tira correctamente, es muy importante que la chimenea se caliente rápidamente. Se trata de hacer llamas rápidamente. Puede cortar la leña en

láminas finas, utilizar un producto de encendido rápido, etc. Tras un largo periodo sin utilización importante comprobar que en el tubo de la chimenea no haya bloqueos.

Es posible añadir otros dispositivos a la misma chimenea. Las normas aplicables en esos casos deben estudiarse inmediatamente.

Una buena chimenea puede funcionar mal si se utiliza incorrectamente. E inversamente, una mala chimenea puede funcionar bien si se utiliza correctamente.

### **Barrido de la chimenea**

Para prevenir el riesgo de incendio, la chimenea debe limpiarse una vez al año. Los tubos de paso del humo y la cámara de humo situada encima de la plancha de acero de conductos del humo debe limpiarse al mismo tiempo. En los casos en que la altura de la parte superior de la chimenea dificulte su limpieza, deberá instalarse una puerta de limpieza.

En caso de que la chimenea se cierre y no se pueda controlar póngase en contacto con los bomberos. Para tener un mayor control de la chimenea, hay que barrerla.

Resultados de pruebas nominales con el EN 13229

Rendimiento nominal de calor	6,0 kW
Temperatura del humo	259°C
Flujo de la masa de humo	6,5 g/sec.

## **MONTAJE Y CONEXIÓN (DIBUJO A)**

---

HWAM I 30/55 consta de una carcasa exterior así como de un módulo interior separable que se coloca y se conecta una vez instalada la carcasa.

HWAM I 30/55 puede conectarse de 2 formas:

1. Montaje y conexión en una chimenea existente.
2. Nueva construcción en torno a la estufa empotrada, posiblemente con conductos de calor a otras habitaciones.

### **1. Montaje y conexión en una chimenea existente (Dibujo A1-A3)**

Antes de montar la estufa empotrada en una chimenea de mampostería, deberá extraerse el regulador de tiro de la chimenea actual, y el gollote para el humo si lo hubiera deberá ensancharse de forma que el tubo de humos de la estufa empotrada pueda conectarse directamente a la chimenea. Los ladrillos colocados de canto en el suelo de la chimenea deberán retirarse también.

Concierte de antemano con un especialista o deshollinador el lugar donde colocar la compuerta de limpieza (1) de forma que el tubo de humos pueda limpiarse desde arriba mientras la puerta de la estufa empotrada quede cerrada.

### **Montaje del tubo de humos (Dibujo A1)**

Primero se montará la tobera de conexión (2) con una pieza adecuada de tubo de humos o tubo flexible (3). Presionar el tubo interior en el empalme de conexión. El tubo interior debe girarse de forma que el asa se introduzca al máximo dentro del empalme de conexión.



Recortar unos 3 paneles de lana mineral resistente al fuego (4) de 50 mm, de forma que queden bien ajustados en el hueco de la chimenea, y recortar un orificio en el medio que quede ajustado al tubo. Colocar el tubo de humos en el hueco de la chimenea de forma que la brida de conexión se corresponda a las medidas indicadas:

- a. Distancia del borde delantero del orificio del muro si la estufa empotrada debe quedar a ras del muro.
- b. Altura sobre el suelo de la chimenea.

Recortar 3 paneles de lana mineral, presionar en torno al tubo de humos y hacia arriba en el hueco de la chimenea hasta conseguir un sellado firme y compacto.

### **Montaje de la carcasa (Dibujo A2)**

Si se desea montar los conductos para distribuir parte del calor de convección a otros espacios, extienda las dos placas que la campana tiene a ambos lados del orificio de salida del humo (Dibujo H).

Colocar la carcasa exterior (6) en el suelo de la chimenea presionando. Comprobar que quede bien nivelada y que el borde delantero quede a ras de la mampostería. Los 3 tornillos de ajuste situados al fondo de la carcasa sirven para ajustarla de forma que quede bien nivelada (dibujo F). Atornillar el empalme de conexión al panel del interior de la pared con los tornillos de rosca cortante suministrados.

Si la distancia entre la abertura de la chimenea y la carcasa exterior se cerrara con mampostería, deberá quedar una distancia mínima de 5 mm en torno a la carcasa. Por tanto la mampostería sobre la carcasa deberá ser autosustentadora. Fijar la carcasa a la mampostería utilizando entre 1 y 3 tornillos en el fondo.

### **Montaje de la estufa empotrada (Dibujo A3)**

Extraer el corta humos (7) de la estufa empotrada. Extraer la placa deflectora (8) de la estufa empotrada. Colocar un sello de Ø6 mm en el fondo del manguito de salida de humos. A continuación colocar la estufa empotrada en la carcasa exterior presionando. Introducir el tubo interior a fondo en el revestimiento del empalme de salida de humos. Volver a montar la placa deflectora (8) y la corta humos (7).

Sellar entre el tubo de humos y el conducto de la chimenea sobre los paneles de lana mineral con argamasa resistente al calor (5). Esto puede hacerse a través de la compuerta de limpieza (I) del conducto de la chimenea y sólo cuando la estufa empotrada haya sido instalada.

### **Conexión del aire fresco desde el exterior**

HWAM I 30/55 es apta para su conexión a un sistema de aportación de aire fresco. El sistema de aire fresco se compra en opción.

## **2. Reestructuración de la mampostería en torno a la estufa empotrada**

Durante la construcción la carcasa exterior deberá nivelarse cuidadosamente a una altura apropiada. Durante el proceso de construcción, deberá dejarse una distancia mínima de 5 mm entre la mampostería y la carcasa exterior. El marco de la carcasa exterior tiene una anchura de 25 mm, 20 mm en la parte superior. La mampostería sobre la carcasa deberá ser autosustentadora. No olvidar los tornillos de fijación entre la carcasa y la pared.

El tubo de humos y los posibles tubos de convección a otras habitaciones deberán montarse en la carcasa exterior durante la construcción.

La carcasa exterior no tiene capacidad de carga. Por tanto los tubos de humos de más de 2 m y posiblemente también la chimenea deberán asegurarse (con correas de suspensión) evitando cualquier carga sobre la carcasa.

Una vez finalizada la construcción, instalar la estufa empotrada como queda indicado en el punto 1.

### **Colocación de las piezas sueltas**

Antes de poner la estufa en funcionamiento, comprobar que todas las piezas sueltas estén correctamente instaladas.

- a. Corta humos (1). Deberá posicionarse sobre la placa posterior y las placas laterales oblicuas. Deberá quedar posicionada en línea sobre la placa trasera.
- b. Placa deflectora de acero (2). Montada en dos ganchos. Para su montaje elevar la placa y desplazar a la derecha hasta que quede prendida en los dos ganchos.

## **MANUAL DE ENCENDIDO — MADERA**

---

### **Primer encendido**

El primer encendido deberá realizarse con mucha precaución ya que todos los materiales deben exponerse gradualmente al calor. La laca que cubre la estufa se templará durante el primer encendido. La puerta deberá abrirse con cuidado ya que de lo contrario las juntas pueden quedar adheridas a la laca. La laca puede desprender un olor desagradable durante el primer encendido, por lo que se deberá procurar mantener la estancia bien ventilada.

### **Hay que saber:**

#### **Cuáles son con combustibles permitidos**

La cámara de combustión está previsto SOLAMENTE para quemar leña. Se recomienda utilizar ramas secas con un contenido de agua máximo del 20%. La quema de leña húmeda produce hollín, problemas ambientales y una mala economía de la combustión.

#### **Tipos de leña recomendados**

De todo tipo de árboles, por ejemplo abedul, haya, roble, olmo, fresno, coníferos y frutales se pueden utilizar en esta estufa. La mayor diferencia no reside en el valor como combustible sino en los diferentes pesos por m<sup>3</sup> que tienen las distintas especies de árboles. Mientras la haya pesa más por m<sup>3</sup> que, por ejemplo, el abeto, habrá que poner una mayor cantidad de abeto para obtener la misma cantidad de calor que produce la haya.

#### **Tipos de combustible prohibidos**

Está prohibido quemar:

- Impresos
- Tablero de viruta de madera
- Plástico
- Caucho
- Combustibles líquidos
- Basura, tal como cartones de leche
- Madera lacada, pintada o impregnada.

El motivo por el que no se deben quemar esos materiales es que su combustión provoca emisiones de sustancias perjudiciales para la salud y el medio ambiente. Esas sustancias también pueden estropear su estufa y la chimenea, con lo cual la garantía de los productos deja de ser válida.

## Conservación de la leña

El contenido de humedad de máximo 20% se consigue manteniendo la leña mínimo un año y mejor aún 2, al aire libre bajo tejado. La leña que se guarda dentro de un recinto tiende a resecaarse demasiado y se quema demasiado pronto, no obstante, se puede mantener un par de días en el interior antes de utilizarla.

## Dimensiones recomendadas

La dimensión del combustible es importante para conseguir una buena combustión. Las dimensiones deben ser las siguientes:

Tipo de combustible	Longitud en cm	Diámetro en cm
Leña de encendido (fina)	25-35	2-5
Leña cortada	30-40	7-9

## Modo de uso de la puerta

Para compensar una tracción desigual en el mecanismo de elevación de la puerta, ésta debe cerrarse y abrirse siempre sujetando el tirador por en medio.

Nótese que no se debe soltar el asa al abrir o cerrar la puerta. Si la puerta se cierra por su propio peso, se puede dañar el cristal.

## Regulación de la estufa (Dibujo E)

El tirador de regulación (1) está situado detrás del vidrio. El sistema automático se regula al máximo desplazando el tirador de regulación al extremo derecho y al mínimo desplazando el tirador de regulación al extremo izquierdo.

## Encendido

Desplazar el tirador totalmente a su posición derecha para ajustar el sistema automático a su efecto máximo. Introducir astillas equivalentes a unos 2 ó 3 trozos de madera (aprox. 2 kg) en la estufa. Colocar 2 pastillas de encendido entre la capa superior de las astillas. Encender dejando que el fuego se vaya extendiendo. Dejar la puerta entreabierta hasta que se no se produzca más condensación en el cristal (máx. 5 min.) Cerrar la puerta. Una vez todas las astillas hayan prendido con fuerza, colocar el tirador de regulación para la regulación de potencia en la posición central. Si el fuego se extingue al regular a la baja, es que se ha hecho antes de tiempo. Desplazar de nuevo el tirador de regulación a la derecha hasta que el fuego prenda mejor. Dejar consumirse todas las astillas hasta que no se produzcan más llamas.

**¡Importante!** La puerta sólo deberá abrirse para el encendido, la carga de leña y el vaciado de las cenizas.

## Alimentación

Cuando ya no se produzcan más llamas y quede una buena capa de brasas, puede volverse a alimentar el fuego. La capa de brasas es suficiente cuando las piezas de madera se han desintegrado y el fondo ha quedado cubierto de brasas. Las brasas deberán estar encendidas y formar un círculo en torno a la placa de cubierta, lo que muestra que el sistema automático ha abierto el aire primario que encenderá la madera. Introducir 2 ó 3 trozos de leña de 1 kg como máximo cada una. El sistema automático se encarga de regular la entrada de aire.

No obstante es posible regular la temperatura haciéndola ascender o descender desplazando el tirador de regulación hacia la izquierda y hacia la derecha respectivamente. Desplazando el tirador de regulación más hacia la izquierda se reduce el ritmo de combustión, prolongando el tiempo de combustión. Desplazándolo hacia la derecha se aumenta el ritmo de combustión, reduciendo el tiempo de combustión. Espere a que la capa de brasas esté lo suficientemente baja antes de introducir más leña.

## **Alimentación del fuego con carbón, briquetas y coques de energía**

HWAM I 30/55 no es apta para quemar carbón ni coques de energía. No obstante pueden utilizarse briquetas, que se colocan sobre las brasas de la madera. Desplazar el tirador de regulación totalmente a la posición derecha hasta que las briquetas se conviertan en ascuas.

**Recuerde volver a desplazar el tirador de regulación hacia la izquierda para reducir la combustión. El funcionar con otro tipo de combustible que no sea madera puede aumentar el riesgo de ensuciar el vidrio.**

## **ASPECTOS GENERALES DE FUNCIONAMIENTO**

---

### **Calor rápido o fuerte**

Se obtiene un calor más rápido o más fuerte quemando muchas piezas pequeñas de leña.

### **Cantidad máxima de combustible**

La combustión máxima por hora es de:

Madera: 2,4 kg                      Briquetas: 1,9 kg

Intervalo normal de encendido a capacidad nominal

Madera: 65 min                      Briquetas: 65 min

Si se sobrepasara dicho límite la garantía de fábrica de la estufa empotrada quedará invalidada y la estufa puede averiarse como consecuencia del excesivo calor. La estufa está aprobata para un uso intermitente (periódico).

### **Tiempo de combustión prolongado**

El tiempo de combustión puede prolongarse quemando pocas piezas de leña (mínimo 2) de gran tamaño a la vez que se regula a la baja el regulador.

### **Encendido insuficiente**

Si los materiales refractarios de la cámara de combustión quedan ennegrecidos tras el encendido, la estufa empotrada se contamina y el sistema automático no funcionará adecuadamente. El tirador de regulación deberá desplazarse hacia la derecha. También puede ser preciso quemar más cantidad de madera.

### **Tipos de combustible**

Se recomienda utilizar madera de abedul o de haya, partido y conservado durante al menos 1 año al exterior y bajo techo. La madera conservada en interiores suele researse y se consume rápidamente.

Las briquetas desprenden mucho calor. Algunos tipos de briquetas se expanden mucho, provocando una combustión incontrolada.

### **Al finalizar la combustión**

Cuando la estufa no esté siendo utilizada, desplazar el tirador de regulación al extremo izquierdo.

### **De esta forma consigue la mejor combustión**

#### **• Utilice leña seca y limpia.**

La leña húmeda produce una mala combustión, mucho humo y hollín. Además, el calor se utiliza para secar la leña y no para calentar la habitación.

#### **• Encienda poca cantidad a la vez.**

La mejor combustión se obtiene quemando poco a poco y con frecuencia. Si quema mucho material de una sola vez, tarda mucho en aumentar la temperatura hasta conseguir una combustión adecuada.

- **Vigile que haya una cantidad suficiente de aire.**

Garantice que haya suficiente aire, especialmente al comienzo, para que la temperatura en el horno suba rápidamente. Durante la combustión se liberan gases y partículas. Estos se depositan en la chimenea en forma de hollín (lo que conlleva el riesgo de incendio) o se expelen sin quemar a la atmósfera. Una cantidad inadecuada de aire produce una mala combustión y una menor eficacia.

- **No alimentar el fuego durante la noche**

Se desaconseja alimentar la estufa con leña y reducir el tiro de aire por la noche para que queden brasas por la mañana. De hacerlo, la estufa desprenderá grandes cantidades de humo nocivo y producirá mucho hollín, lo que puede provocar un incendio en la chimenea.

## LIMPIEZA

---

### Limpieza exterior

La limpieza de la estufa empotrada sólo deberá realizarse cuando se haya enfriado. El mantenimiento diario se reduce a un mínimo. Lo más sencillo es aspirar el exterior de la estufa empotrada con una boquilla provista de cepillo.

### Limpieza del vidrio (Dibujo G)

Si la cara interior del vidrio precisa limpiarse, elevar la puerta hasta la mitad e inclinar los dos pasadores (1) en la parte superior de cada lado detrás de la puerta hacia los lados de forma que se liberen de los tornillos (2). Extraer el vidrio y limpiar. Una vez limpio el vidrio, volver a elevar la puerta hasta la mitad e inclinar los pasadores hacia los lados. Colocar el vidrio y los pasadores sobre los tornillos.

La cara interior del vidrio se limpia fácilmente con papel de cocina humedecido e impregnado en ceniza. Secar con papel de cocina limpio.

La cara exterior del vidrio se limpia con cualquier producto de limpieza para superficies brillantes. Se recomienda limpiar el vidrio mientras la estufa está fría.

### Cenizas

Para vaciar la ceniza de la cámara de combustión recomendamos utilizar un aspirador para ceniza.

El desecho de cenizas puede llevarse a cabo mediante el servicio de recogida de basuras.

**Recuerde que las cenizas pueden contener brasas hasta 24 horas después de haberse apagado la estufa.**

## MANTENIMIENTO

---

### Mantenimiento

Comprobar a intervalos regulares que el entrehierro al limpiavidrios (dibujo C, 3) no contenga cenizas ni partículas de hollín. Comprobar a intervalos regulares que las juntas de la puerta están enteras y suaves. En caso contrario deberán cambiarse. Utilizar sólo juntas originales.

Una vez al año deberá realizarse un mantenimiento completo limpiando la cámara de combustión de cenizas y hollín. En caso necesario lubricar el dispositivo elevador de la puerta con grasa de cobre.

### Revisión

Al menos cada dos años la estufa empotrada deberá someterse a una revisión preventiva completa. Dicha inspección incluye lo siguiente:

- Limpieza completa de la estufa empotrada.
- Control del dispositivo elevador de la puerta y lubricar con grasa de cobre en caso necesario (**dibujo B, 1**).
- Control del resorte del automático. Cambiarlo si es necesario.
- Controlar las juntas. Cambiar las juntas si no están enteras y blandas.
- Control del muelle de la transmisión por cadena. Comprobar que la tracción de las cadenas sea uniforme en ambos lados y que el sellado de la puerta sea perfecto en todo su contorno.
- Control del material aislante térmico y cambio en caso necesario.

**Las revisiones deberán ser realizadas por un montador cualificado. Se deben utilizar exclusivamente repuestos originales.**

### **Limpieza**

Antes de iniciar el proceso de deshollinamiento desplazar el tirador de regulación al extremo izquierdo para evitar la entrada de hollín y cenizas en el sistema automático.

### **Dibujo C**

Extraer el corta humos (**1**). Empujar la placa hacia adelante, levantar y desplazar ligeramente a un lado. Inclinar uno de los lados. La placa está libre y puede extraerse de la cámara de combustión. Levantar la placa deflectora de acero (**2**) para liberarla de los ganchos y extraer.

### **Aislamiento**

El aislamiento de la cámara de combustión es muy eficaz, pero por su porosidad puede desgastarse con el tiempo.

El rendimiento de la estufa empotrada no se ve afectado por el agrietamiento del material aislante. No obstante, deberá cambiarse si por el desgaste llegara a reducirse a menos de la mitad del grosor original.

### **HWAM automatic™**

El punto de salida del brazo sensor se controla con el horno frío. El punto de salida con el horno frío está aproximadamente unos 30° por encima de la horizontal. Debe ser ligero y elástico, si se empuja hacia él, independientemente de si el horno está frío o caliente. Cuando la temperatura aumente o disminuye, no se debe mover de golpe. Las placas de la válvula deben estar secas y limpias y deslizarse libremente unas dentro de otras. Las barras de regulación y la válvula corrediza deben lubricarse eventualmente con WD40 (nunca aceite).

### **Dispositivo elevador de la puerta (Ilustración B)**

El mecanismo del dispositivo elevador de la puerta consta de una transmisión por cadena colocada a cada lado de la estufa y un muelle. Si la puerta no corre bien deberán lubricarse los casquillos de las ruedas de cadena así como los pernos de la puerta (**1**) con grasa de cobre (aconsejamos una tolerancia de temperatura de 1.100° C). Realice esta operación una vez al año. Si la puerta se abre y se cierra con demasiada rigidez, el muelle del mecanismo de apertura la puerta se puede aflojar ligeramente. Si la puerta se desliza demasiado es que el muelle está flojo.

El resorte puede soltarse o tensarse de la siguiente manera:

Retirar el revestimiento del panel del interior de la pared. Asegúrese de que la puerta de la estufa (**3**) esté cerrada. Monte las herramientas (**4**) suministradas junto con la estufa sobre la rueda dentada (**5**). Para tensar el resorte y que la puerta se cierre más lentamente (o pueda mantenerse levantada y total-

mente abierta), gire la rueda dentada (5) ligeramente en el sentido de las agujas del reloj. Para ello, gire la herramienta (4) en el sentido contrario a las agujas del reloj. Para soltar el resorte y que la puerta se cierre más rápidamente (o no quede totalmente abierta), levante el diente de trinquete (6) y gire la rueda dentada (5) ligeramente en el sentido contrario a las agujas del reloj. Para ello, gire la herramienta (4) en el sentido de las agujas del reloj. **¡IMPORTANTE!** Sujete bien la herramienta (4) al levantar el diente de trinquete, puesto que durante su elevación se transfieren un peso y una fuerza importantes.

Después de cada ajuste se debe comprobar si se ha conseguido el resultado deseado en el cierre de la puerta. Si no fuese este el caso, se ha de repetir el proceso. Si se ha soltado el resorte, se recomienda que, con la primera comprobación del resultado, se sujete con fuerza el tirador para asegurar que la puerta no queda demasiado suelta y que debido a ello pueda caer demasiado rápido, con el subsiguiente riesgo de dañar el cristal.

**Nota: La reparación y lubricación de estas piezas deberá ser llevada a cabo por un profesional.**

### **Superficie**

Generalmente las superficies no requieren ningún tratamiento específico. De ser necesario, se puede aplicar spray senotérmico donde la laca esté dañada.

### **Garantía**

De no realizarse el mantenimiento, la garantía quedará invalidada.

## **IRREGULARIDADES DE FUNCIONAMIENTO**

---

### **El cristal está sucio**

- La madera está demasiado húmeda. Utilice exclusivamente leña que haya estado conservada al menos durante 12 meses a cubierto y con un máximo de humedad del 20%.
- La junta de la puerta puede estar desgastada.
- Entrada de aire secundario insuficiente al limpiavidrios. Desplazar el tirador de regulación más hacia la derecha hasta que el vidrio quede limpio.
- “Fuego demasiado lento”. Calentar por completo la estufa empotrada.

### **La estancia se llena de humo al abrir la puerta.**

- El registro de la chimenea puede estar cerrado. Abrir el registro.
- Falta de tiro en la chimenea. Ver apartado sobre la chimenea o contactar con un deshollinador.
- La compuerta de limpieza está mal o se ha caído. Cambiar o montar la compuerta de limpieza.
- No abrir nunca la puerta mientras haya llamas.

### **Combustión incontrolada**

- Las juntas de la puerta están desgastadas. Cambiar las juntas.
- Si el tiro de la chimenea es excesivo, puede ser necesario desplazar el tirador de regulación hasta el mínimo, es decir, hacia la izquierda.

**En caso de producirse irregularidades que no pueda subsanar, rogamos se dirija al establecimiento donde ha comprado la estufa.**

# DECLARACIÓN DE CONFORMIDAD

---

Fabricante:  
HWAM A/S  
Nydamsvej 53  
DK – 8362 Hørning

Declara por la presente, que

El producto:	Tipo:
Horno de combustión	HWAM I 30/55

Está fabricado de conformidad con las disposiciones de las directivas siguientes:

Nº de referencia:	Título:
89/106/EEC	Directiva sobre los productos de construcción

Y de las posteriores normas de armonización:


Nº.	Título:	Edición:
EN 13229	Aparatos insertables, incluidos fuegos abiertos, para combustibles sólidos	2001
EN 13229/A2	Aparatos insertables, incluidos fuegos abiertos, para combustibles sólidos	2004

Y otras normas y / o especificaciones técnicas

Nº.	Título:
NS 3058	Lukkede vedfyrte ildsteder Røykudslipp (Chimeneas cerradas Røykudslipp para utilizar leña como combustible)
NS 3059	Lukkede vedfyrte ildsteder Røykudslipp (Chimeneas cerradas Røykudslipp para utilizar leña como combustible)

Hørning, 18 de febrero de 2008

---

  
Torsten Hvam Sølund  
Jefe de fábrica y director de calidad









**EN 13229:2001 / A2:2004**  
**Inset appliances fired by solid fuel**

---

Roomheater , Type	<b>HWAM I 30/55</b>
Thermal output:	6,0 kW
Fuel types	wood
Insulation outside the outer casing to adjacent combustible materials:	
- Side	40 mm
- Behind	40 mm
- Beneath	40 mm
- Above	140 mm
Distance to furnishings in front	800 mm
Emission of CO in combustion products	0,09 % / 1125 mg/m <sup>3</sup>
Particles	37 mg/m <sup>3</sup>
Energy efficiency	79,1 %
Flue gas temperatur	259 °C
Laboratory registration number	1625
Test report	RRF - 29 07 1556

The appliance is capable of intermittent operation.

The appliance can be used in a shared flue.

Follow the user's manual and use only recommended fuel.

---

**Norge**

**NS 3058, NS 3059**

Type	<b>HWAM I 30/55</b>
Brensel	ved
Afstand mot brennbart materiale:	
- alle kassetten's flater:	40mm ikke brennbart isolasjon og 40 mm luft
Partikulær utslipp	2,78 g/kg
SINTEF Produktdokumentasjon	110-0286

---

**Austria**

Art. 15A

RRF - 29 07 1556

---

**Switzerland**

VKF Zulassung

18199

---

HWAM A/S  
Nydamsvej 53 - DK 8362 Hørning  
Tel.: (+45) 86 92 18 33  
Fax: (+45) 86 92 22 18

**HWAM**

**2010**

---

EAN

S.nr.:

S.nr.:

S.nr.:

**hwam**

hwam@hwam.com  
www.hwam.com