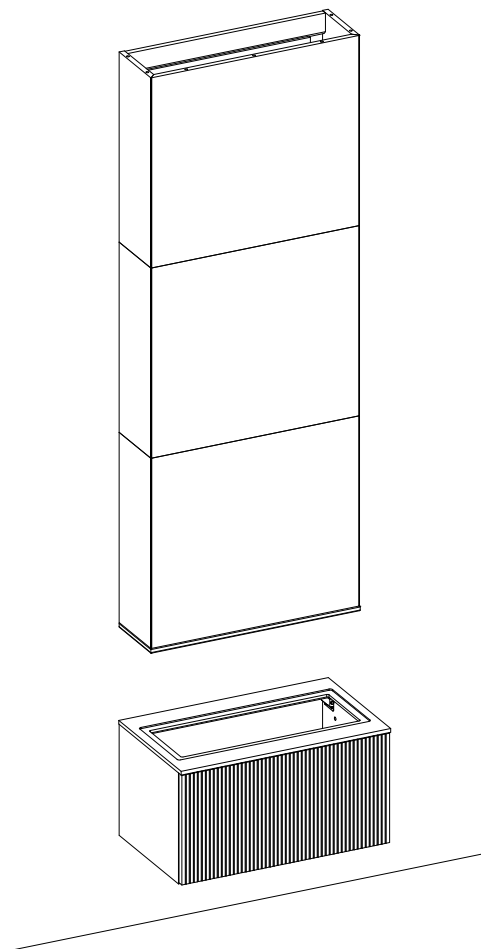
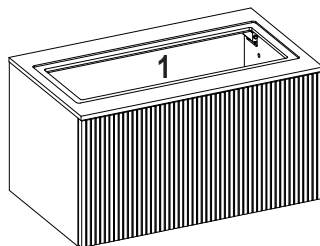
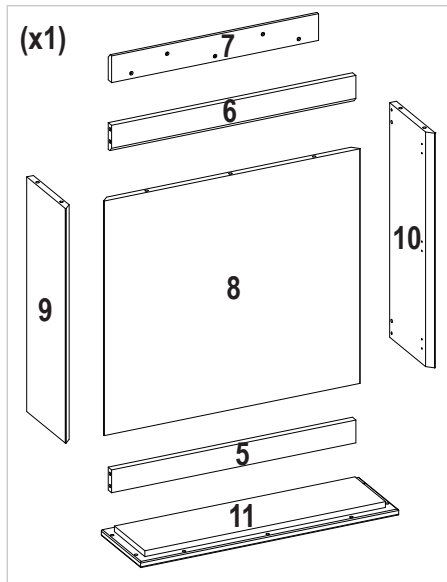
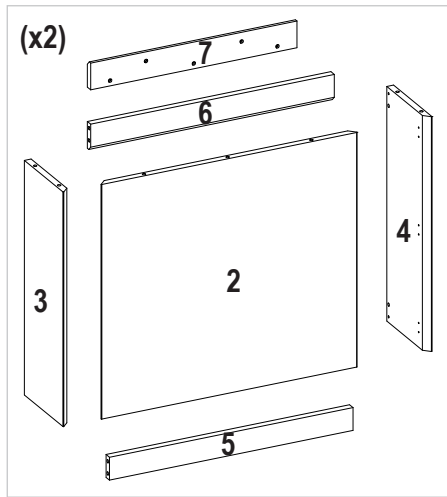
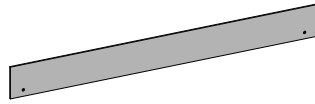


# INSTRUCTION



**IMPORTANT:** Please read this instruction carefully, keep for further reference and check all parts before assembling.





S2 x 1



A (12X)



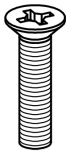
B (12X)  
Ø5



C (12X)  
8X35



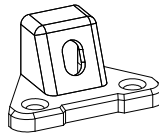
D (14X)  
8X45



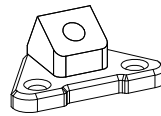
E (7X)  
M6L30



F (24X)  
3.5X16



G (6X)

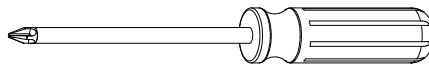


H (6X)



I (6X)

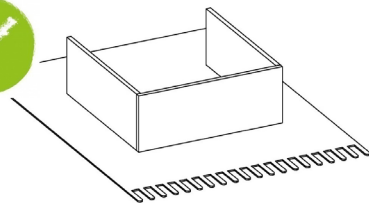
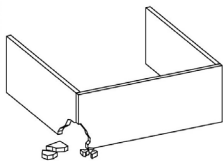
### TOOL LIST



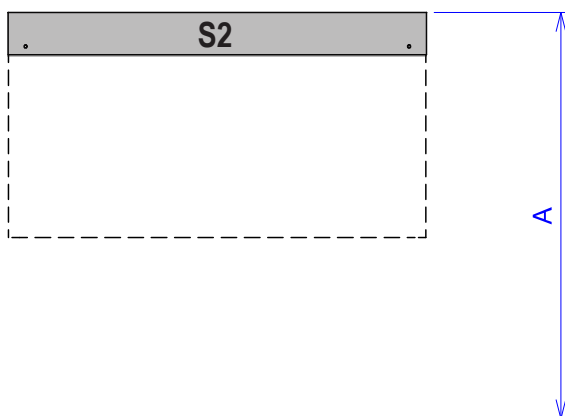
Screwdriver not included

Cross-head  
screwdriver  
to be used for  
A,B,E,F,I

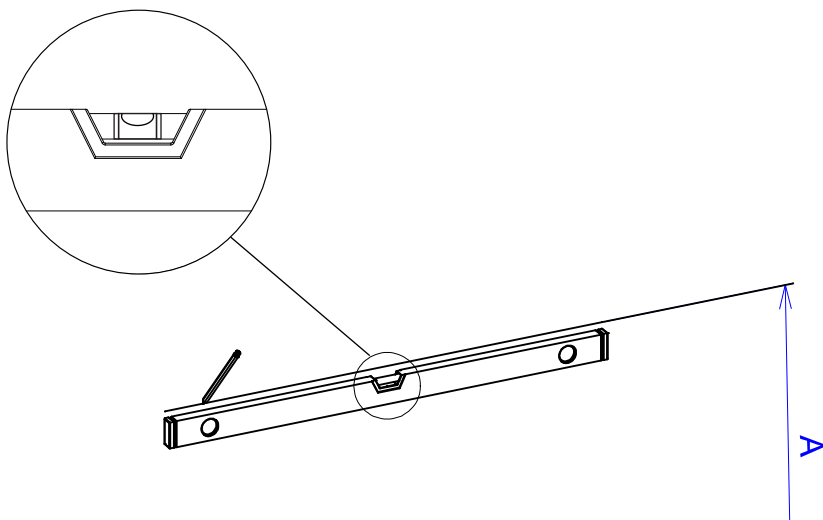
# MONTAGE / INSTALLATION / MONTAGE



1



2



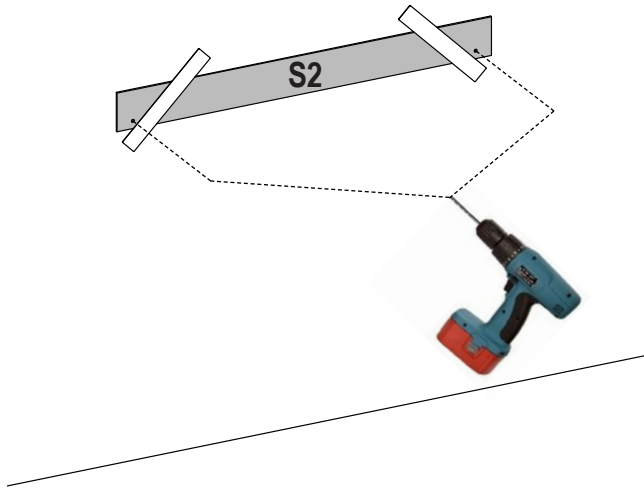
4

**3**

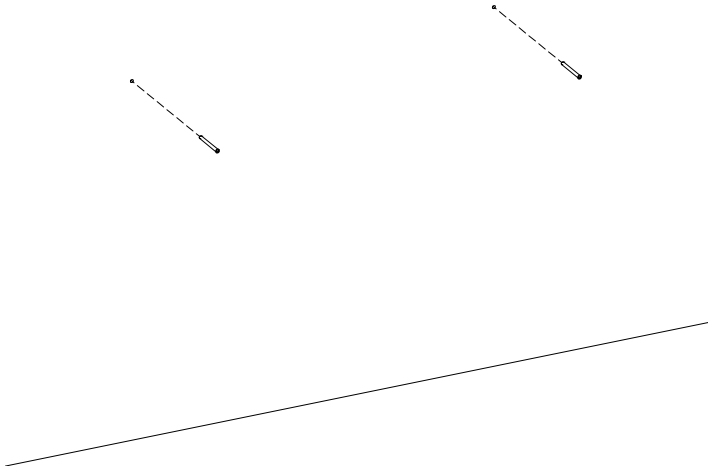
Gebruik de mal S2 om de gaten te boren

 Ø8mm

> 65mm diep

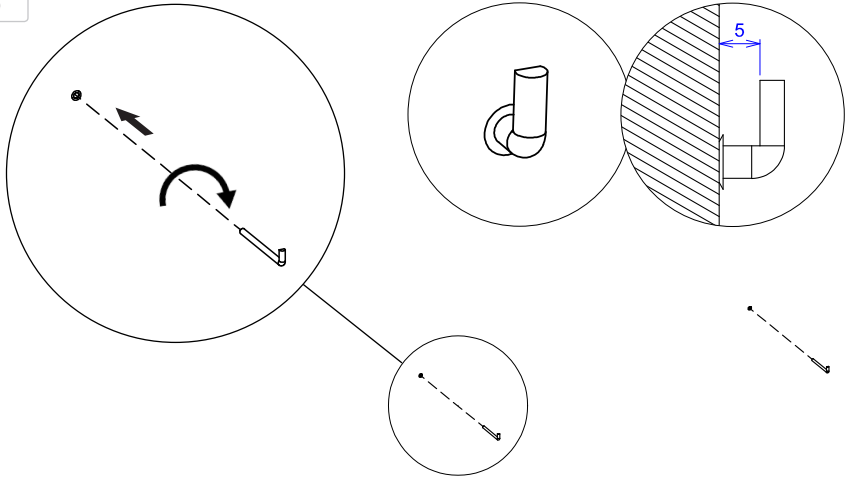


**4**

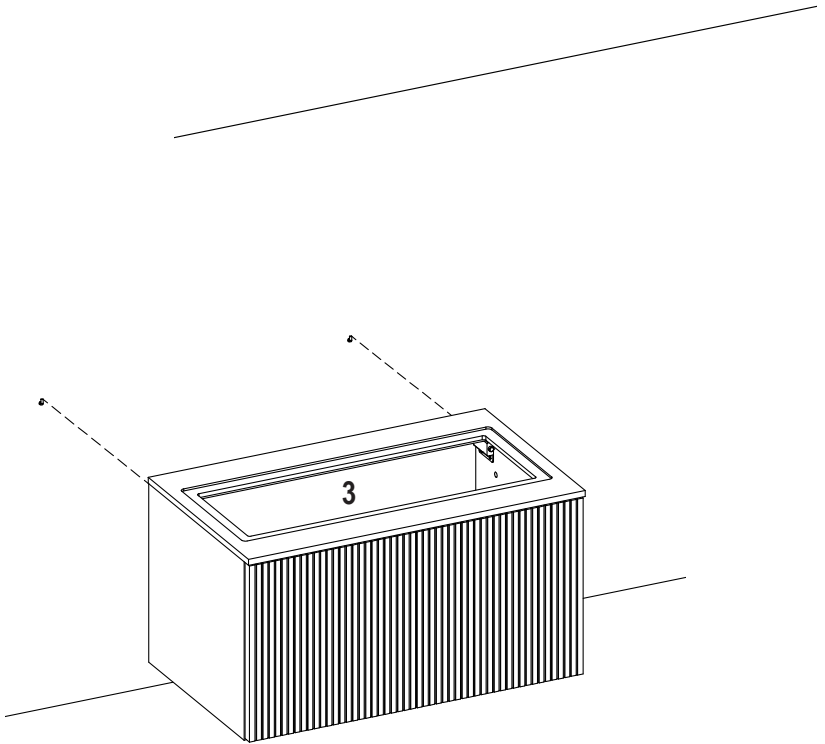


voor beton gebruik schroefduim

5



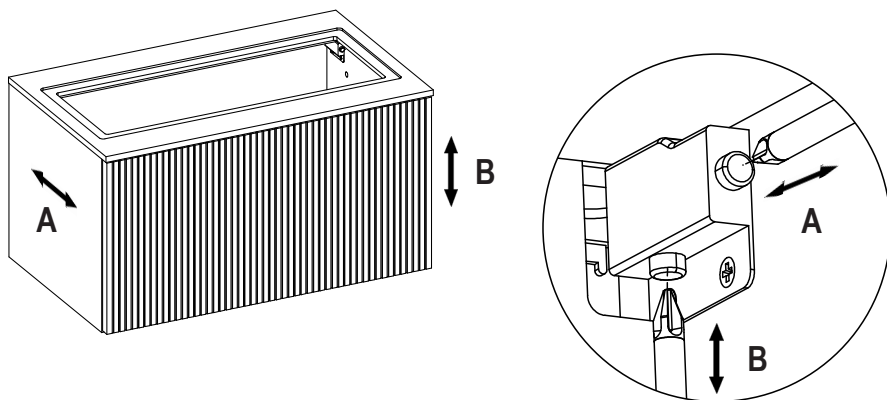
6



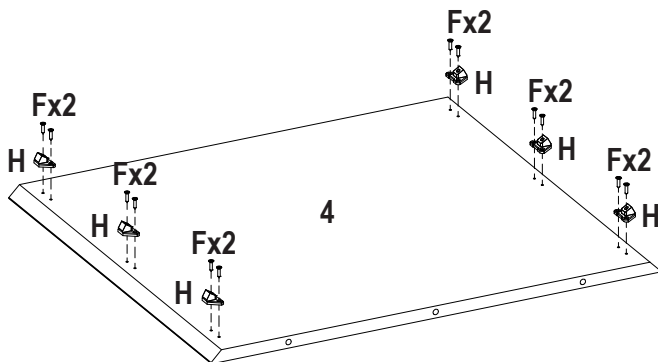
6

# STELMOGELIJKHEDEN

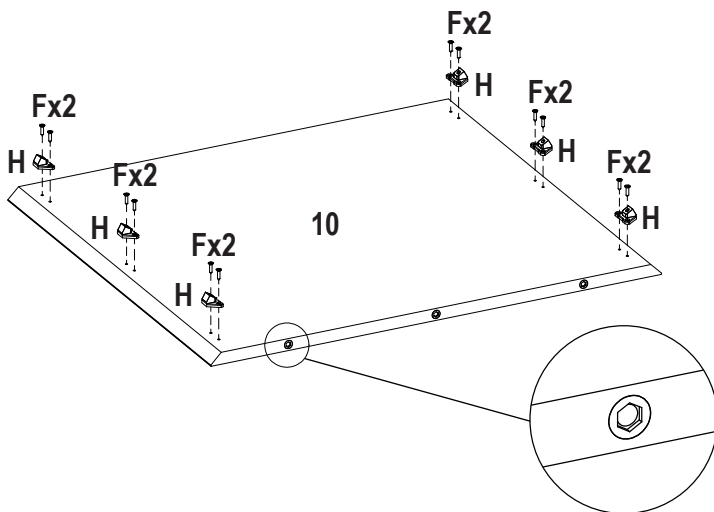
A - Stel de ophangmechanieken af

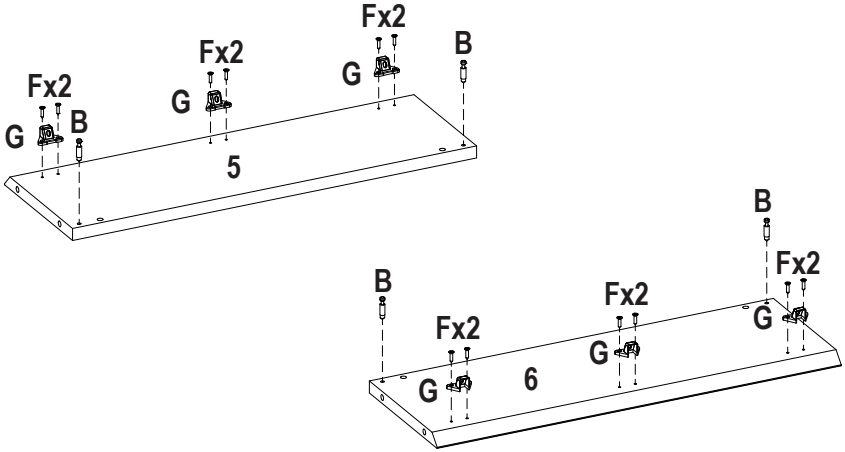
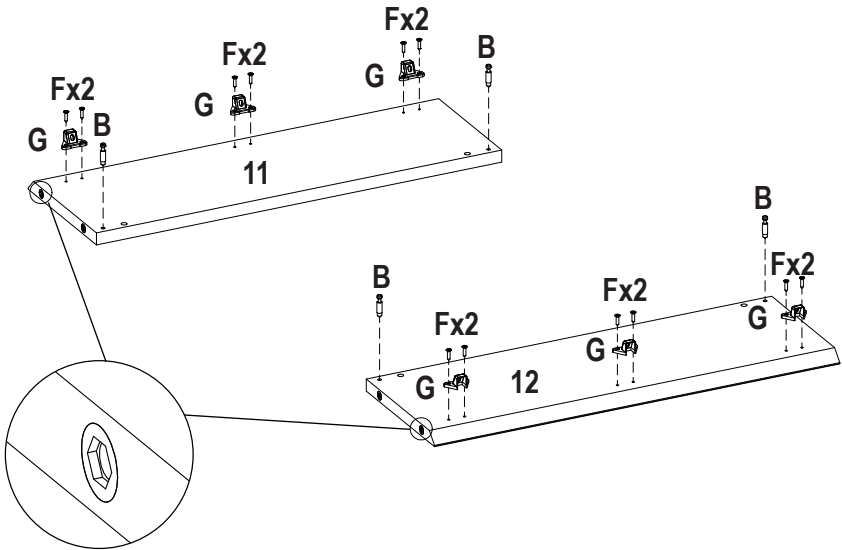


7 (x2)



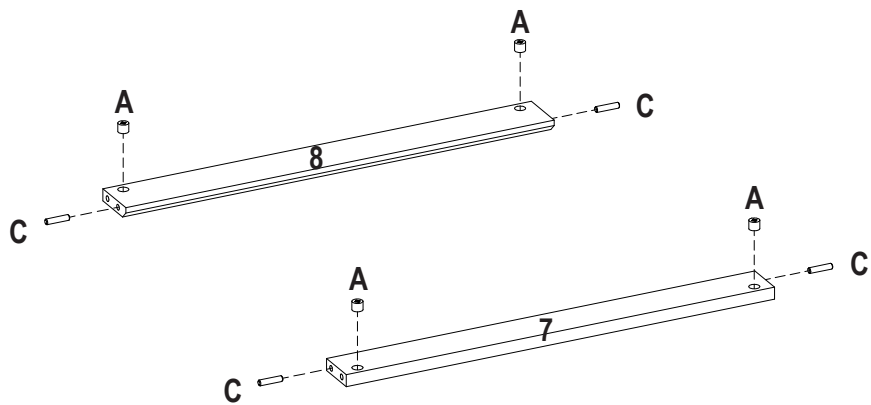
8



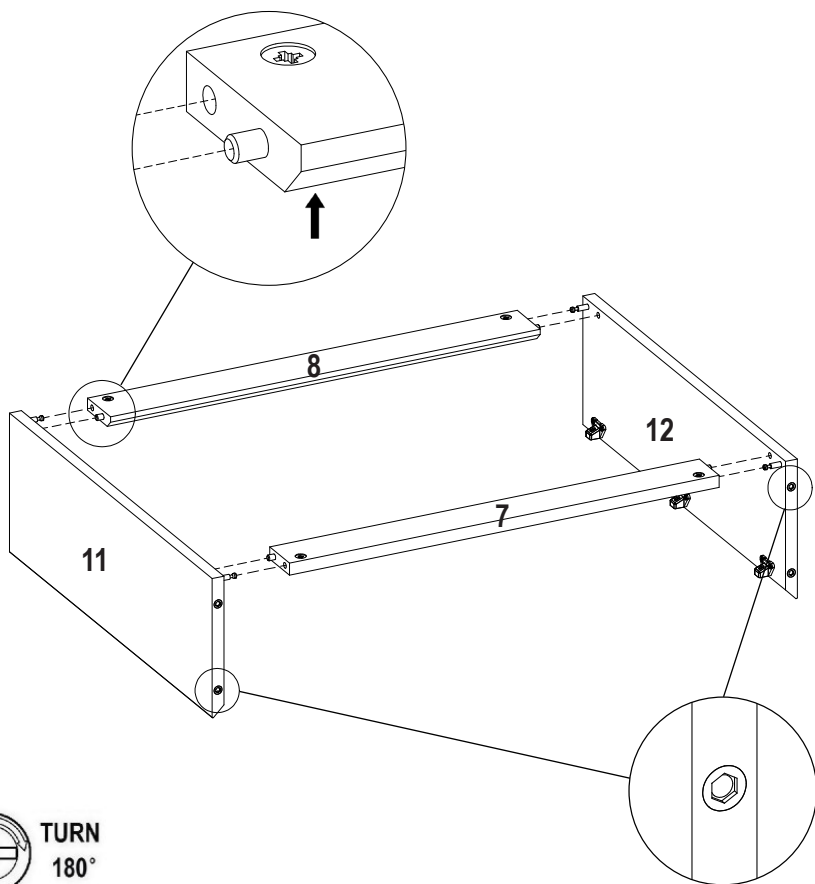
**9****(x2)****10**



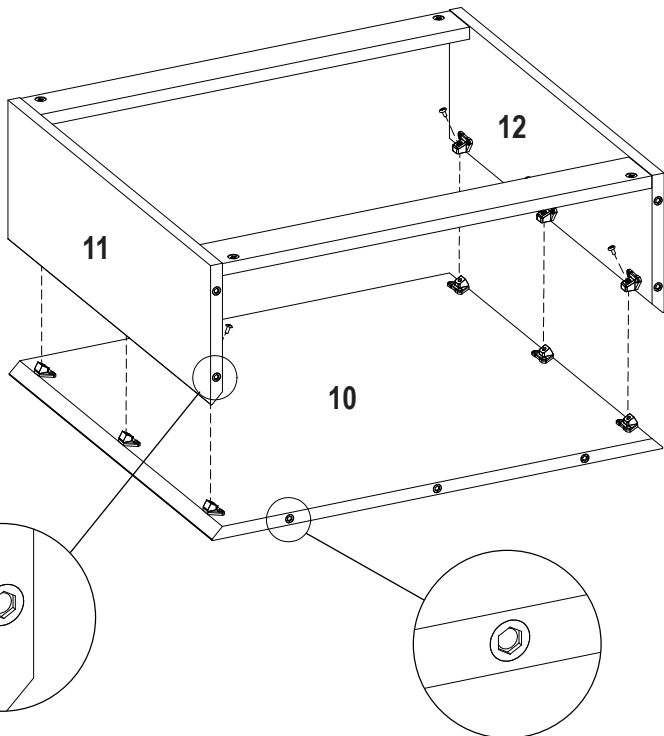
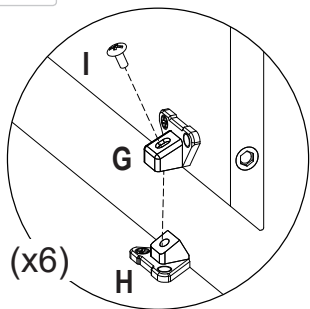
11 (x3)



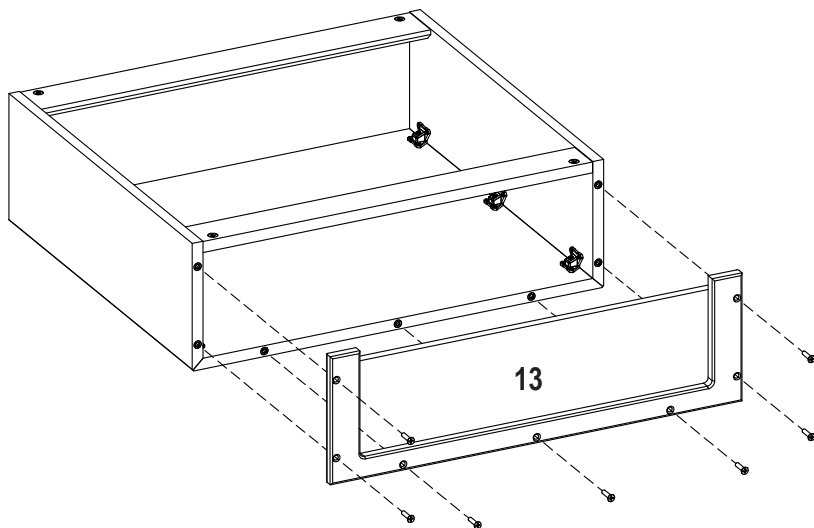
12



13

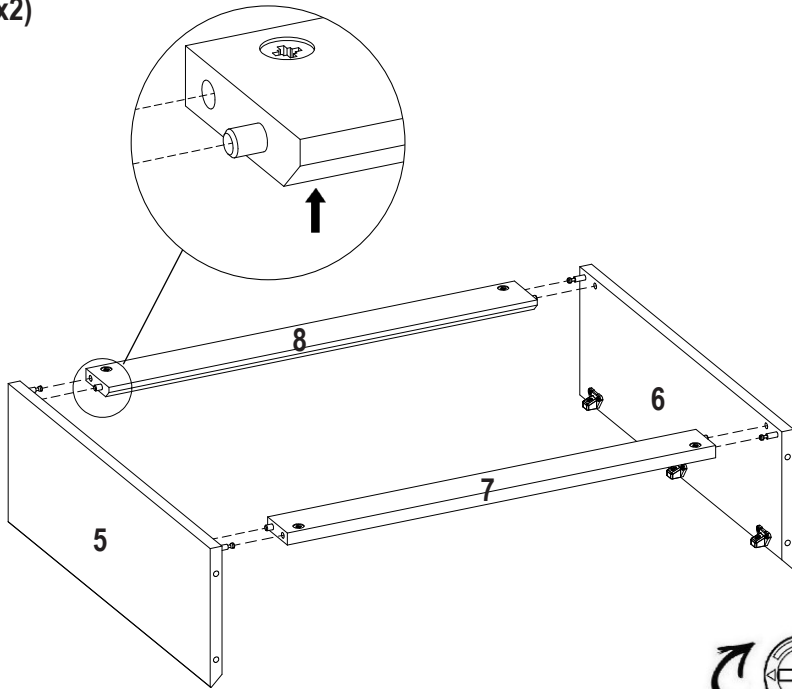


14



10

**15** (x2)



**16** (x2)

