

Jøtul F 164 / F 165 Jøtul F 166 / F 166 C / F 167 / F 167 C

GB	- Installation and Operating Instructions	3
FR	- Manuel d'installation et d'utilisation	15
ES	- Instrucciones para instalación	28
IT	- Manuale di installazione ed uso	41
NL	- Installatie- en montagehandleiding	54



Jøtul F 164



Jøtul F 165



Jøtul F 166



Jøtul F 167



Jøtul F 166 C



Jøtul F 167 C



MILJØMERKET, ovner, 278 012



Manualene må oppbevares under hele produktets levetid. The manuals which are enclosed with the product must be kept throughout the product's entire service life. Les manuels fournis avec le produit doivent être conservés pendant toute la durée de vie du produit. Los manuales suministrados con este producto deben guardarse durante todo el ciclo de vida del producto. I manuali inclusi con il prodotto vanno conservati per l'intera durata di vita del prodotto. Das im Lieferumfang des Produkts enthaltene Begleitmaterial ist über die gesamte Nutzungsdauer aufzubewahren. De bij de haard meegeleverde handleidingen moeten gedurende de volledige gebruiksduur van de haard bewaard blijven.

Table of contents

Installation manual with technical data

- 1.0 Relationship to the authorities3
- 2.0 Technical data3
- 3.0 Safety 9
- 4.0 Installation 9
- 5.0 Daily use 13
- 6.0 Service..... 14
- 7.0 Maintenance 14
- 8.0 Optional Equipment 14
- 9.0 Warranty..... 14

1.0 Relationship to the authorities

Installation of a fireplace must be according to local codes and regulations in each country.

All local regulations, including those that refer to national and European standards, shall be complied with when installing the product.

Before use read the Installation and Operating Instructions carefully. Prior to using the product the installation must be inspected by a qualified person.

A name plate of heat-resistant material is affixed in the base / pedestal. This contains information about identification and documentation for the product.

2.0 Technical data

Material:	Cast iron
Finish:	Black paint
Fuel:	Wood
Log length, max:	33 cm
Flue outlet:	Top/rear
Flue pipe dimension:	Ø150 mm, 177 cm ² cross section
Weight F 164 / F 165:	145 kg
• with soapstone set:	225 kg
Weight F 166 / F 167:	140 kg
Weight F 166 C / F 167 C:	159 kg
Optional equipment:	Fireplace set Soapstone set - complete (Not for Jøtul F 166 and Jøtul F 167) Soapstone top

Dimensions, distances: See **fig. 1a** and **fig. 1b**

Technical data according to EN 13240

	Jøtul F 164	Jøtul F 165
	Jøtul F 166	Jøtul F 167
	Jøtul F 166 C	Jøtul F 167 C
Nominal heat output:	5 kW	5 kW
Flue gas mass flow:	5,0 g/s	5,0 g/s
Recommended chimney draught:	12 Pa	12 Pa
Efficiency:	83%@5,9 kW	82%@5,9 kW
CO emission (13% O ₂):	0,06%	0,10%
CO emission (13% O ₂):	792 mg/Nm ³	1242 mg/Nm ³
Flue gas temperature:	260° C	260° C
Operational type:	Intermittent	Intermittent

Intermittent combustion is here taken to mean normal use of a fireplace. I.e. that a new flame chamber is lit as soon as the fuel has burnt down to the appropriate quantity of embers.



Product: Jøtul Room heater fired by solid fuel				CE
Standard: Minimum distance to adjacent combustible materials: Emission of CO in combustion products: Flue gas temperature: Nominal heat output: Efficiency: Operational range: Fuel type: Operational type: The appliance can be used in a shared flue.				
Country	Classification	Certification standard	Approved by	
Norway	Mbose II			
Sweden	visc.	SP	SP-Sveriges Provnings- och Forskningsinstitut AB	
EUR	Intermittent	EN	EN-Swedish National Testing and Research Institute	
Follow user's instructions. Use only recommended fuels. Montage- und Bedienungsanleitung beachten. Verwenden Sie nur empfohlenen Brennstoffen. Respecter les consignes d'utilisation. Utilisez uniquement les combustibles recommandés.				
Serial no: Y-xxxx. Year: 200x				
Manufacturer: Jøtul AS POB 1441 N-1602 Fredrikstad Norway				221546

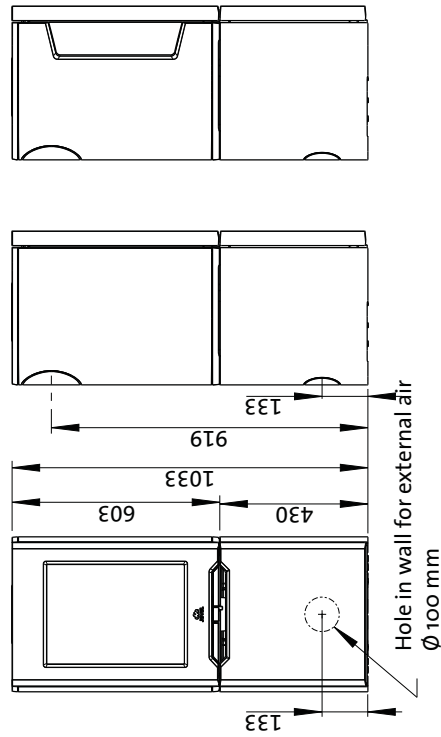
On all our products there is a label indicating the serial number and year. Write this number in the place indicated in the installation instructions.

Always quote this serial number when contacting your retailer or Jøtul.

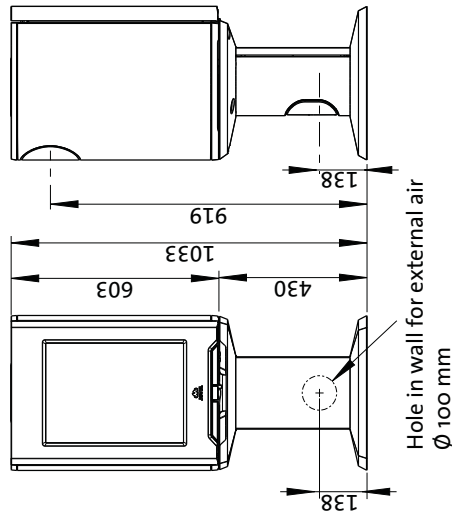
Serial no.

Fig. 1a Jøtul F 164 / Jøtul F 165 / Jøtul F 166 / Jøtul F 167 / Jøtul F 167 C / Jøtul F 166 C / Jøtul F 167 C

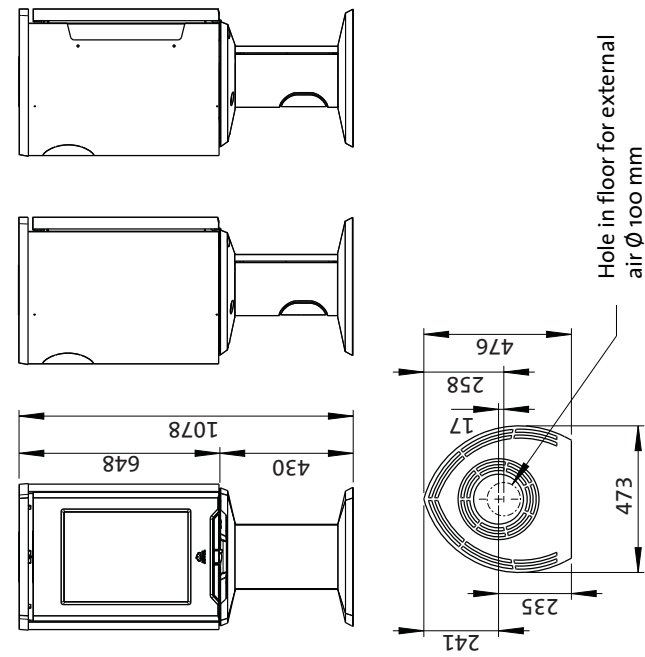
Product: Jøtul F 164 / Jøtul F 165



Product: Jøtul F 166 / Jøtul F 167

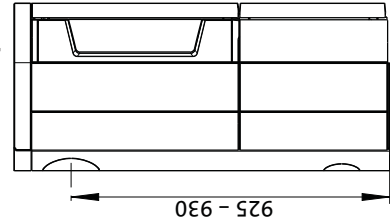


Product: Jøtul F 166 C / Jøtul F 167 C

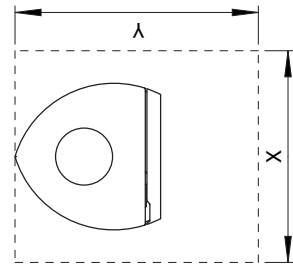


Hole in floor for external air \varnothing 100 mm

Jøtul F 164 / Jøtul F 165 with soapstone set and floor plate



Smoke outlet when using soapstone set and floor plate



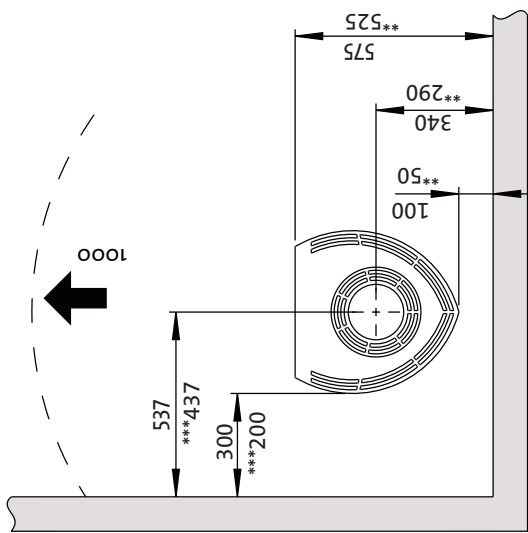
Min. measurements floor plate X,Y = According to national standards and regulations. See chapter 4.1

Jøtul F 166 C / Jøtul F 167 C

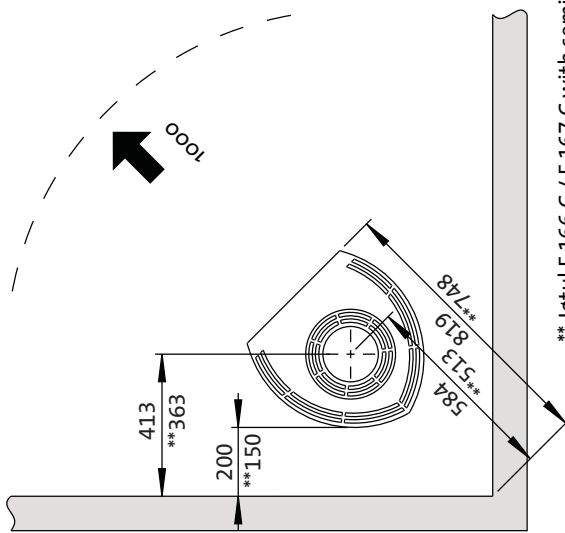
Jøtul F 164 / Jøtul F 165 / Jøtul F 166 / Jøtul F 167

Fig. 1b

Min. distance to combustible wall, convection model



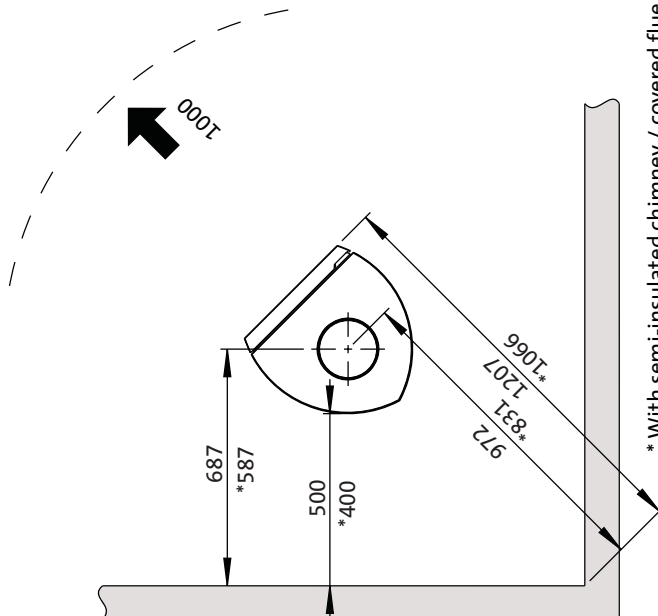
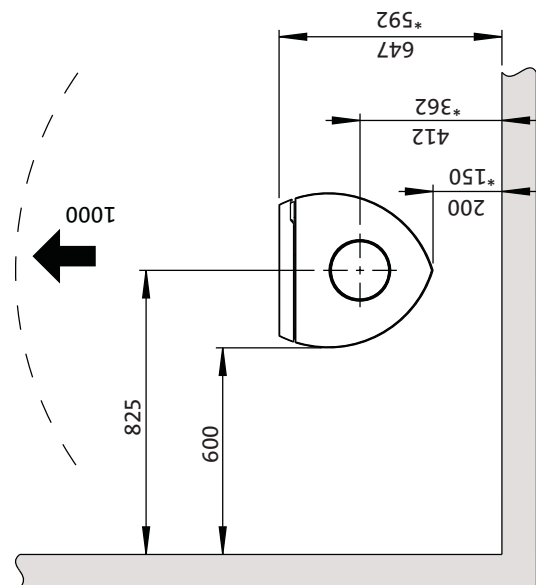
*** For Jøtul F 166 C only



** Jøtul F 166 C / F 167 C with semi-insulated chimney / covered flue pipe down towards the product.

900128-P02

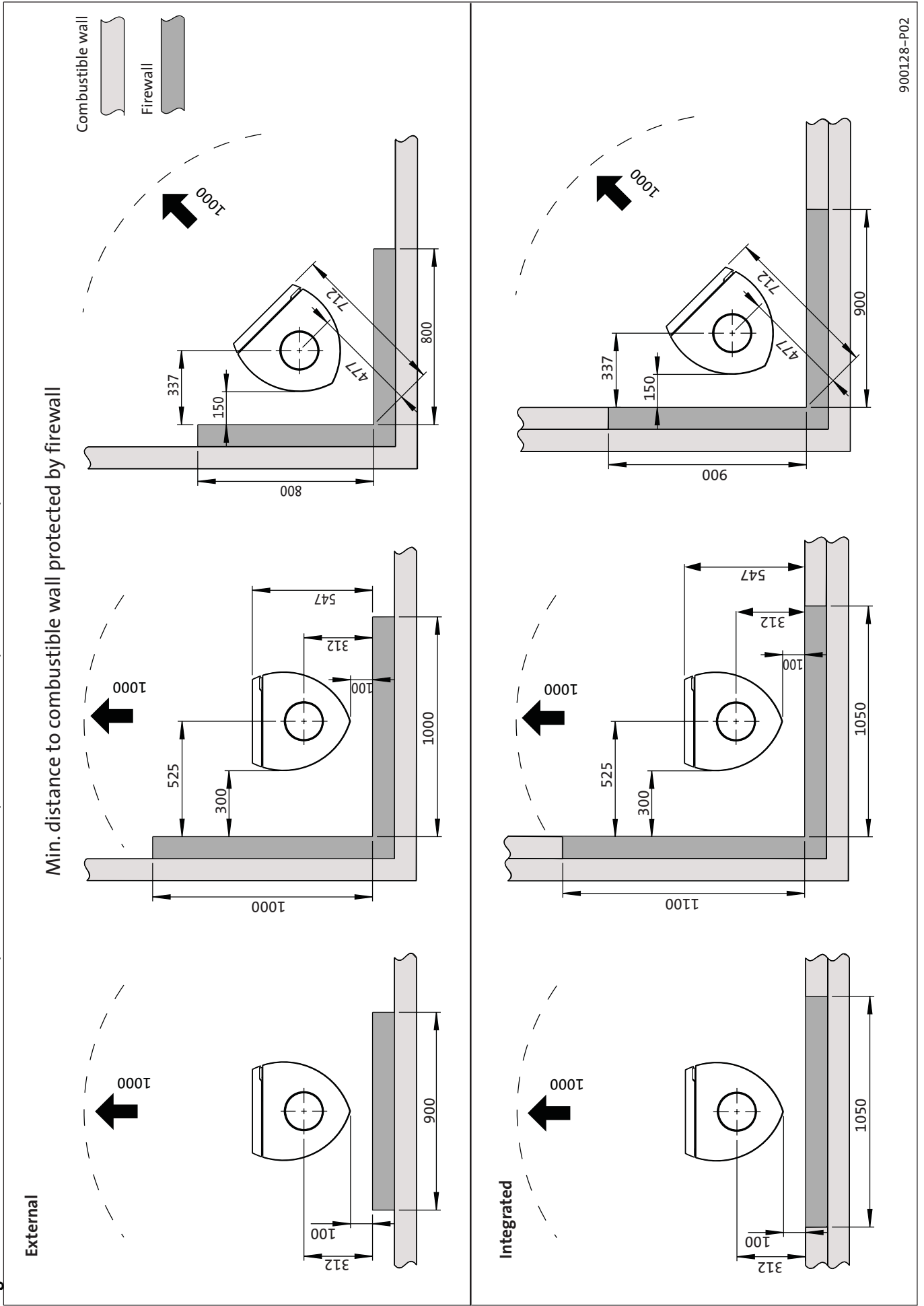
Min. distance to combustible wall, base model



* With semi-insulated chimney / covered flue pipe down towards the product.

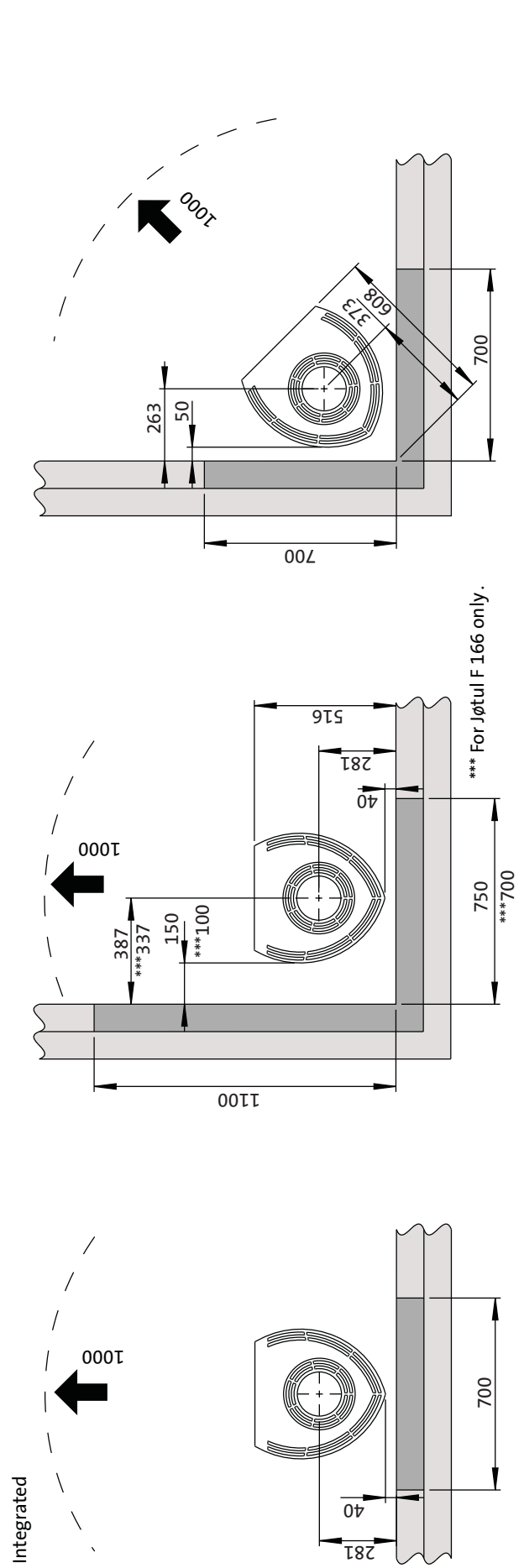
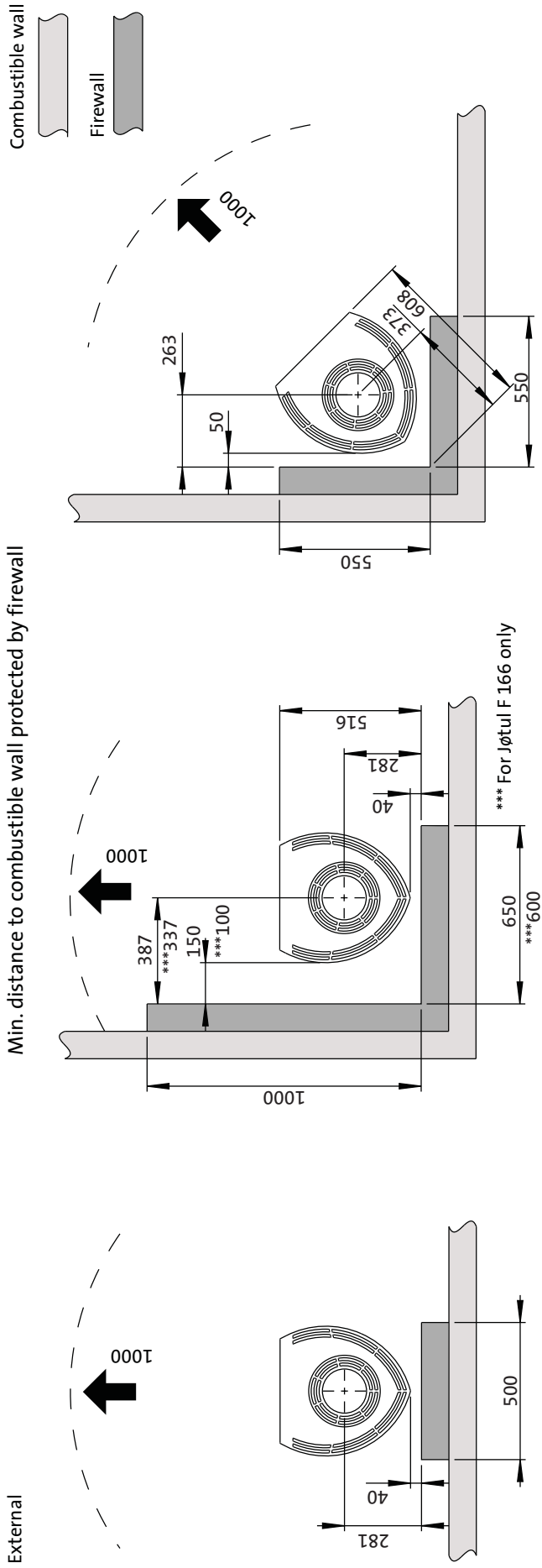
Jøtul F 164 / Jøtul F 165 / Jøtul F 166 / Jøtul F 167

Fig. 1c



Jøtul F 166 C / Jøtul F 167 C

Fig. 1d



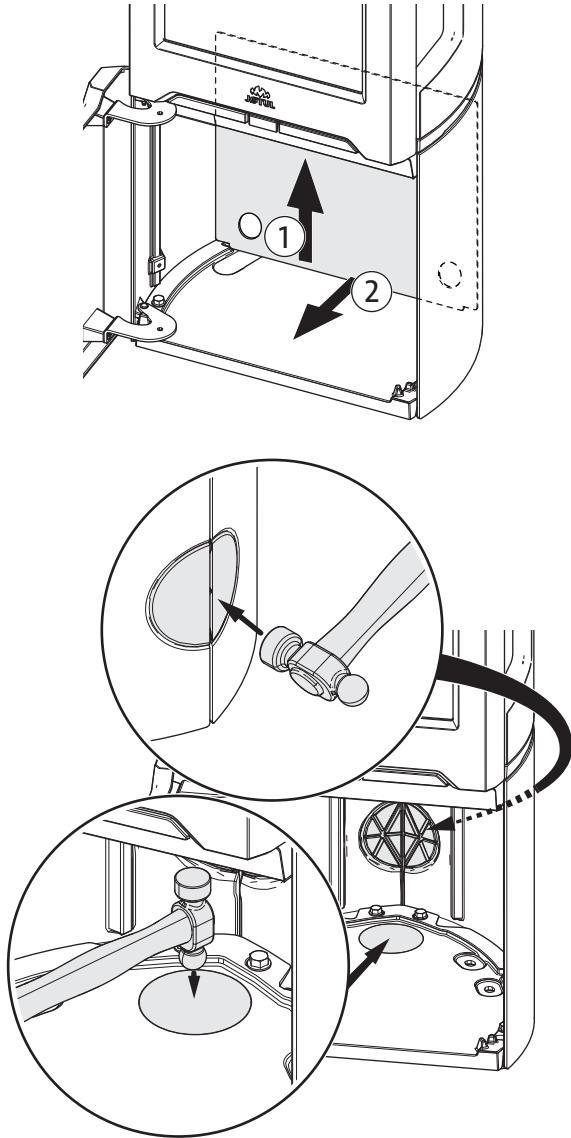
ENGLISH

Air supply

The outside air connection may be fitted directly to the product through:

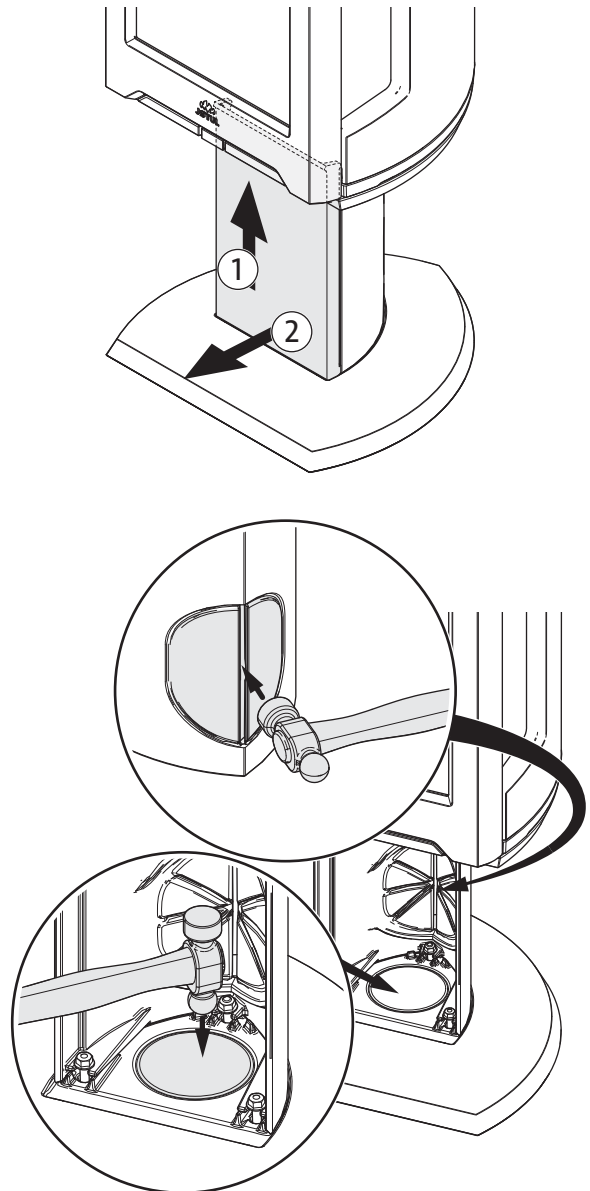
- Through a flexible supply hose from the outside or chimney (only if the chimney has its own duct for external air) and to the product's outside air connector.

Fig. 2a, for Jøtul F 164 and Jøtul F 165:



1. Use a heavy mallet and strike hard in the middle of the knockout.

Fig. 2b, for Jøtul F 166 and Jøtul F 167:



1. Use a heavy mallet and strike hard in the middle of the knockout.

Fig. 2c, through an outside wall

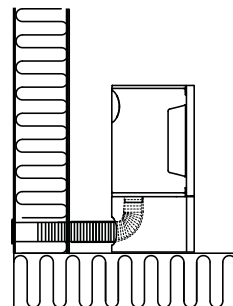


Fig. 2d, through the floor and ground plate

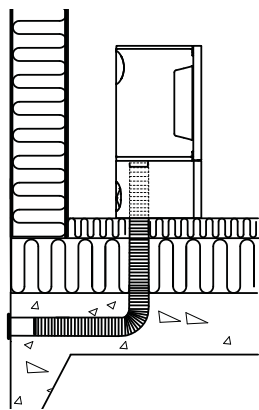


Fig. 2e, through the floor and basement

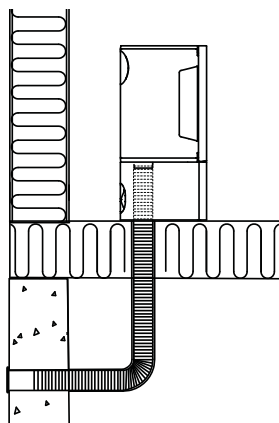
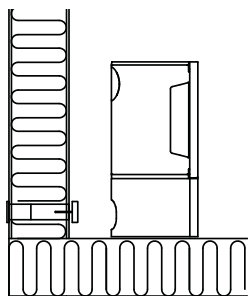


Fig. 2f, indirectly through an outside wall



3.0 Safety

NB! To guarantee optimal performance and safety, Jøtul stoves must be fitted by a qualified installer.

Any modifications to the product by the distributor, installer or consumer may result in the product and safety features not functioning as intended. The same applies to the installation of accessories or optional extras not supplied by Jøtul. This may also be the case if parts that are essential to the functioning and safety of the fireplace have been disassembled or removed.

In all these cases, the manufacturer is not responsible or liable for the product and the right to make a complaint becomes null and void.

3.1 Fire Prevention Measures

There is a certain element of danger every time you use your fireplace. The following instructions must therefore be followed:

- The minimum safety distances when installing and using the fireplace are given in **fig. 1a** and **fig. 1b**.
- Ensure that furniture and other flammable materials are not too close to the fireplace. Flammable materials should not be placed within 1 metre of the fireplace.
- Allow the fire to burn out. Never extinguish the flames with water.
- The fireplace becomes hot when lit and may cause burns if touched.
- Only remove ash when the fireplace is cold. Ash can contain hot embers and should therefore be placed in a non-flammable container.
- Ash should be placed outdoors or be emptied in a place where it will not present a potential fire hazard.

In case of chimney fire:

- Close all hatches and vents.
- Keep the firebox door closed.
- Check the loft and cellar for smoke.
- Call the fire service.
- Before use after a fire an expert must check the fireplace and the chimney in order to ensure that it is fully functional.

4.0 Installation

N.B. Check that the fireplace is free of any damage prior to commencing installation.

The product is heavy! Make sure you have assistance when erecting and installing the fireplace.

4.1 Floor

Foundations

Ensure that the floor is strong enough for the fireplace. See «2.0 Technical data» for weights. It is recommended that flooring which is not fastened to the foundations – so-called floating flooring – is removed during installation.

Combustible floor protection

If the fireplace is to be mounted on a combustible floor, cover the floor under and in front of the fireplace with a plate of metal or other non-combustible material. The recommended minimum thickness is 0,9 mm.

Any flooring made of combustible material, such as linoleum, carpets, etc. should be removed from under the floor plate.

The plate must be in accordance with national laws and regulations.

Contact your local building authority regarding restrictions and installation requirements.

4.2 Walls (Fig. 1)

Distance to wall made of combustible material

You may use the fireplace with an uninsulated flue pipe provided the distances to walls made of combustible materials are as shown in **fig. 1b**.

Distance to wall with insulated flue pipe: See * **fig. 1b** and **fig. ** 1b**.

ENGLISH

Distance to walls covered by a firewall

Contact your local building authority regarding restrictions and installation requirements (fig. 1c and fig. 1d).

Firewall requirement

The firewall must be at least **100 mm** thick and be made of brick, concrete-stone or light concrete. Other materials and constructions with satisfactory documentation may also be used.

Distance to non combustible walls

By non combustible one means a non load-bearing wall of solid brickwork/concrete.

Contact your local building authority regarding restrictions and installation requirements.

4.3 Chimneys and flue pipes

- The fireplace can be connected to a chimney and flue pipe approved for solid fuel fired appliances with flue gas temperatures specified in «2.0 Technical data».
- The chimney's cross-section must be at least as big as the flue pipe's cross-section. See «2.0 Technical data» when calculating the correct chimney cross-section.
- Several solid fuel fired appliances can be connected to the same chimney if the chimney's cross-section is sufficient.
- Connection to the chimney must be carried out in accordance with the installation instructions from the supplier of the chimney.
- Before making a hole in the chimney the fireplace should be test-mounted in order to correctly mark the position of the fireplace and the hole in the chimney. See fig. 1 for minimum dimensions.
- Ensure that the flue pipe is inclined all the way up to the chimney.
- Use a flue pipe bend with a sweeping hatch that allows it to be swept.

Be aware of the fact that it is particularly important that connections have a certain flexibility in order to prevent movement in the installation leading to cracks.

N.B. A correct and sealed connection is very important for the proper functioning of the product.

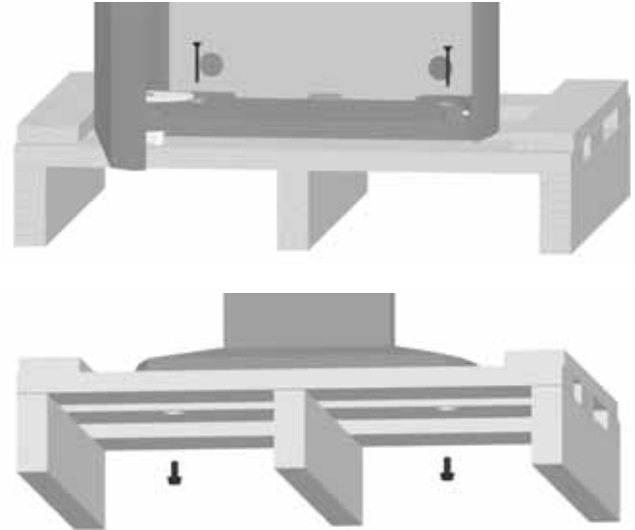
Chimney draught; See «2.0 Technical data». If the draught is too strong you can install and operate a flue damper to control the draught.

4.4 Assembly prior to installation

The product is delivered in a single packing case. After unpacking the stove check that the stove is free of any damage and that the regulating handles works.

NB! The product is attached to the pallet with 2 screws.

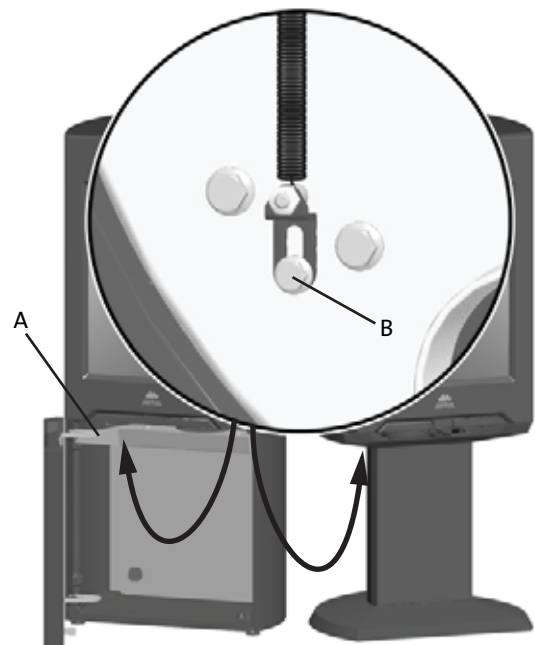
Fig. 3



4.5 Adjusting door mechanism

The product is delivered with a selfclosing doormechanism. If necessary this can be adjusted.

Fig. 4



For Jøtul F 164 and Jøtul F 165:

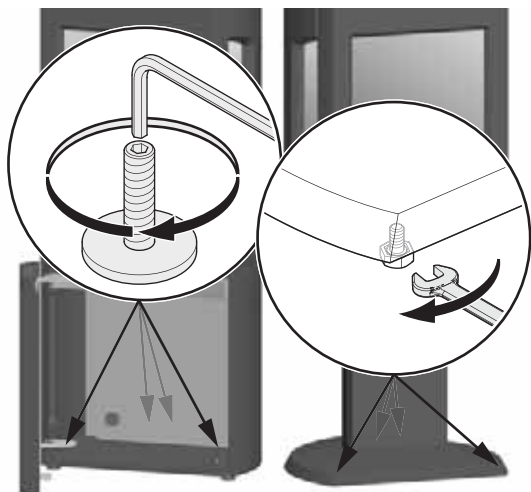
1. Remove the heat shield (Fig. 4 A).
2. Loosen the screw (Fig. 4 B).
3. Adjust the spring by moving the bracket.
4. Tighten the screw.
5. Refit the heat shield.

For Jøtul F 166 and Jøtul F 167:

1. Loosen the screw (Fig. 4 B).
2. Adjust the spring by moving the bracket.
3. Tighten the screw.

4.6 Leveling the fireplace

Fig. 5

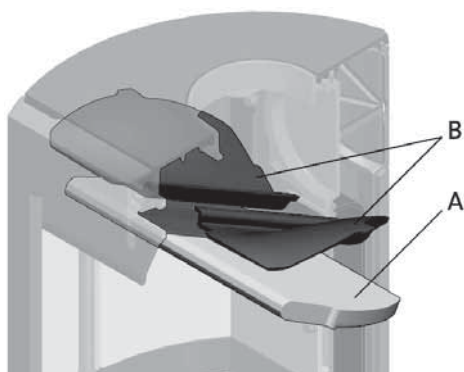


4.7 Fitting the flue pipe with the rear outlet

The product is supplied from the factory with the smoke outlet fitted for the top outlet.

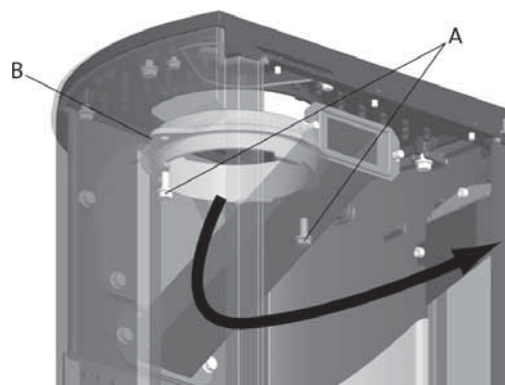
NB! Proceed as follows for installation with a rear outlet:

Fig. 6



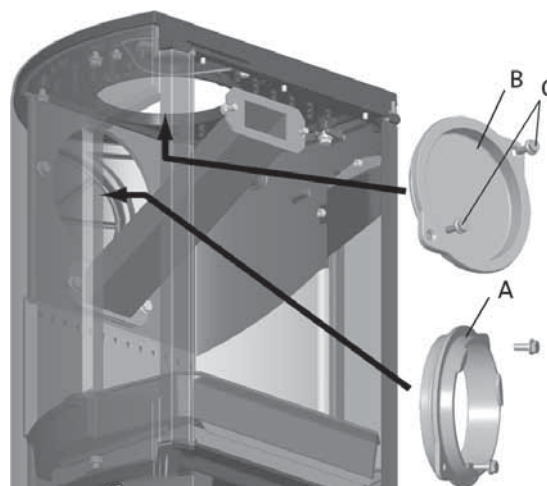
1. Lift the baffle (Fig. 6 A) up carefully.
2. Remove one of the side burn plates by lifting them up a little and then out. (Be aware if using tools, that vermiculite plates may be damaged by rough handling).
3. Remove the baffle.
4. Remove the other side burn plate.
5. Remove the exhaust deflectors (Fig. 6 B).

Fig. 7



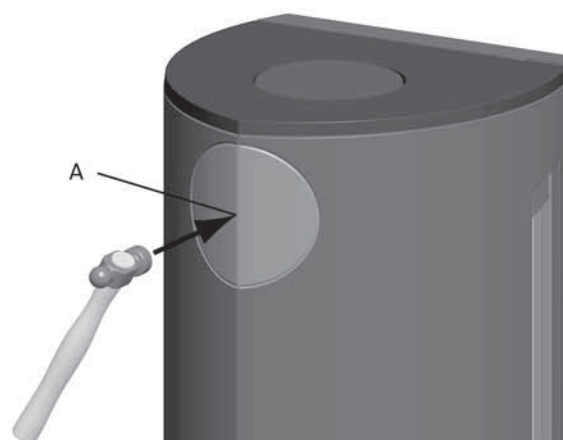
6. Unscrew the screws (Fig. 7 A) and remove the smoke outlet (Fig. 7 B) from the top outlet from the inside of the burn chamber.

Fig. 8



7. Unscrew the screws (Fig. 8 C) and remove the cover (Fig. 8 B) from the rear outlet from the inside of the burn chamber.

Fig. 9



8. Knock out the removable cover plates (Fig. 9 A).
9. Attach the smoke outlet (Fig. 8 A) on the inside of the burn chamber where the cover was.
10. Install the cover (Fig. 8 B) where the smoke outlet was.
11. Refit the exhaust deflectors (Fig. 6 B) and the baffle plate (Fig. 6 A).

ENGLISH

4.8 Control of functions

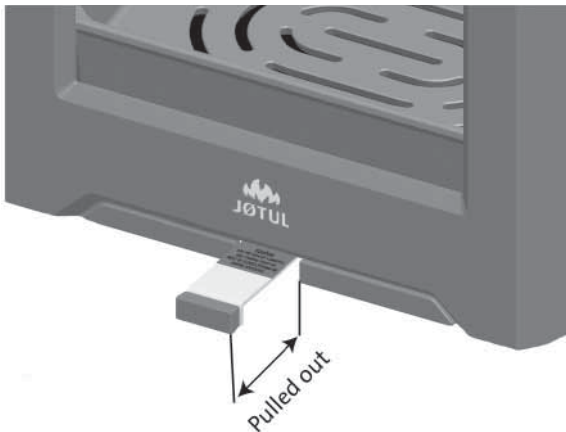
When the product is set up, always check the control functions. These shall move easily and function satisfactorily.

Jøtul F 164, F 165, F 166 and F 167 are equipped with the following control:

Ignition vent/air vent

Ignition

Fig. 10



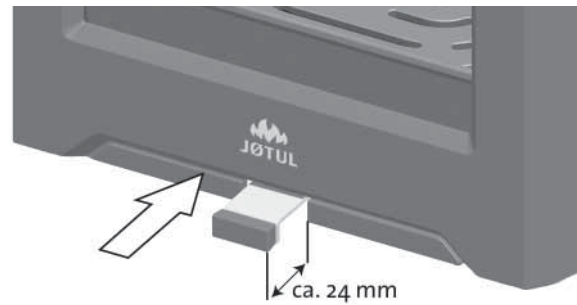
- Open the ignition vent and air vent by pulling the handle all the way out. (Use a glove or something similar to protect your hand in case the handles are hot.)



- Place two logs at the bottom of the burn chamber and pile the kindling in layers.
- Finally, place a medium-sized log on the top of the pile.
- Place 2 or 3 briquettes or kindling sticks under the top layer of kindling and light the fire.

Heating

Fig. 11



- Leave the ignition-/air vent 24 mm open (**fig. 11**) when the wood has caught fire properly and is burning well.
- Close the door.
- You can then regulate the rate of combustion to give the heat you want by adjusting the air vent.
- Check that the afterburning (secondary combustion) starts. This is best indicated by yellow, flickering flames in front of the holes under the baffle.

Adding firewood

Stoke the stove frequently but only add small amounts of fuel at a time. If the stove is filled too full, the heat created may cause extreme stress in the chimney. Add fuel to the fire in moderation. Avoid smouldering fires as this produces the most pollution. The fire is best when it is burning well and the smoke from the chimney is almost invisible.

4.9 Danger of overheating

The fireplace must never be used in a manner that causes overheating

Overheating occurs when there is too much fuel and/or too much air so that too much heat develops. A sure sign of overheating is when parts of the fireplace glow red. If this happens, reduce the air vent opening immediately.

Seek professional advice if you suspect that the chimney is not drawing properly (too much/too little draught). For further information, see «4.0 Installation» (Chimney and flue pipe).

5.0 Daily use

Odours when using the fireplace for the first time

When the fireplace is used for the first time, it may emit an irritating gas which may smell slightly. This happens because the paint dries. The gas is not toxic but the room should be thoroughly ventilated. Let the fire burn with a high draught until all traces of the gas have disappeared and no smoke or odours can be detected.

5.1 Operation

Heating advice

NB: Logs that have been stored outdoors or in a cold room should be brought indoors 24 hours before use to bring them up to room temperature.

There are various ways of heating the stove but it is always important to be careful about what you put in the stove. See the section on “Wood quality”.

Wood quality

By quality wood we mean most well-known types of wood such as birch, spruce and pine.

The logs should be dried so that the moisture content is no more than 20%.

To achieve this, the logs should be cut during the late winter. They should be split and stacked in a way that ensures good ventilation. The wood stacks should be covered to protect the logs from rain. The logs should be brought indoors during early autumn and stacked/stored for use in the coming winter.

Be especially careful never to use the following materials as fuel in your fireplace:

- Household rubbish, plastic bags, etc.
- Painted or impregnated timber (which is extremely toxic).
- Laminated wooden planks.
- Driftwood

These may harm the product and are also pollutants.

NB: Never use petrol, paraffin, methylated spirit or similar liquids to light the fire. You may cause serious injury to yourself and damage to the product.

Wood consumption

Use of wood, with nominal heat emission: Approx. **1,6 kg/h**. Another important factor for proper fuel consumption is that the logs are the correct size. The size of the logs should be:

Kindling:

Length: 23-33 cm

Diameter: 2 - 5 cm

Amount per fire: 6 - 8 pieces

Daily use

Firewood (split logs):

Length: 23 - 33 cm

Diameter: Approx. 8 cm

Intervals for adding wood: Approximately every 45 minutes

Size of the fire: 1,2 kg

Amount per load: 2 pieces

Nominal heat emission is achieved when the air vent is open approximately 57 %.

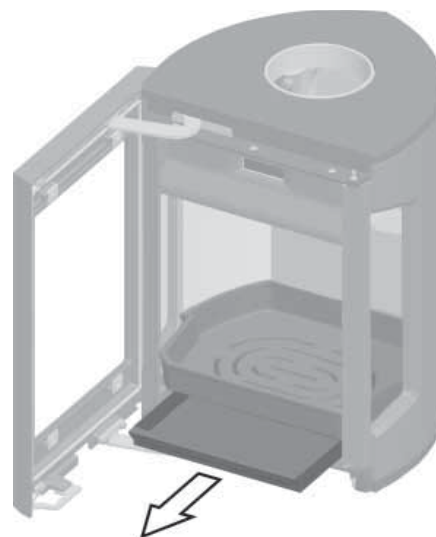
Maximum use

Maximum load: 2,9 kg/h (maximum 3 pieces/2,2 kg per load).

5.2 Ash removal

Jøtul F 164 / F 165 / F 166 / F 167 have an ash pan which makes it easy to remove the ash.

Fig. 12



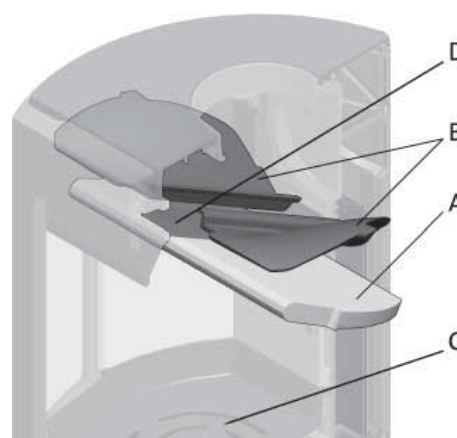
1. Scrape the ash through the grate in the base plate and into the ash pan. Use a glove to grab the handle on the ash pan.
2. Make sure that the ash pan doesn't fill up so high that it keeps ash from coming through the grate into the pan.

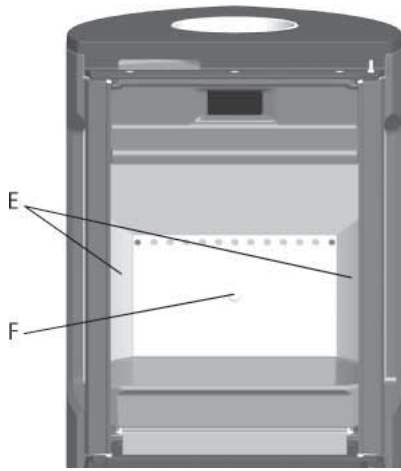
6.0 Service

Warning! Any unauthorised change to the product is not allowed. Only use original spare parts.

6.1 Changing the burn plates/inner bottom plate

Fig. 13





1. Lift the baffle (Fig. 13 A) up carefully.
2. Remove one of the side burn plates (Fig. 12 E) by lifting them up a little and then out. (Be aware if using tools, that vermiculite plates may be damaged by rough handling).
3. Remove the baffle.
4. Remove the other side burn plate.
5. Unscrew the M8x25 mm screw on the rear burn plate (Fig. 13 F) and remove the burn plate.
6. Then lift up and remove the inner bottom plate (Fig. 13 C). Follow the same procedure for installation, but in the opposite sequence.

6.2 Changing the baffle / deflectors

- Follow step 1 -3 under Fig. 13.
 - Access is then easy to the smoke deflectors (Fig. 13 B) if they need to be removed. They are situated on 1 knob on the side and on the air manifold (fig. 13 D).
 - Edge them down and remove them through the door.
- For re-installation follow the same procedure in the opposite sequence.

7.0 Maintenance

7.1 Cleaning and soot removal

Soot deposits may build up on the internal surfaces of the fireplace during use. Soot is a good insulator and will therefore reduce the fireplace's heat output. If soot deposits accumulate when using the product, they can easily be removed by using a soot remover.

In order to prevent a water and tar layer from forming in the fireplace, you should regularly allow the fire to burn hot in order to remove the layer. An annual internal cleaning is necessary to get the best heating effect from your product. It is a good idea to do this when cleaning the chimney and flue pipes.

7.2 Sweeping flue pipes to the chimney

Flue pipes must be swept through the flue pipe sweeping hatch or through the door opening.

One of the baffles will have to be removed first in order to do this.

7.3 Inspection of the fireplace

Jøtul recommends that you carefully inspect your fireplace yourself after it has been swept/cleaned. Check all visible surfaces for cracks. Also check that all joints are sealed and that the gaskets are in the correct position. Any gaskets showing signs of wear or deformation must be replaced.

Thoroughly clean the gasket grooves, apply ceramic glue (available from your local Jøtul dealer) and press the gasket well into place. The joint will dry quickly.

7.4 Exterior maintenance

Painted products may change colour after several years' usage. The surface should be cleaned and brushed free of any loose particles before new paint is applied.

8.0 Optional equipment

8.1 Fireplace set

For Jøtul F 164 and Jøtul F 165 only.
Cat. no. 50036912

8.2 Soapstone set - complete

Important! Not for Jøtul F 166 and Jøtul F 167.
Cat. no. 51044401

8.3 Soapstone top - 50 mm

Cat. no. 51012327

9.0 Warranty

Jøtul AS provides its customers with a ten-year warranty with the right to return external cast-iron items if they show defects as a result of faulty materials and/or manufacturing after the initial purchase/installation of the fireplace. The buyer is entitled to return the goods provided that the fireplace has been installed in compliance with current laws and regulations and in compliance with Jøtul's installation and operating instructions.

The warranty does not cover:

The installation of optional extras, for example, to rectify local draught conditions, air supply or other circumstances beyond Jøtul's control. The warranty does not cover consumables, such as burn plates, smoke baffles, fire grates, bottom grates, brick refractories, dampers and gaskets as they deteriorate over time due to normal wear and tear. The warranty does not cover damage caused as a result of using unsuitable fuel when lighting the fire, such as driftwood, impregnated and painted wood, plank offcuts, chipboard, etc. Overheating may easily occur if unsuitable fuel is used, i.e. the fireplace becomes red hot, which causes the paint to discolour and the cast iron parts to crack.

The warranty is not valid for damage caused while the product is in transit from the distributor to the delivery address. The warranty is not valid either for damage caused by the use of non-original parts.

Table des matières

Manuel d'installation et données techniques

1.0	Relations avec les autorités	15
2.0	Caractéristiques techniques	15
3.0	Sécurité	21
4.0	Installation	21
5.0	Utilisation au quotidien.....	25
6.0	Entretien	26
7.0	Maintenance	26
8.0	Équipements en option	27
9.0	Garantie.....	27



Product: Jøtul Room heater fired by solid fuel				CE
Standard: Minimum distance to adjacent combustible materials: Emission of CO in combustion products: Flue gas temperature: Nominal heat output: Efficiency: Operational range: Fuel type: Operational type: The appliance can be used in a shared flue.				
Country	Classification	Certification/standard	Approved by	
Norway	Måse II			
Sweden	visc	SP	SP-Sveriges Provnings- och forskningsinstitut AB	
EU	Intermittent	EN	EN 13240 National Testing and Research Institute	
Follow user's instructions. Use only recommended fuels. Montage- und Bedienungsanleitung beachten. Verwenden Sie nur empfohlenen Brennstoffen. Respectez les consignes d'utilisation. Utilisez uniquement les combustibles recommandés.				
Serial no: Y-xxxx. Year: 200x				
Manufacturer: Jøtul AS POB 1441 N-1602 Fredrikstad Norway				

Tous nos produits sont fournis avec une étiquette indiquant le numéro de série et l'année. Reportez ce numéro à l'endroit indiqué dans les instructions d'installation.

Mentionnez toujours ce numéro lorsque vous contactez votre revendeur ou Jøtul.

Serial no.

1.0 Relations avec les autorités

Toutes les réglementations locales, y compris celles relatives aux normes nationales et européennes, devront être respectées au moment d'installer l'appareil.

Veillez lire attentivement le manuel d'installation et d'utilisation avant de procéder à l'installation. Avant toute mise en service de l'appareil, l'installation devra avoir été agréée par un professionnel qualifié, suivant les pays..

Une plaque signalétique thermorésistante est fixée sur la base / le piétement. Elle comporte les informations suivantes : fabricant, adresse, nom du produit, référence catalogue, norme de fabrication, référence de production et puissance.

2.0 Données techniques

Matériau :	Fonte
Finition :	Peinture noire
Combustible :	Bois exclusivement
Longueur max. des bûches :	33 cm
Sortie de fumée :	Dessus/ derrière
Conduit de raccordement :	Ø 150 mm / 177 cm ² section transversale
Poids F 164 et F 165 :	145 kg
+ habillage pierre ollaire:	225 kg
Poids F 166 et F 167 :	140 kg
Poids F 166 C et F 167 C:	159 kg
Équipements en option :	Serviteur Habillage pierre ollaire (pas pour F 166 / F 167) Dessus en pierre ollaire

Dimensions, distances : Voir fig. 1a et fig. 1b

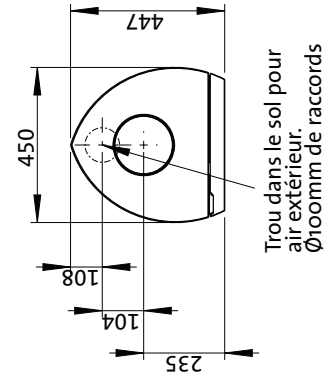
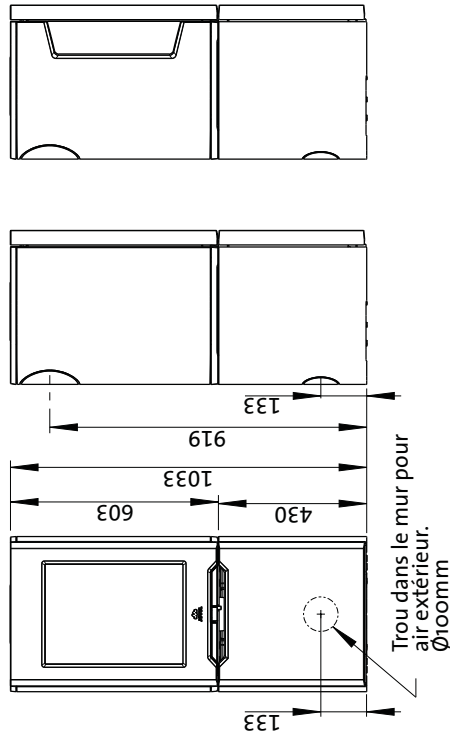
Données techniques conformes à la norme EN 13240 :

	Jøtul F 164	Jøtul F 165
	Jøtul F 166	Jøtul F 167
	Jøtul F 166 C	Jøtul F 167 C
Puissance nominale :	5 kW	5 kW
Débit massique des fumées :	5,0 g/s	5,0 g/s
Tirage de cheminée recommandé :	12 Pa	12 Pa
Rendement :	83% @ 5,9 kW	82% @ 5,9 kW
Émissions CO (13 % O ₂) :	0,06%	0,10%
Émissions CO (13 % O ₂) :	792 mg/Nm ³	1242 mg/Nm ³
Température des gaz de fumées :	260 °C	260 °C
Mode de fonctionnement :	Intermittent	Intermittent

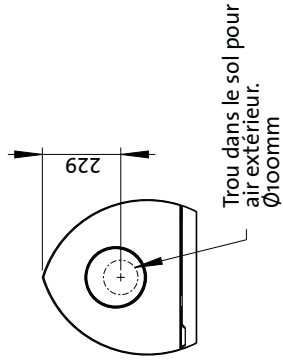
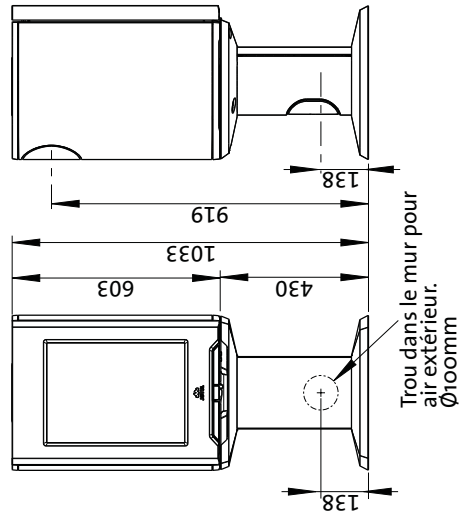
«Combustion intermittente» signifie ici une utilisation normale de la cheminée, c'est-à-dire qu'une nouvelle flambée est initiée dès que le combustible a été réduit à la quantité de braises appropriée.

Fig. 1a Jøtul F 164 / Jøtul F 165 / Jøtul F 166 / Jøtul F 167 / Jøtul F 167 C / Jøtul F 166 C / Jøtul F 167 C

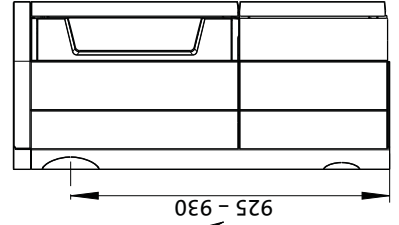
Jøtul F 164 / Jøtul F 165



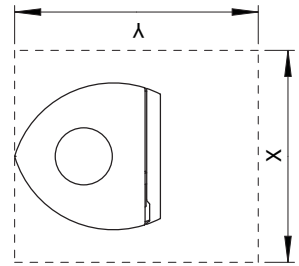
Jøtul F 166 / Jøtul F 167



Jøtul F 164 / Jøtul F 165 avec kit accumulateur en pierre ollaire et plaque de sol



Dimensions minimales de la plaque de sol X/Y = Conformes aux lois et règlements en vigueur.



Jøtul F 166 C / Jøtul F 167 C

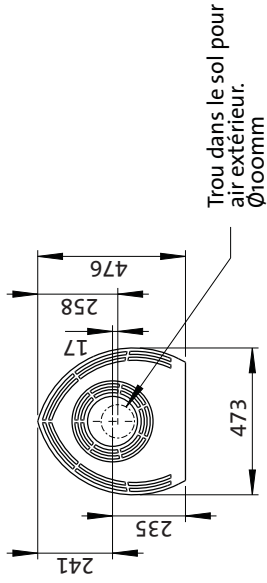
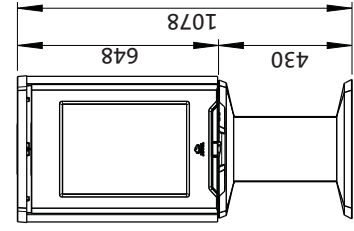
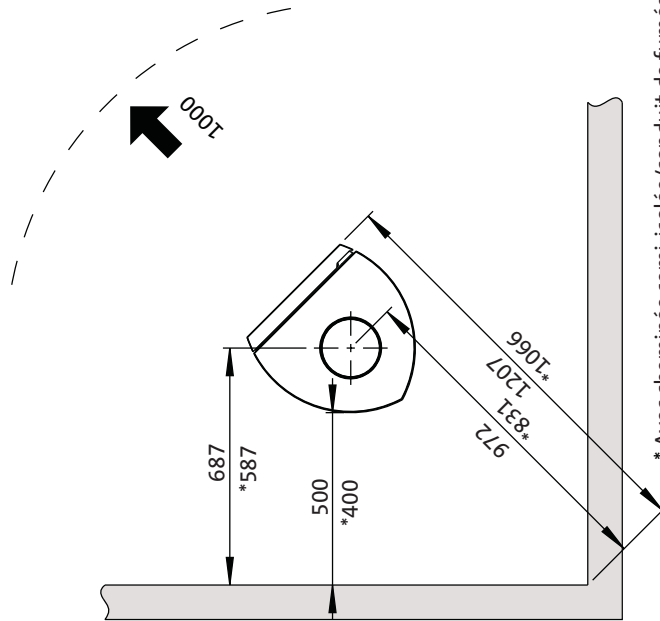
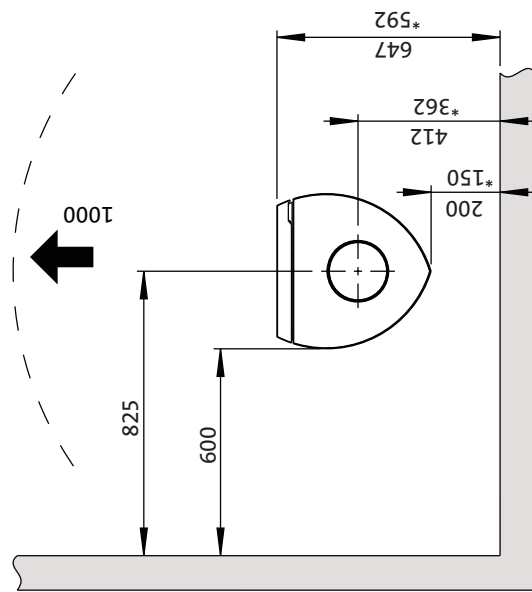


Fig. 1b

Jøtul F 164 / Jøtul F 165 / Jøtul F 166 / Jøtul F 167

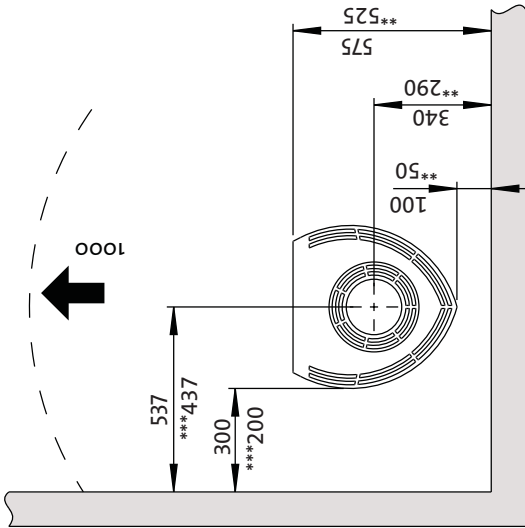
Espace minimum par rapport à un mur combustible, modèle de base :



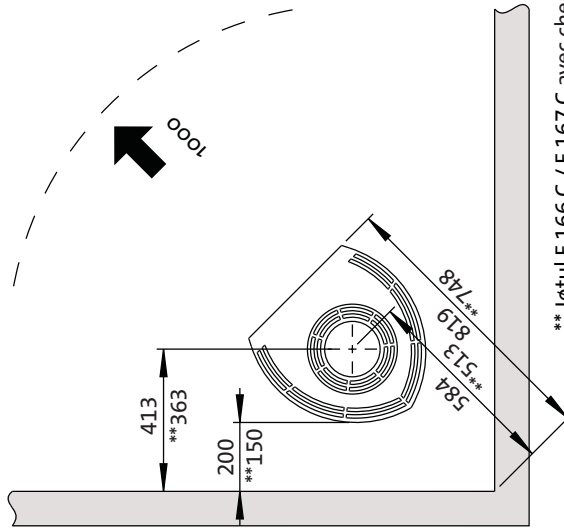
* Avec cheminée semi-isolée/conduit de fumée isolé complètement appuyé contre le produit.

Jøtul F 166 C / Jøtul F 167 C

Espace minimum par rapport à un mur combustible, modèle de convection :



*** Pour F 166 C seulement



** Jøtul F 166 C / F 167 C avec cheminée semi-isolée / conduit de fumée isolé complètement appuyé contre le produit.

Mur en matériau combustible

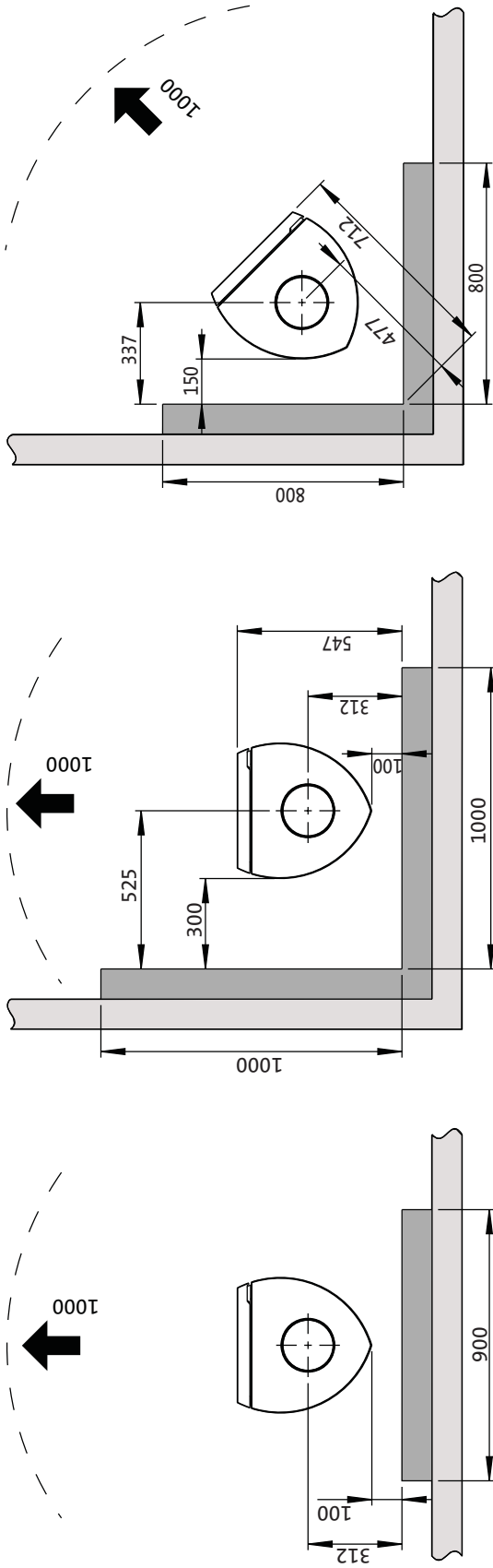
Jøtul F 164 / Jøtul F 165 / Jøtul F 166 / Jøtul F 167

Fig. 1c

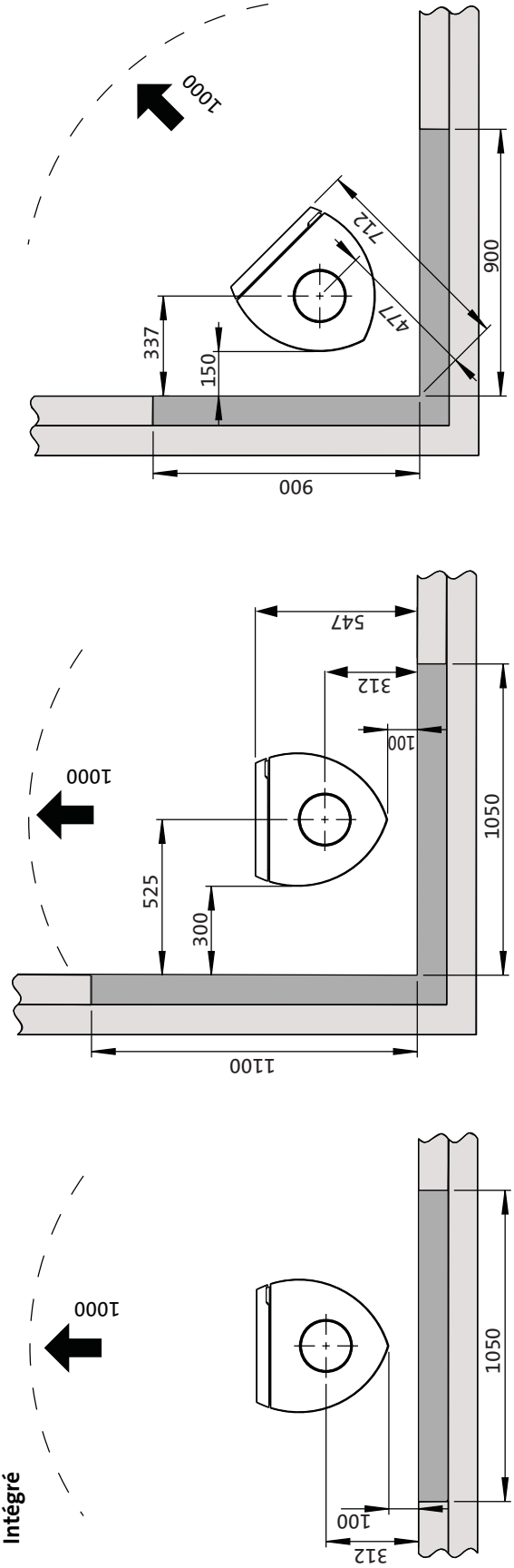
Externe

Distance minimale par rapport au mur en matériau combustible protégé par un pare-feu

Mur en matériau combustible
Mur ininflammable



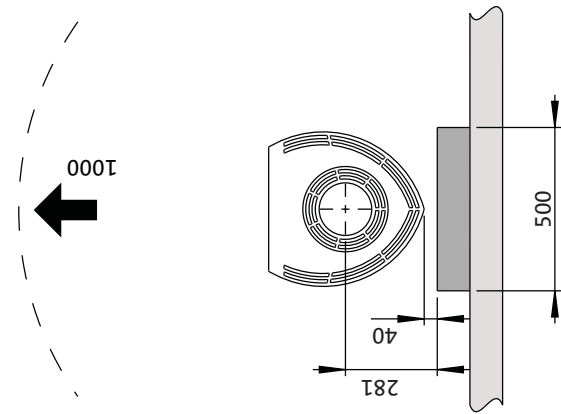
Intégré



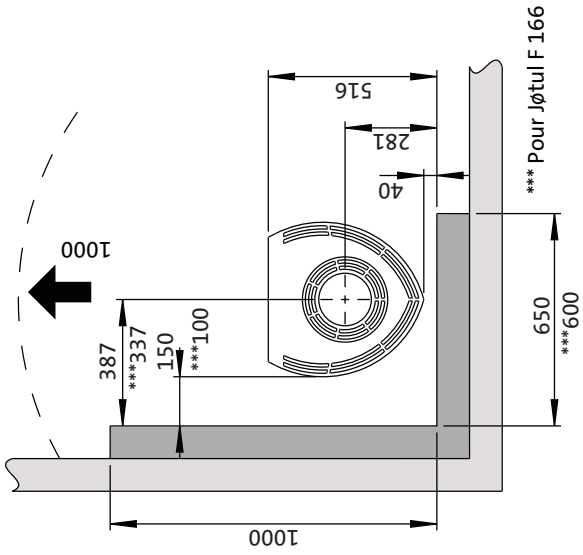
Jøtul F 166 C/ Jøtul F 167 C

Fig. 1d

Externe

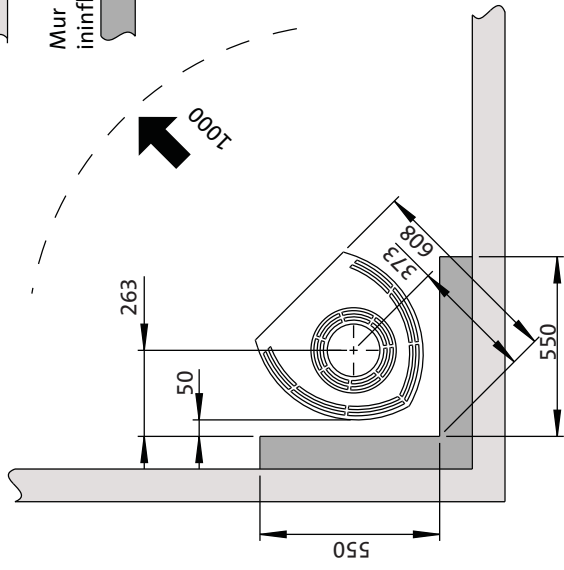


Distance minimale par rapport au mur en matériau combustible protégé par un pare-feu

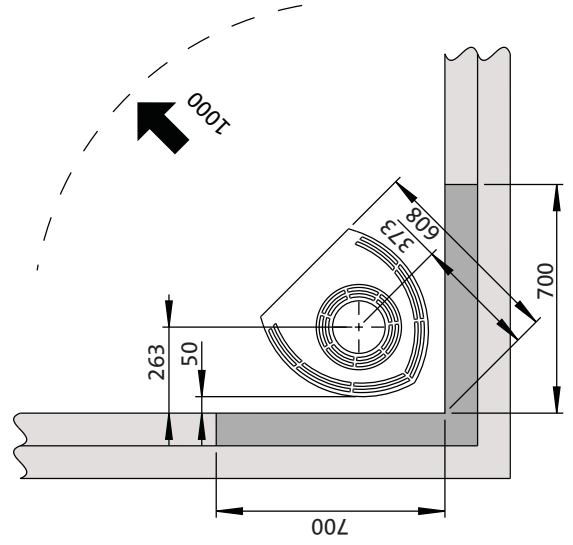
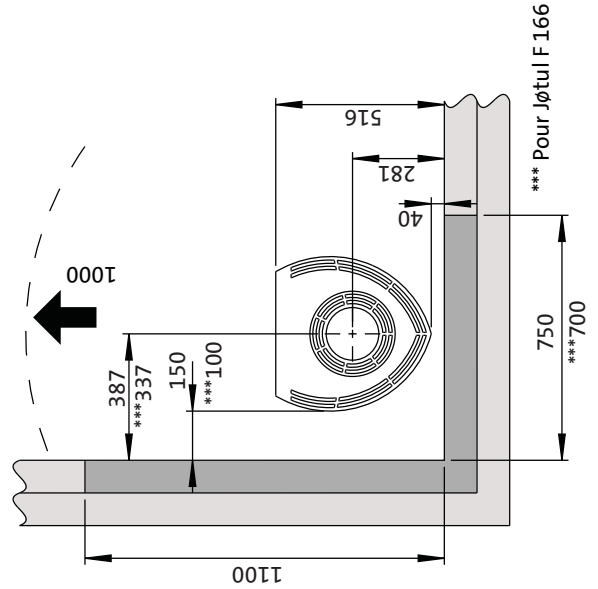
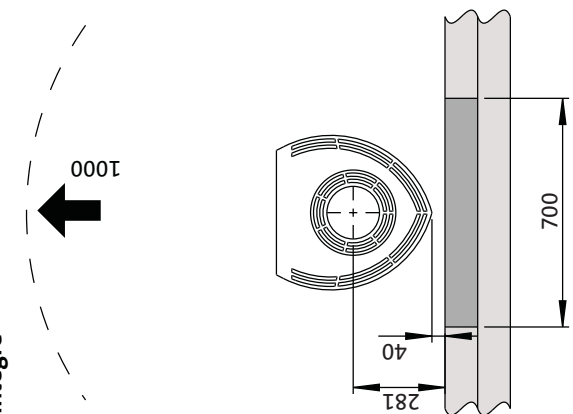


Mur en matériau combustible

Mur ininflammable



Intégré



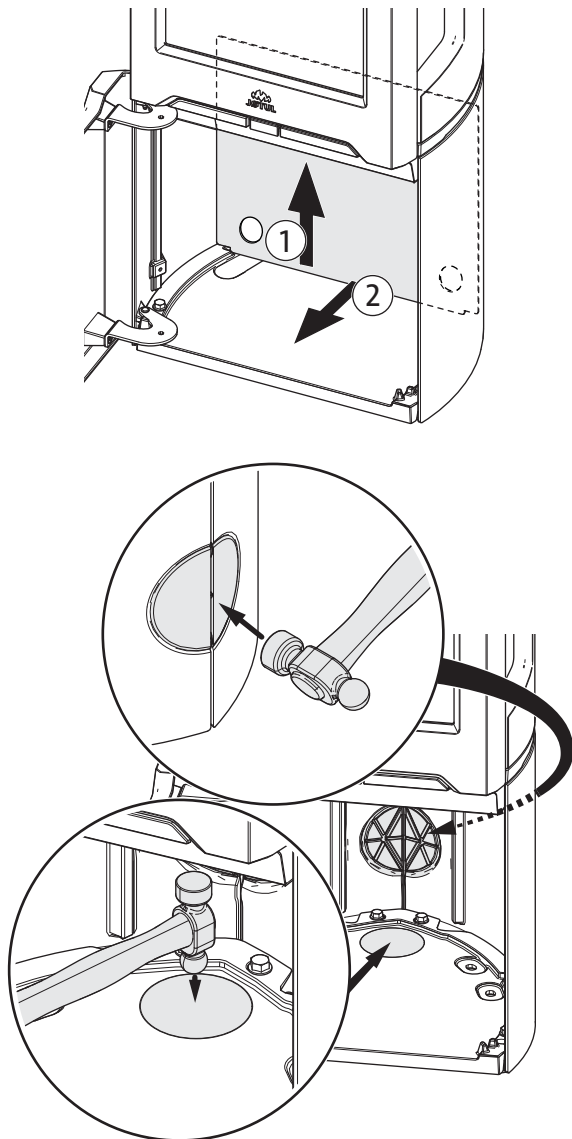
FRANCAIS

Arrivée d'air

L'arrivée d'air frais peut être raccordée directement au poêle Jøtul F 164 / F 165 / F 166 / F 167 par :

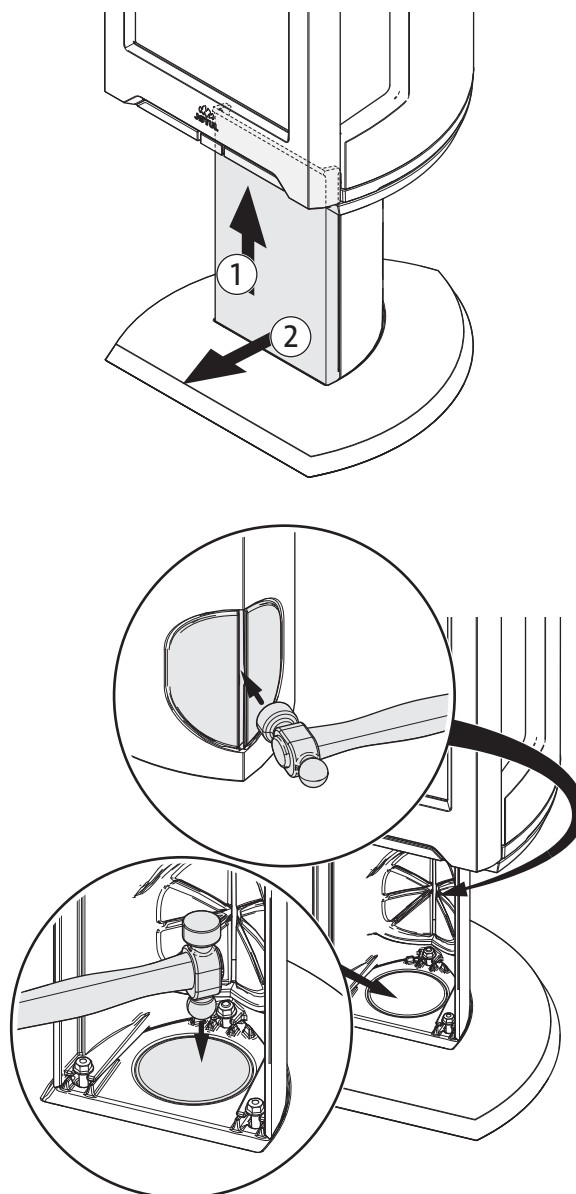
- Un tuyau flexible depuis l'extérieur ou la cheminée (seulement si celle-ci dispose d'une conduite propre pour l'air frais) et vers le raccord d'air frais de l'appareil.

Fig. 2a, Jøtul F 164 et Jøtul F 165:



1. Utiliser un marteau lourd et taper fort au centre de la prédécoupe.

Fig. 2b, Jøtul F 164 et Jøtul F 165:



1. Utiliser un marteau lourd et taper fort au centre de la prédécoupe.

Fig. 2c, par un mur

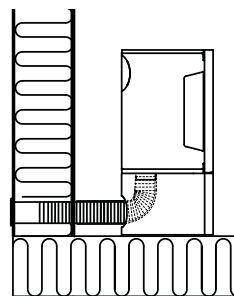


Fig. 2d, par le sol et la plaque de sol

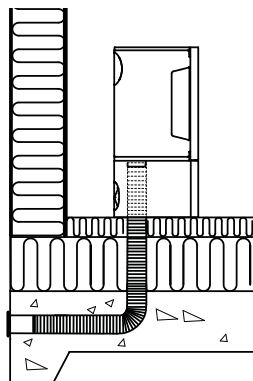


Fig. 2e, par le sol et la cave

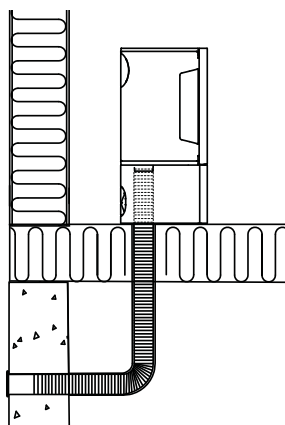
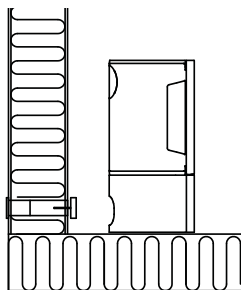


Fig. 2f, indirectement par un mur



3.0 Sécurité

Remarque : Afin d'assurer un niveau de rendement et de sécurité optimal, l'installation d'un poêle Jøtul doit être confiée à un installateur qualifié.

Toute modification de l'appareil par le distributeur, l'installateur ou l'utilisateur final, risque de compromettre le bon fonctionnement de l'appareil et de ses éléments de sécurité. Ceci s'applique également à l'installation d'accessoires ou d'équipements en option qui ne sont pas fournis par Jøtul. Ce risque peut par ailleurs survenir dans le cas où des pièces ou éléments essentiels pour le bon fonctionnement et la sécurité du poêle, ont été désassemblés ou retirés.

Dans tous ces cas, le fabricant ne pourra être tenu responsable pour le produit et le droit de recours à la garantie sera rendu nul et sans effet.

3.1 Mesures de prévention anti-incendie

Toute utilisation du poêle comporte un certain degré de risque. C'est pourquoi, il est indispensable de toujours respecter les consignes de sécurité suivantes :

- Les distances minimales à respecter en utilisant le poêle ressortent de la **figure 1a** et **figure 1b**.
- Assurez-vous que les meubles et autres matériaux ininflammables ne sont pas trop rapprochés du poêle. Pas de matériaux ininflammables dans un rayon de 1 mètre du poêle.
- Laissez le feu s'éteindre de lui-même. Ne tentez jamais d'éteindre le feu avec de l'eau.
- Le poêle devient chaud lorsqu'il est allumé et peut provoquer des brûlures à la personne qui le touche.
- Attendez que le poêle soit froid pour retirer les cendres. Les cendres pouvant encore contenir des braises, il convient de les recueillir dans un réceptacle ininflammable.
- Il convient d'épandre les cendres à l'extérieur ou de les vider dans un endroit ne présentant aucun risque d'incendie.

En cas de feu de cheminée:

- Fermer l'ensemble des trappes et des entrées d'air.
- Maintenir la porte de la chambre de combustion fermée.
- Vérifier toute présence de fumée dans le grenier et dans la cave.
- Contacter le service de sécurité incendie.
- Suite à un feu de cheminée, le foyer et la cheminée doivent être contrôlés par un spécialiste avant toute nouvelle utilisation afin de s'assurer que l'installation est opérationnelle.

4.0 Installation

N.B. Avant de procéder à l'installation, vérifiez que la cheminée est intacte.

Le produit est lourd ! Veillez à obtenir de l'aide avant de le redresser et de l'installer.

4.1 Le sol

Assurez-vous que le sol puisse supporter la l'appareil. Voir la section « **2.0 Données techniques** » consacrée aux poids spécifiques. Il est recommandé d'enlever le revêtement de sol pendant l'installation si celui-ci n'est pas solidaire du sol (parquet flottant).

Protection d'un sol ininflammable

En cas de montage de la l'appareil sur un sol combustible, recouvrez la partie du dessous et du devant de la cheminée d'une plaque de métal ou de tout autre matériau ininflammable. L'épaisseur minimum recommandée est de 0,9 mm.

Les éventuels revêtements de sol ininflammables, tels que linoléum, moquette, etc., devront être retirés de la surface couverte par la plaque de sol.

La plaque de sol doit être conforme aux législations et réglementations nationales.

En raison des différences locales entre les prescriptions en vigueur, nous vous conseillons de prendre contact avec les autorités locales compétentes.

FRANCAIS

4.2 Les murs (fig. 1)

Distance par rapport à un matériau ininflammable

La l'appareil peut être utilisée avec un conduit de fumée non isolé, à condition que les distances entre le poêle et les murs/cloisons ininflammables soient conformes à la fig. 1b.

Distance par rapport à un mur avec conduit de cheminée non isolé : Voir * fig. 1b et fig. ** fig. 1b.

Distance par rapport aux murs protégés par un pare-feu

En raison des différences locales entre les prescriptions en vigueur, nous vous conseillons de prendre contact avec les autorités locales compétentes.

Exigences relatives à la cheminée

La cheminée doit avoir une épaisseur minimale de 100 mm et se composer de briques, de blocs de béton ou de béton léger. Des constructions et des matériaux différents peuvent aussi être utilisés s'ils présentent un dossier d'application satisfaisant.

Distance par rapport aux murs ininflammables

Par mur ininflammable on entend un mur massif non porteur en brique ou en béton.

En raison des différences locales entre les prescriptions en vigueur, nous vous conseillons de prendre contact avec les autorités locales compétentes.

4.3 Cheminées et conduits d'évacuation

- L'appareil peut être raccordé à une cheminée et à un conduit approuvés pour les poêles à combustible solide, avec les températures de fumées spécifiées dans la section « 2.0 Données techniques ».
- La section transversale minimale de la cheminée doit correspondre au moins à celle du conduit. Voir «2.0 Données techniques» lors du calcul de la section de cheminée appropriée.
- Plusieurs appareils à combustible solide peuvent être raccordés au même système de cheminée, dès l'instant où la section est suffisante suivant les réglementations locales.
- Le raccordement à la cheminée doit être effectué conformément aux instructions d'installation du fournisseur de la cheminée.
- Procédez à un montage d'essai avant de percer un trou dans la cheminée, afin d'assurer un montage correct. Voir la fig. 1 pour les dimensions minimales.
- Raccordement à l'arrière : assurez-vous que le conduit d'évacuation est bien incliné légèrement vers le haut à partir du poêle.
- Utilisez un coude de conduit doté d'une trappe afin de permettre les opérations de ramonage, suivant les pays.

Veillez impérativement à ce que les raccordements présentent un certain degré de flexibilité afin de prévenir des mouvements pouvant provoquer des fissures dans l'installation.

N.B. Un raccordement correct et étanche est essentiel pour assurer le bon fonctionnement de l'appareil.

Tirage recommandé; Voir «2.0 Données techniques». En cas de tirage trop important, installer et utiliser un modérateur de tirage.

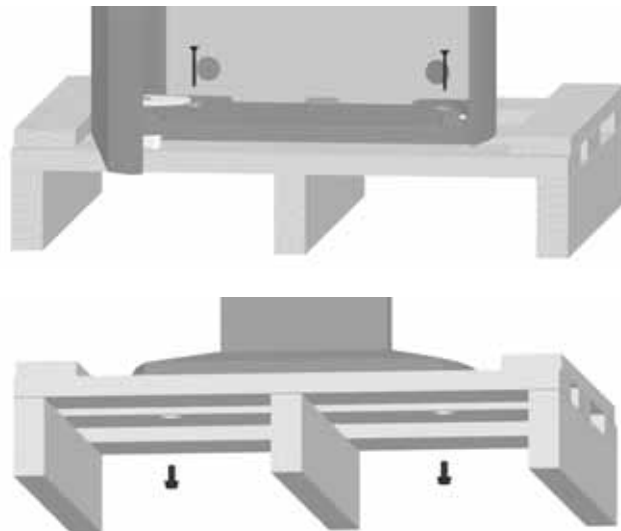
4.4 Montage avant l'installation

Le produit est fourni en un seul colis.

- Une fois le poêle déballé, assurez-vous qu'il ne présente aucun dommage et que les poignées de commande fonctionnent.

Remarque : L'appareil est fixé à la palette par 2 vis.

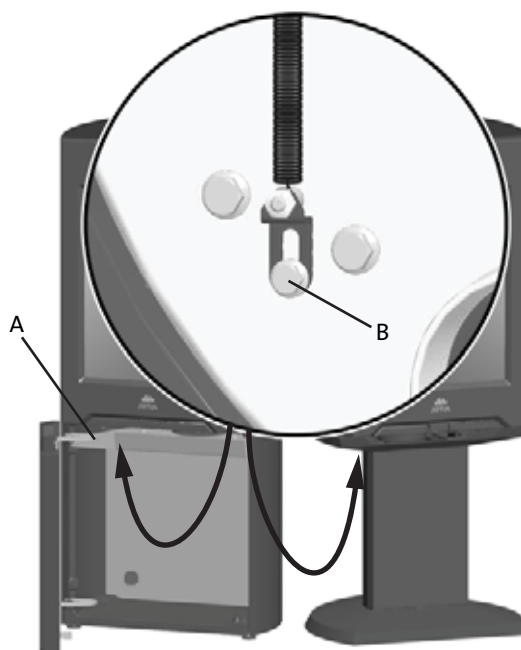
Fig. 3



4.5 Réglage du mécanisme d'ouverture de porte

Le produit est livré avec le mécanisme de fermeture automatique de porte pré-installé. Ce dernier peut être réglé si besoin est.

Fig.4



Pour Jøtul F 164 et Jøtul F 165:

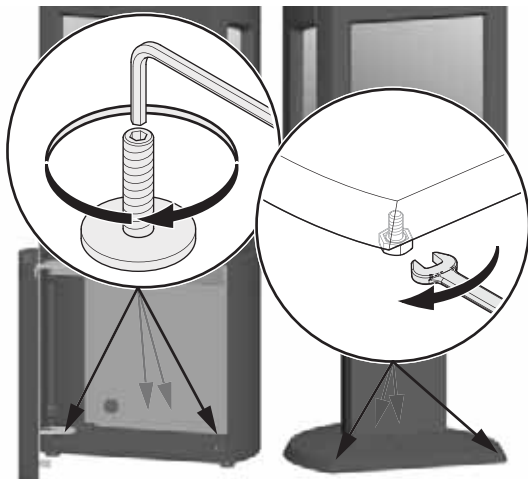
1. Déposez le bouclier thermique (fig. 4 A).
2. Desserrez les vis (fig. 4 B).
3. Réglez le ressort en déplaçant le support.
4. Serrez la vis.
5. Remontez le bouclier thermique.

Pour Jøtul F 166 et Jøtul F 167:

1. Desserrez les vis (fig. 4 B).
2. Réglez le ressort en déplaçant le support.
3. Serrez la vis.

4.6 Mise à niveau de l'appareil

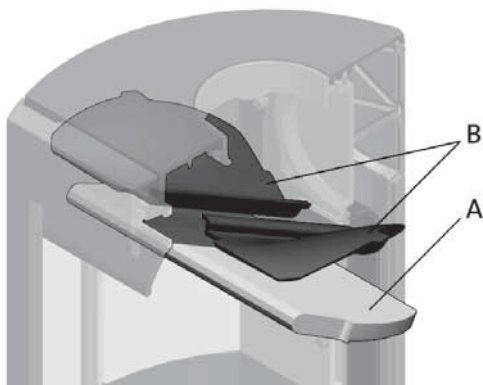
Fig. 5



4.7 Sortie de fumées à l'arrière

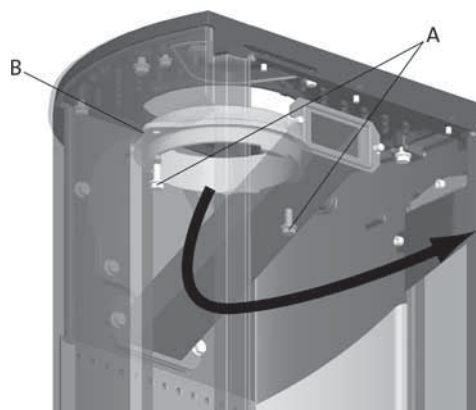
L'appareil est livré avec la buse pour un raccordement dessus.
N.B. Procéder comme suit pour le raccordement arrière :

Fig. 6



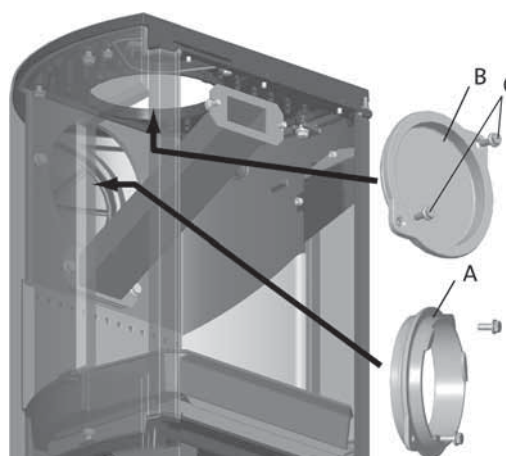
1. Soulevez délicatement le déflecteur inférieur (fig. 6 A).
2. Déposez l'une des plaques de doublage latérales en la soulevant légèrement pour la dégager. (Si vous utilisez des outils, n'oubliez pas qu'une manipulation brutale peut endommager les plaques de vermiculite).
3. Retirez le déflecteur.
4. Retirez l'autre plaque de doublage latérale.
5. Retirez les déflecteurs supérieurs (fig. 6 B).

Fig. 7



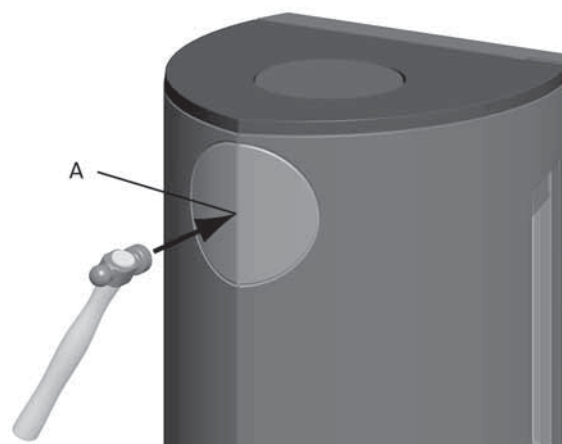
6. Dévisser les vis (fig. 7 A) et retirer la buse (fig. 7 B) par l'intérieur de la chambre de combustion.

Fig. 8



7. Desserrez les vis (fig. 8 C) et retirez la cache sortie de fumées (fig. 8 B) de l'arrière par l'intérieur de la chambre de combustion.

Fig. 9



8. Cassez les cache passage de tuyau (fig 9 A).
9. Fixer la buse par l'intérieur à la place du cache sortie de fumées.
10. Remettre en place les déflecteurs hauts (fig. 6 B) et bas (fig. 6 A).

FRANCAIS

4.8 Contrôle des fonctions

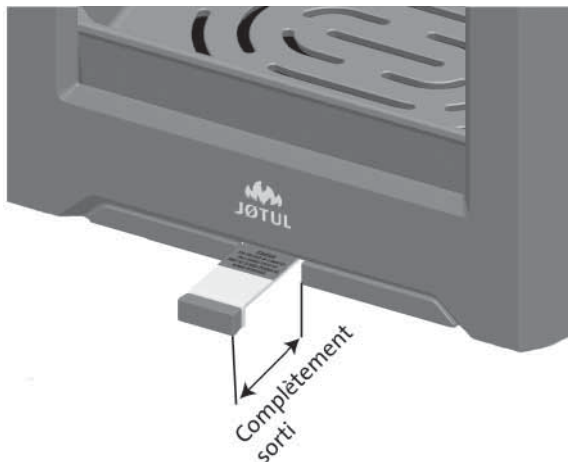
Une fois le poêle installé, vérifiez toujours les commandes. Elles doivent pouvoir être actionnées facilement et fonctionner correctement.

Les modèles Jøtul F 164, F 165, F 166 et F 167 sont équipés des commandes suivantes:

Commande d'entrée d'air inférieure (allumage)/supérieure

Allumage

Fig. 10



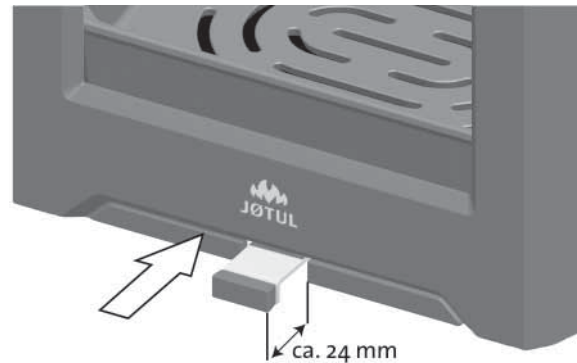
- Ouvrir le registre d'air frais et le registre d'allumage en tirant le poignée à fond. (Portez un gant ou une protection similaire pour vous protéger la main si les poignées sont brûlantes.)



- Disposez deux bûches au fond du poêle et empilez le bois d'allumage en strates successives.
- Pour finir, placez une bûche de taille moyenne au sommet de la pile de bois.
- Placez 2 ou 3 briquettes sous la plus haute strate de bois d'allumage puis allumez le feu.

Chauffage

Fig. 11



- Une fois que le feu a bien pris, fermez le registre d'arrivée d'air (fig. 11) sur environ 24 mm.
- Lors du premier allumage, laissez la porte ouverte jusqu'à ce que la façade soit bien chaude pour éviter que le joint ne colle à la peinture.
- Fermez la porte.
- Vous pouvez régler la vitesse de combustion pour obtenir le degré de chauffage souhaité en ajustant le registre d'air frais. **Attention de ne pas repasser en position «allumage».**
- Vérifiez que la postcombustion (combustion secondaire) démarre. On le voit aux flammes jaunes, dansantes, devant les trous sous le déflecteur.
- Conseil pratique : Pour ne pas risquer d'oublier de fermer l'entrée d'air inférieure (fig. 7 B) ce qui pourrait être dommageable pour l'appareil), privilégiez la porte ouverte pour allumer ou relancer le feu.

Ajouter du bois

Alimentez le poêle régulièrement mais n'ajoutez que de petites quantités de combustible à la fois. Si la combustion est trop vive, la contrainte thermique dans la cheminée risque de devenir excessive. Faites preuve de modération. Évitez les feux couvants car ils sont les plus polluants. Le feu est parfait lorsque le bois brûle bien et que la fumée qui sort de la cheminée est pratiquement invisible.

4.9 Risque de surchauffe

Ne surchauffez jamais le poêle

La surchauffe est provoquée par un excès de combustible et/ou d'air qui donne lieu à un dégagement de chaleur trop important. Lorsque le poêle devient incandescent par endroits, c'est un signe incontestable de surchauffe. Si le cas se produit, réduisez immédiatement l'apport d'air frais. En cas de surchauffe, la garantie ne pourrait pas être assurée.

Si vous pensez que la cheminée tire mal (tirage excessif ou insuffisant), contactez un spécialiste. Pour plus de détails, reportez-vous à «4.0 Installation » (Cheminée et conduit d'évacuation).

5.0 Utilisation au quotidien

Odeurs perceptibles lors de la première utilisation du poêle

Lors de la première utilisation, le poêle peut émettre un gaz irritant et dégager des odeurs désagréables. Ceci se produit lorsque la peinture sèche. Ce gaz n'est pas toxique, mais il est recommandé de bien aérer la pièce. Maintenir une température élevée dans le poêle jusqu'à qu'aucun gaz, fumée ou odeur ne puisse être détecté.

5.1 Utilisation

Conseils de chauffage

Remarque : Il est recommandé d'entrer les bûches qui ont été stockées à l'extérieur ou dans une pièce froide 24 heures avant de les brûler afin de les amener à température ambiante.

Il existe différentes manières de chauffer le poêle, mais soyez toujours attentif à ce que vous y mettez. Voir le chapitre intitulé « La qualité du bois ».

La qualité du bois

Par bois de qualité, nous entendons les essences les plus courantes telles que bouleau, épicéa et pin ou hêtre, chêne, érable. Suivant les pays.

Les bûches doivent sécher afin que leur teneur en eau ne dépasse pas 20 %.

Pour cela, il convient de couper le bois à la fin de l'hiver. Fendez-les et empilez-les pour permettre à l'air de bien circuler. Recouvrez les piles afin de protéger les bûches de la pluie. Entrez les bûches dans la maison au début de l'automne en vue de leur utilisation pendant l'hiver qui suit.

Soyez particulièrement attentif à ne jamais brûler les matériaux suivants dans le poêle :

- Les déchets ménagers, les sacs en plastique, etc.
- Le bois peint ou imprégné (très toxique).
- Le bois contreplaqué
- Le bois qui est resté dans l'eau
- Les chutes de menuiserie dont le bois est trop sec.
- Le bois de récupération de chantier

Ceux-ci risquent d'endommager l'appareil et ce sont aussi des polluants.

Remarque : N'employez jamais de l'essence, de la paraffine, de l'alcool (méthylrique) ou tout liquide similaire pour allumer le feu. Vous risqueriez de vous blesser sérieusement et d'endommager l'appareil.

Consommation de bois

Utilisation de bois avec puissance thermique nominale: Env. 1,6 kg/h. L'efficacité de la combustion du bois dépend par ailleurs d'une longueur correcte des bûches utilisées. **La dimension des bûches devrait être de :**

Pour le bois d'allumage :

Longueur : 23 - 33 cm

Diamètre : 2 - 5 cm

Quantité par flambée : 6 - 8 bûches

Utilisation quotidienne :

Pour le bois de chauffage (fendu) :

Longueur : 23 - 33 cm

Diamètre : Env. 8 cm

Fréquence de remplissage : Environ toutes les 45 minutes

Quantité de bois : 1,2 kg

Quantité par remplissage : 2 bûches

La puissance thermique nominale est atteinte avec une ouverture du clapet de tirage de 57 %.

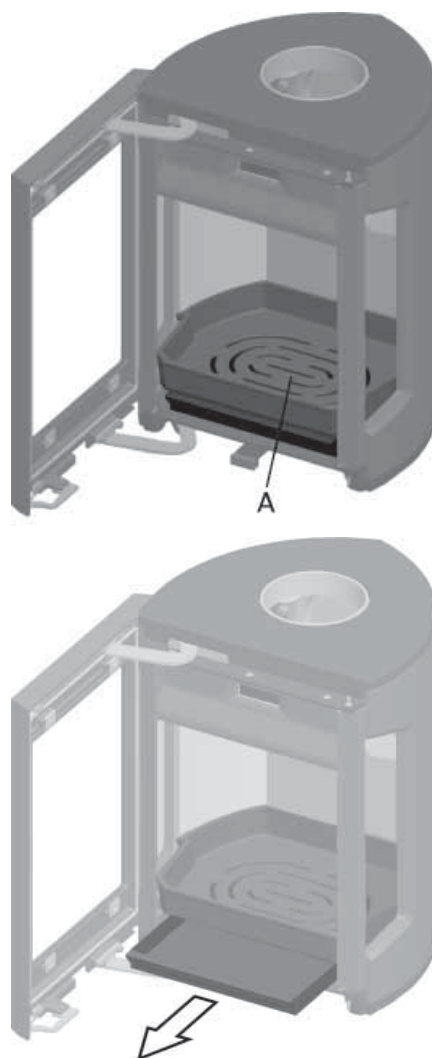
Utilisation maximum :

Chargement maximum : 2,9 kg/h (maximum 3 bûches / 2,2 kg par chargement).

5.2 Décendrage

Les modèles Jøtul F 164 / F 165 / F 166 / F 167 sont équipés d'un cendrier qui facilite l'élimination des cendres.

Fig. 12



1. Raclez les cendres au-dessus de la grille (fig. 12 A) de la sole foyère pour qu'elles tombent dans le cendrier. Utilisez un gant pour saisir la poignée du cendrier.
2. Assurez-vous que le remplissage du cendrier ne va pas jusqu'à empêcher la descente des cendres à travers la grille.

Conseil pratique : Afin de protéger la sole foyère du poêle des braises extrêmement chaudes, laissez quelques centimètres de cendres au fond en permanence et videz les excès de cendres avec une pelle métallique par la porte.

6.0 Entretien

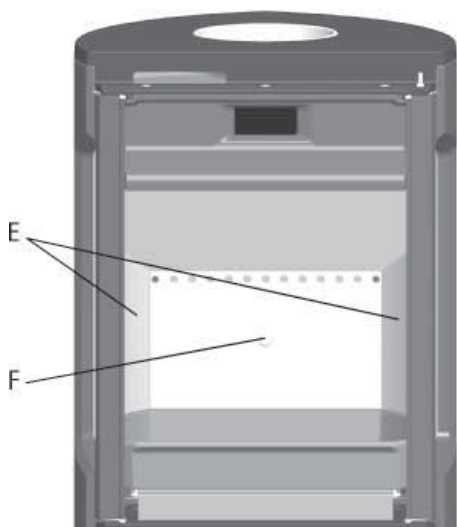
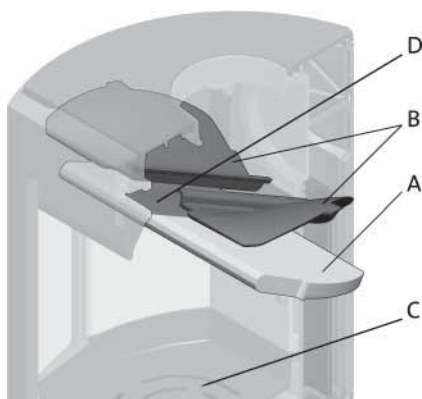
Avertissement : Toute modification du produit sans autorisation est interdite.

N'utilisez que des pièces de rechange d'origine.

6.1 Changement des plaques de doublage / sole foyer

AVERTISSEMENT ! Les plaques de doublage et le déflecteur inférieur sont en vermiculite. C'est un matériau très efficace mais fragile. Ne le choquez pas, ne le rayez pas, introduisez les bûches délicatement lorsqu'il n'y a plus de flammes et de longueur ne dépassant pas 33 cm.

Fig. 13



1. Soulevez délicatement le déflecteur inférieur (fig. 13 A).
2. Retirez l'une des plaques de doublage latérales (fig. 13 E) en les soulevant légèrement pour la dégager. (Si vous utilisez des outils, n'oubliez pas qu'une manipulation brutale peut endommager les plaques de vermiculite).
3. Retirez le déflecteur.
4. Retirez l'autre plaque de doublage latérale.
5. Dévissez les vis M8x25 mm de la plaque de doublage arrière (fig. 13 F) et retirez-la.
6. Puis retirez la sole foyer en la soulevant (fig. 13 C).

Pour le remontage, suivez la même procédure mais dans l'ordre inverse.

6.2 Remplacement du déflecteur inférieur / des déflecteurs

- Suivez les étapes 1 à 3 sous fig. 13.
 - Il est ainsi plus facile d'accéder aux déflecteurs de fumée (fig. 13 B) si ces derniers doivent être déposés. Ils reposent sur un appui sur la plaque de doublage latérale et un sur le distributeur d'air (fig. 13 D).
 - Abaissez les déflecteurs et retirez-les par la porte.
- Pour la réinstallation, suivez la même procédure dans l'ordre inverse.

7.0 Maintenance

7.1 Nettoyage et élimination de la suie

Pendant l'utilisation, de la suie peut se déposer sur les surfaces internes du poêle. La suie est un bon isolant. Elle réduit donc le rendement thermique du poêle. Utiliser une brosse métallique pour retirer tout dépôt de suie dans le produit sauf sur les plaques en vermiculite.

Laisser brûler vivement afin d'éviter tout dépôt de goudron et d'eau dans le poêle. Un nettoyage annuel de l'intérieur du poêle est requis pour optimiser le rendement du produit. Cette opération peut être réalisée lors du ramonage des conduits et de la cheminée.

7.2 Ramonage des conduits d'évacuation vers la cheminée

Le ramonage des conduits doit s'effectuer à partir de la trappe de ramonage ou depuis l'intérieur du produit., suivant les pays, interdit en France.

Pour cela, un des déflecteurs supérieurs doit être retiré.

7.3 Inspection du poêle

Jøtul recommande que l'utilisateur contrôle personnellement et soigneusement le poêle suite à une opération de ramonage/nettoyage. Vérifier l'absence de fissures sur toutes les surfaces visibles. Vérifier également l'état et la bonne installation de tous les joints. Tout joint montrant des signes d'usure, de déformation ou de dureté doit être remplacé. Un appareil ne doit jamais fonctionner avec un composant défaillant.

Nettoyer soigneusement les gorges de joint, appliquer de la colle céramique (disponible auprès des distributeurs Jøtul), puis insérer correctement le joint sans tirer dessus. La colle sèche rapidement.

7.4 Entretien de la surface externe

La couleur des produits peints peut se ternir après plusieurs années d'utilisation. Avant d'appliquer une nouvelle couche de peinture, brosser et laver la surface peinte pour en éliminer toutes les particules.

8.0 Équipements en option

8.1 Serviteur

(Pour Jøtul F 165 et Jøtul F 166)

Réf. 50036912

8.2 Habillage pierre ollaire - complet

(pas pour Jøtul F 166 et Jøtul F 167)

Réf. 51044401

8.3 Dessus en pierre ollaire - 50 mm

Réf. 51012327

9.0 Garantie

La société Jøtul offre une garantie sur les pièces extérieures en fonte en cas de vice de matière et/ou de fabrication à compter de la date de l'achat / de l'installation du poêle. L'acheteur est en droit de retourner la marchandise à condition que le poêle ait été installé en conformité avec les lois et règlements en vigueur ainsi qu'avec les instructions d'installation et d'utilisation de Jøtul.

La garantie ne couvre pas :

L'installation d'options, notamment pour rectifier le tirage, l'arrivée d'air ou d'autres circonstances qui échappent au contrôle de Jøtul. La garantie ne couvre pas les consommables tels que les plaques de doublage, les déflecteurs de fumée, les grilles de poêle, les grilles de fond, les briques réfractaires, les amortisseurs, les vitres et les joints car ces éléments nécessitent d'être remplacés régulièrement en usage normal. La garantie ne couvre pas les dommages causés par l'utilisation d'un combustible inapproprié pour allumer le feu, tel que du bois ayant séjourné dans l'eau, du bois imprégné, du bois peint, des résidus de coupe, de l'aggloméré, des chutes de menuiserie, etc. La surchauffe se produit facilement en cas d'utilisation d'un combustible inapproprié. Le poêle devient alors incandescent, ce qui provoque le ternissement de la peinture et la fissuration des pièces en fonte.

La garantie ne couvre pas les avaries causées lors du transport de l'appareil entre le distributeur et le lieu de livraison. La garantie ne s'applique pas non plus aux dommages causés par l'utilisation de pièces qui ne sont pas d'origine.

Índice

Manual de instalación con información técnica

1.0	Relación con las autoridades	28
2.0	Datos técnicos	28
3.0	Seguridad	34
4.0	Instalación	34
5.0	Uso diario.....	38
6.0	Servicio	39
7.0	Mantenimiento	39
8.0	Equipo opcional	40
9.0	Garantía.....	40

1.0 Relación con las autoridades

La instalación de una estufa debe realizarse de acuerdo con los códigos y normativas locales de cada país.

En la instalación de los productos deben cumplirse todas las disposiciones locales, incluidas aquellas referentes a las normas nacionales y europeas.

Antes de la instalación, lea atentamente el manual de Instrucciones para instalación. Antes de utilizar el producto, la instalación debe ser revisada por un técnico cualificado.

El producto lleva una placa de identificación en la base / pedestal. La placa contiene información de identificación y documentación del producto.

2.0 Datos técnicos

Material:	Hierro fundido
Acabado:	Pintura negra
Combustible:	Madera
Longitud máx. de los troncos:	33 cm
Salida de humos:	Superior/trasera
Tamaño del tubo de tiro:	Ø150 mm, 177 cm ² de sección
Peso F 164 y F 165:	145 kg
+ decoración de esteatita:	225 kg
Peso F 166 y F 167:	140 kg
Peso F 166 C y F 167 C:	159 kg
Equipo opcional:	Juego de accesorios Decoración de esteatita (no para la F 166 y F 167) Cubierta superior de esteatita

Dimensiones, distancias: Consulte la **fig. 1a** y **fig. 1b**

Datos técnicos según EN 13240 :

	Jøtul F 164	Jøtul F 165
	Jøtul F 166	Jøtul F 167
	Jøtul F 166 C	Jøtul F 167 C
Potencia calorífica nominal:	5 kW	5 kW
Flujo másico del gas de tiro:	5,0 g/s	5,0 g/s
Tiro de chimenea recomendado:	12 Pa	12 Pa
Eficiencia:	83 % a 5,9 kW	82 % a 5,9 kW
Emisión de CO (13 % O ₂):	0,06 %	0,10 %
CO emission (13 % O ₂):	792 mg/Nm ³	1242 mg/Nm ³
Temperatura de gases:	260 °C	260 °C
Tipo de funcionamiento:	Intermitente	Intermitente

Aquí, la combustión intermitente supone un uso normal de la estufa. Se prende una nueva cámara de combustión en cuanto el combustible se ha consumido hasta la cantidad de brasas apropiada.



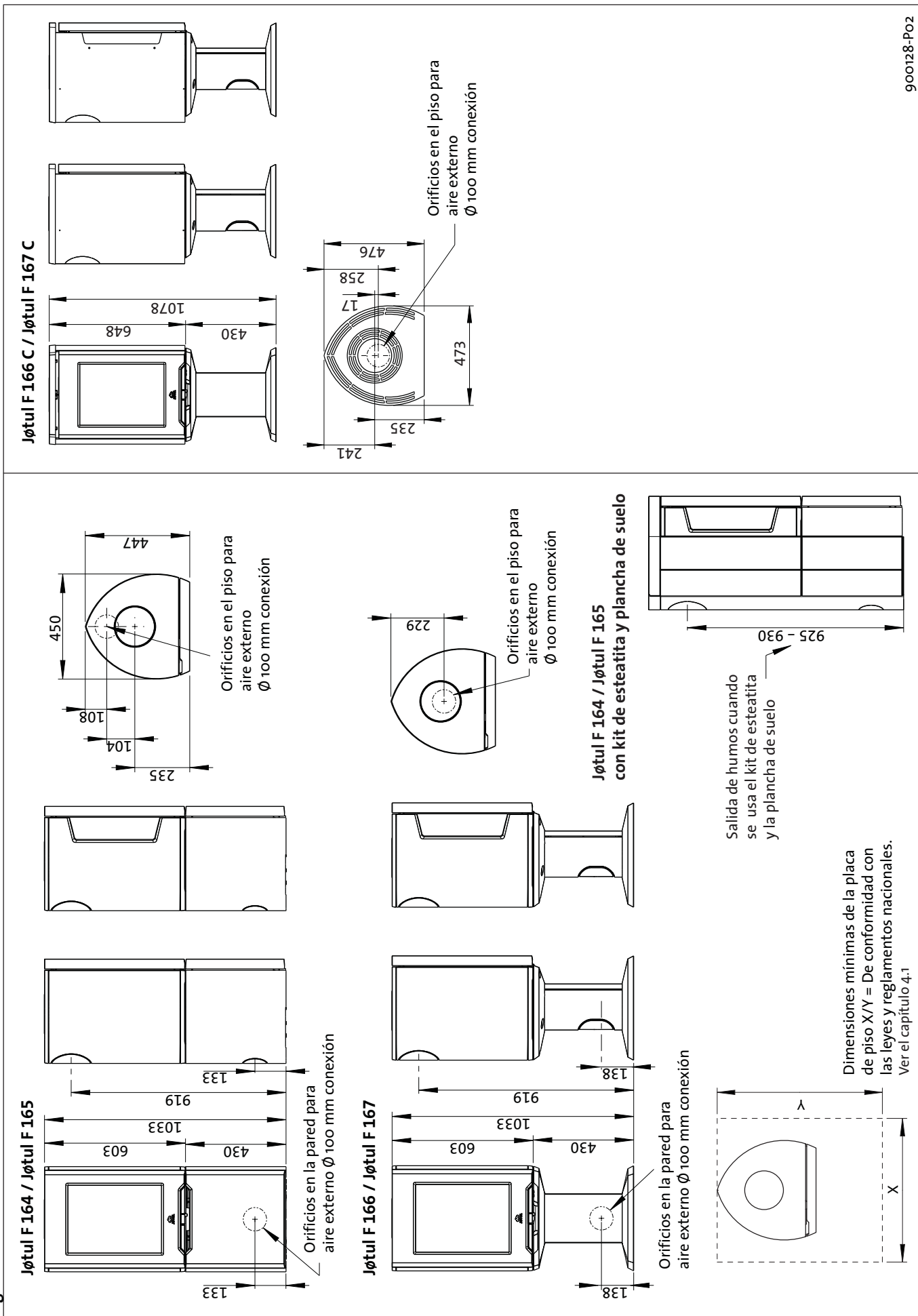
Product: Jøtul Room heater fired by solid fuel			
CE			
Standard: Minimum distance to adjacent combustible materials: Emission of CO in combustion products: Flue gas temperature: Nominal heat output: Efficiency: Operational range: Fuel type: Operational type: The appliance can be used in a shared flue.			
Country	Classification	Certification standard	Approved by
Norway	Misc II		
Sweden	inc.	SP	SP-Sveriges Provnings- och Forskningsinstitut AB
EUR	Intermittent	EN	EN 13240:2001 Swedish National Testing and Research Institute
Follow user's instructions. Use only recommended fuels. Montage- und Bedienungsanleitung beachten. Verwenden Sie nur empfohlenen Brennstoffen. Respecter les consignes d'utilisation. Utilisez uniquement les combustibles recommandés.			
Serial no: Y-xxxx. Year: 200x			
Manufacturer: Jøtul AS POB 1441 N-1602 Fredrikstad Norway			221546

Todos nuestros productos presentan una etiqueta que indica el año y el número de serie. Anote este número en el lugar que se indica en las instrucciones de instalación.

Mencione siempre el número de serie al ponerse en contacto con Jøtul o con su distribuidor.

Serial no.

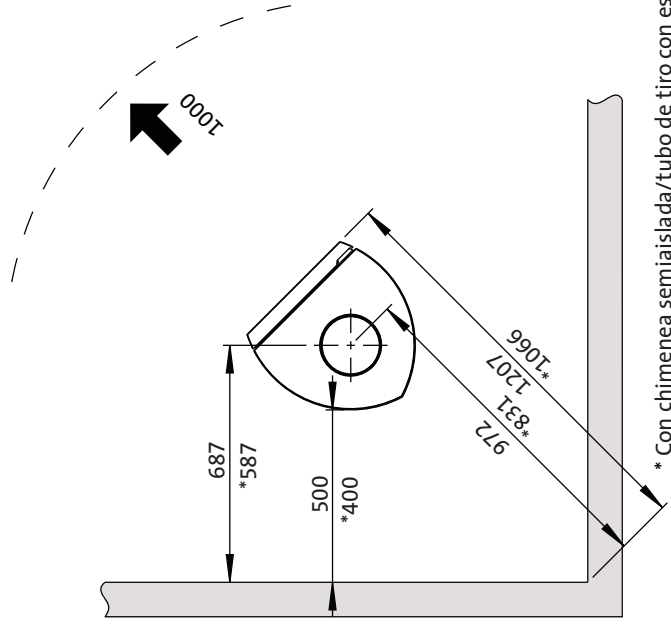
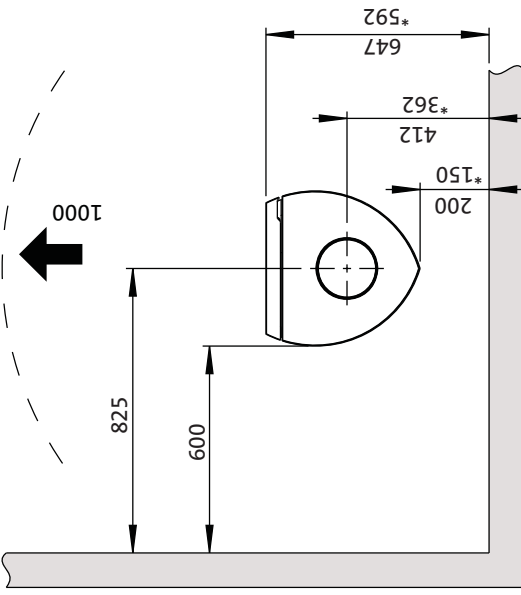
Fig. 1a Jøtul F 164 / Jøtul F 165 / Jøtul F 166 / Jøtul F 167 / Jøtul F 167 C / Jøtul F 166 C / Jøtul F 167 C



900128-P02

Fig. 1b Jøtul F 164 / Jøtul F 165 / Jøtul F 166 / Jøtul F 167

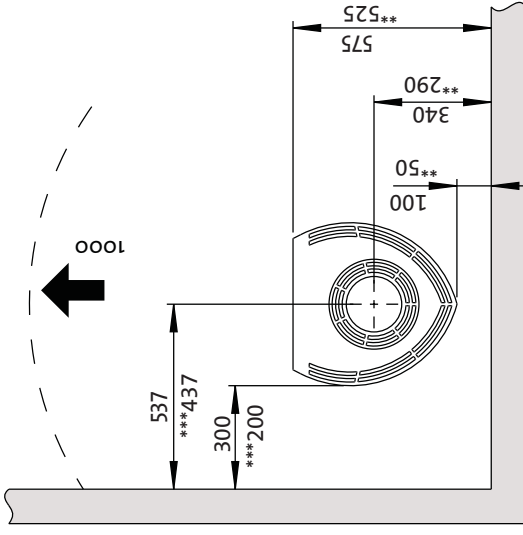
Distancia mínima a una pared inflamable, modelo básico:



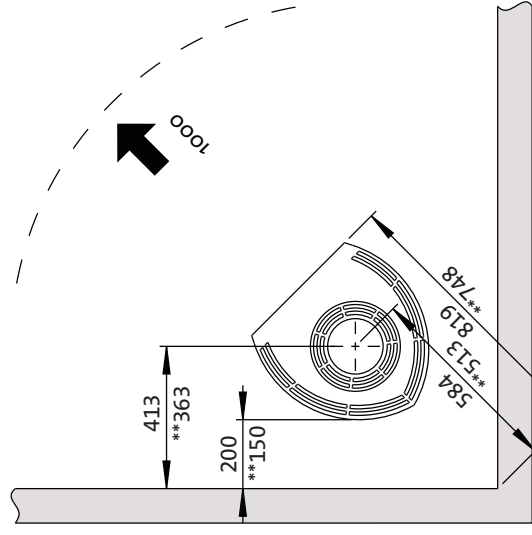
* Con chimenea semiaislada/tubo de tiro con escudo térmico completamente bajado contra el producto.

Jøtul F 166 C / Jøtul F 167 C

Distancia mínima a una pared inflamable, modelo de convección:



*** Solo Jøtul F 166 C



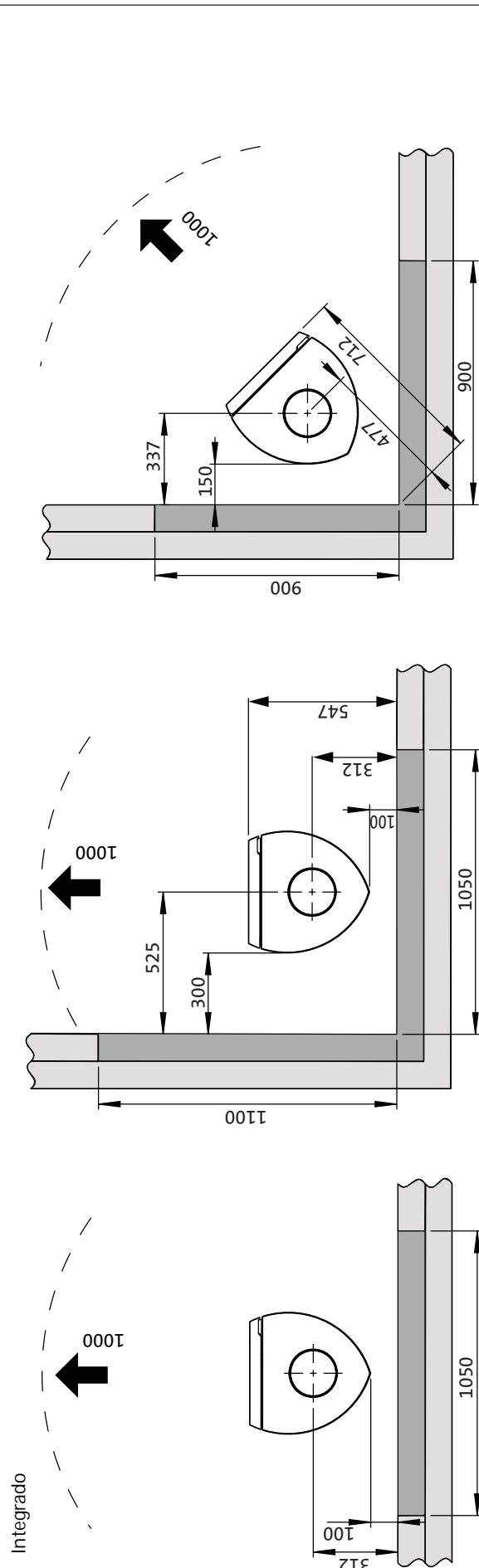
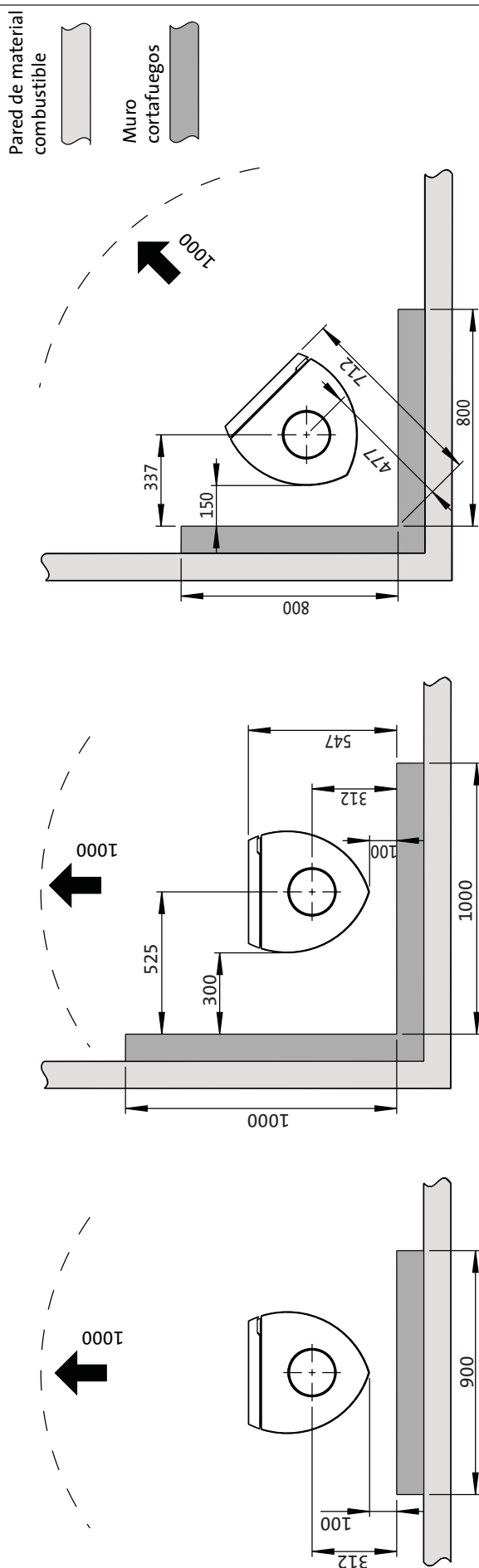
** Jøtul F 166 C / F 166 C con chimenea semiaislada/tubo de tiro con escudo térmico completamente bajado contra el producto.

Pared de material combustible

Jøtul F 164 / Jøtul F 165 / Jøtul F 166 / Jøtul F 167

Fig. 1c

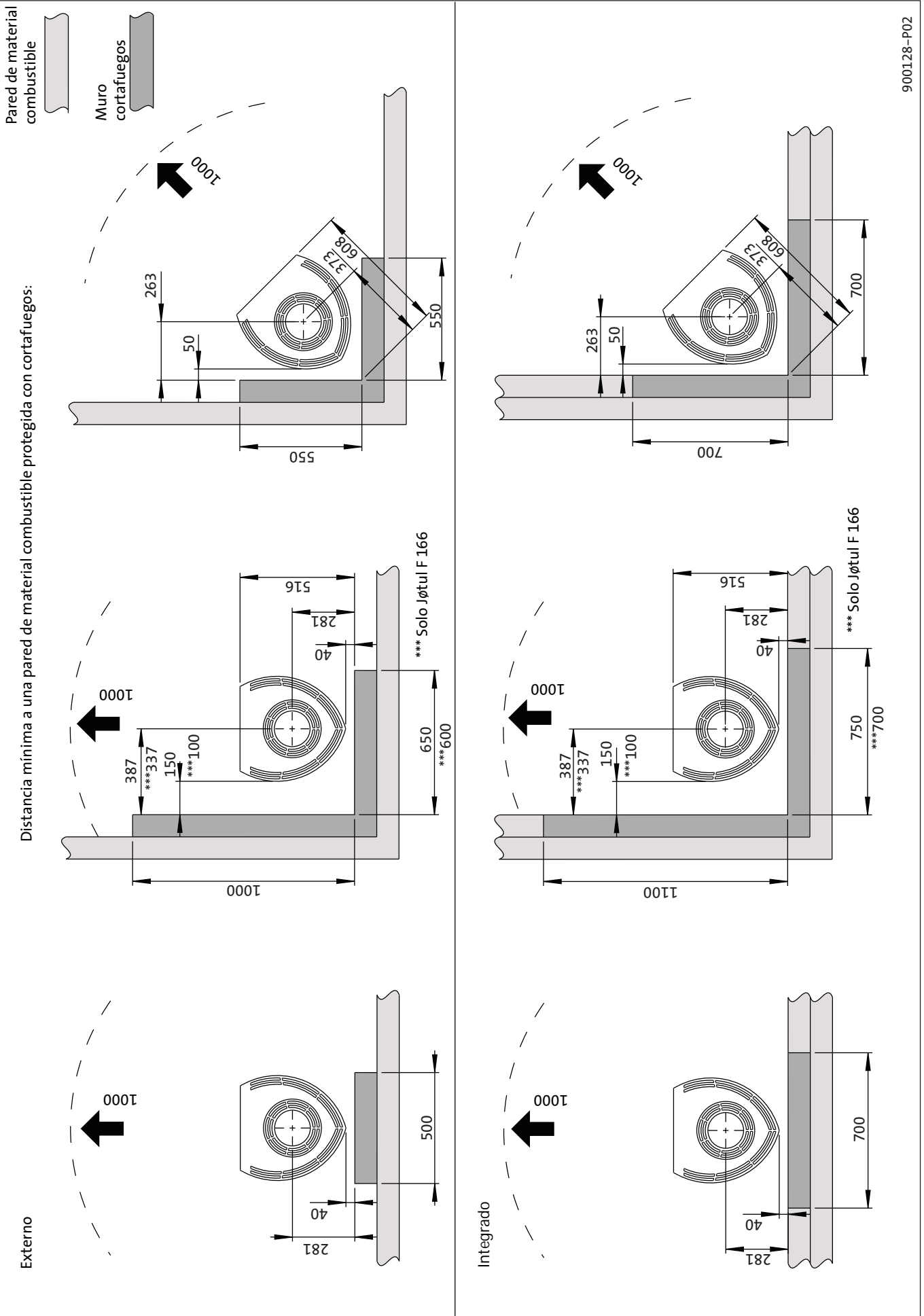
Distancia mínima a una pared de material combustible protegida con cortafuegos



900128-P02

Jøtul F 166 C / Jøtul F 167 C

Fig. 1d

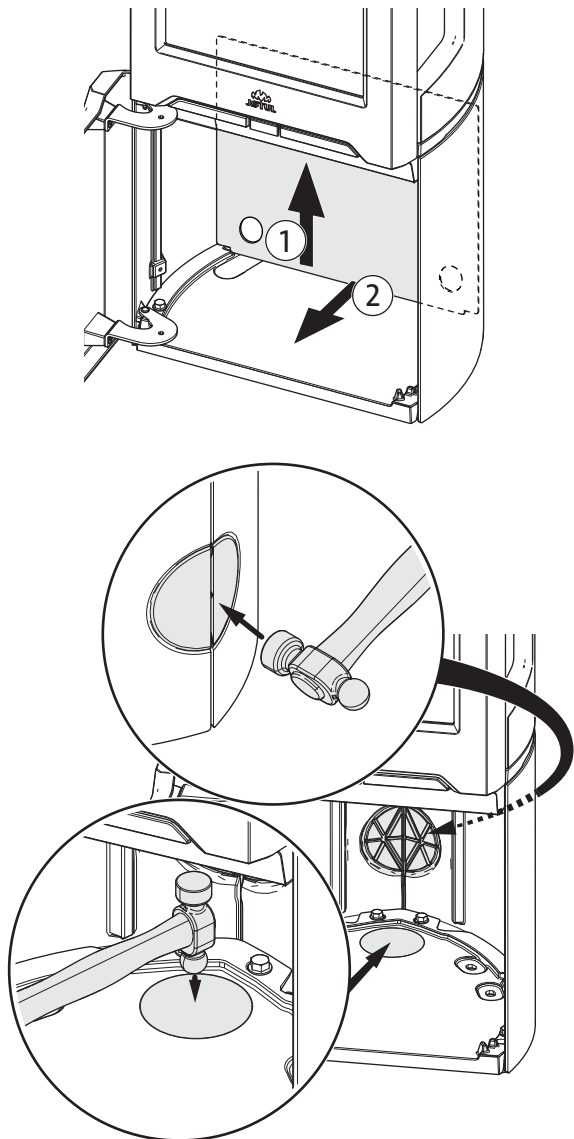


Suministro de aire

La conexión de aire exterior debe conectarse directamente a la Jøtul F 164 / F 165 / F 166 / F 167 a través de:

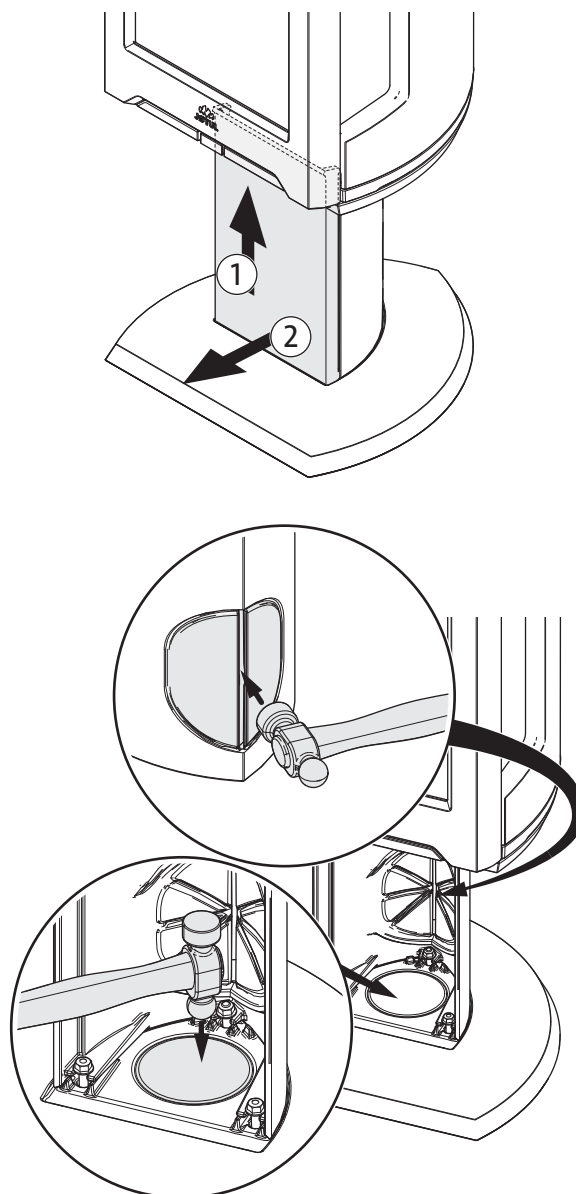
- a través de un tubo flexible desde el exterior/chimenea (solo si la chimenea tiene su propio conducto para aire externo) y al conector de aire externo del producto.

Fig. 2a, para la Jøtul F 164 y Jøtul F 165:



1. Utilice un mazo pesado y golpee con fuerza en medio del troquel para abrir el agujero.

Fig. 2b, para la Jøtul F 166 y Jøtul F 167:



1. Utilice un mazo pesado y golpee con fuerza en medio del troquel para abrir el agujero.

Fig. 2c, a través de una pared exterior

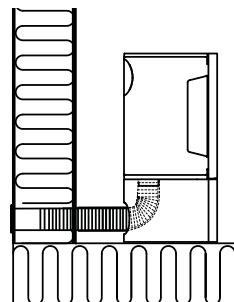


Fig. 2d, a través de la placa de piso y el suelo

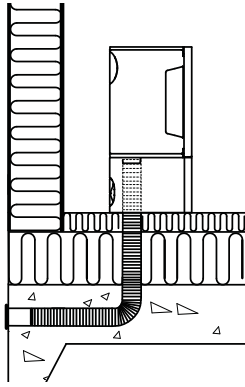


Fig. 2e, a través del suelo y el zócalo

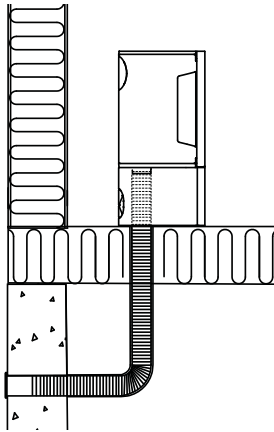
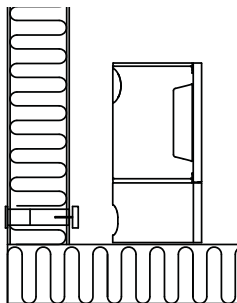


Fig. 2f, indirectamente a través de una pared exterior



3.0 Seguridad

N. B.: para garantizar un rendimiento y seguridad óptimos, las estufas Jøtul deben ser instaladas por un instalador cualificado.

Cualquier modificación del producto por parte del distribuidor, instalador o usuario puede motivar que el producto y sus prestaciones de seguridad no funcionen del modo previsto. Esto también se aplica a la instalación de accesorios o extras opcionales suministrados por terceros. Lo mismo puede suceder si se desmontan o retiran componentes esenciales para el funcionamiento y la seguridad de la estufa.

En cualquier caso, el fabricante no se hará responsable del producto y el derecho a realizar una reclamación quedará anulado y sin validez.

3.1 Medidas de prevención de incendios

Existe un cierto elemento de riesgo cada vez que se usa la estufa. Por lo tanto, deben respetarse las siguientes instrucciones:

- Las distancias mínimas de seguridad al utilizar la estufa se muestran en la **fig. 1a** y **fig. 1b**.
- Asegúrese de que no haya muebles ni otros elementos inflamables demasiado cerca de la estufa. Los elementos inflamables no deberían estar a menos de 1000 mm de la estufa.
- Deje que el fuego se consuma por sí solo. Nunca apague las llamas con agua.
- La estufa se calienta cuando está encendida y puede causar quemaduras si se toca.
- Saque las cenizas solo con la estufa fría. Las cenizas pueden contener rescoldos calientes y, por lo tanto, deberán ponerse en un recipiente no inflamable.
- Las cenizas deberán sacarse al exterior o vaciarse en un lugar donde no supongan un riesgo de incendio.

Si se produce un incendio en la chimenea

- Cierre todas las trampillas y los respiraderos.
- Cierre la puerta de la estufa.
- Compruebe si hay humo en el sótano y en la buhardilla.
- Llame a los bomberos.
- Después de producirse un incendio, un experto deberá comprobar la estufa y la chimenea antes de utilizarse para asegurar que funciona correctamente.

4.0 Instalación

Nota: compruebe que la estufa no presente daños antes de comenzar su instalación.

¡El producto es pesado! Asegúrese de contar con ayuda para montar e instalar la estufa.

4.1 Suelo

Base

Compruebe que el suelo sea lo bastante sólido para la estufa. Compruebe el peso en «**2.0 Información técnica**». Se recomienda retirar durante la instalación el piso que no esté fijado a la base (el llamado piso flotante).

Protección de suelos de material inflamable

Si la estufa va a montarse sobre un suelo de material inflamable, cubra el suelo debajo y delante de la estufa con una placa de metal u otro material no inflamable. El espesor mínimo recomendado es de 0,9 mm.

También hay que quitar cualquier revestimiento de material inflamable, como linóleo, alfombras, etc. de la zona que vaya a cubrir la plancha de suelo.

La plancha deberá cumplir las leyes y normativas nacionales.

Consulte a la autoridad local competente en materia de construcción sobre posibles restricciones y requisitos de instalación.

4.2 Paredes (fig. 1)

Distancia hasta una pared de material inflamable

La estufa puede usarse con un tubo de tiro sin aislar siempre que las distancias hasta las paredes hechas de materiales inflamables sean como las mostradas en la **fig. 1b**.

Distancia hasta la pared con tubo de tiro sin aislar: Ver * **fig. 1a** y ** **fig. 1b**.

Distancia hasta paredes cubiertas por un cortafuegos

Consulte a la autoridad local competente en materia de construcción sobre posibles restricciones y requisitos de instalación.

Requisitos del cortafuegos

El cortafuegos debe tener un grosor de al menos **100 mm** y estar hecho de ladrillo, bloques de hormigón u hormigón ligero. También podrán emplearse otros materiales y construcciones con documentación satisfactoria.

Distancia hasta paredes de material no inflamable

Por pared de material no inflamable nos referimos a un muro de hormigón/ladrillos que no sea muro de carga.

Consulte a la autoridad local competente en materia de construcción sobre posibles restricciones y requisitos de instalación.

4.3 Chimeneas y tubos de tiro

- La estufa puede conectarse a una chimenea y tubo de tiro homologados para estufas de combustible sólido con temperaturas de tiro conforme a lo especificado en «**2.0 Información técnica**».
- La sección de la chimenea debe ser al menos igual de grande que la sección del tubo de tiro. Consulte «**2.0 Información técnica**» para calcular la sección correcta de chimenea.
- Si la sección de la chimenea es suficiente, se pueden conectar varios dispositivos de combustible sólido a la misma chimenea.
- La conexión a la chimenea debe realizarse de acuerdo con las instrucciones de instalación del proveedor de la chimenea.
- Antes de practicar un orificio en la chimenea, debe instalarse provisionalmente la estufa para marcar correctamente la posición de la estufa y del orificio de la chimenea. Véase la **fig. 1** para determinar las dimensiones mínimas.
- Compruebe que el tubo de tiro esté inclinado a lo largo de la chimenea.
- Use un codo del tubo de tiro con una trampilla que permita su deshollinado.

Tenga en cuenta el hecho de que es especialmente importante que las conexiones tengan una cierta flexibilidad para evitar que el movimiento en la instalación produzca grietas.

Nota: es muy importante para el funcionamiento del producto disponer de una conexión correcta y sellada.

Corriente de chimenea: consulte «**2.0 Información técnica**». Si la corriente es demasiado fuerte, instale y opere un regulador del tiro al objeto de controlar la corriente.

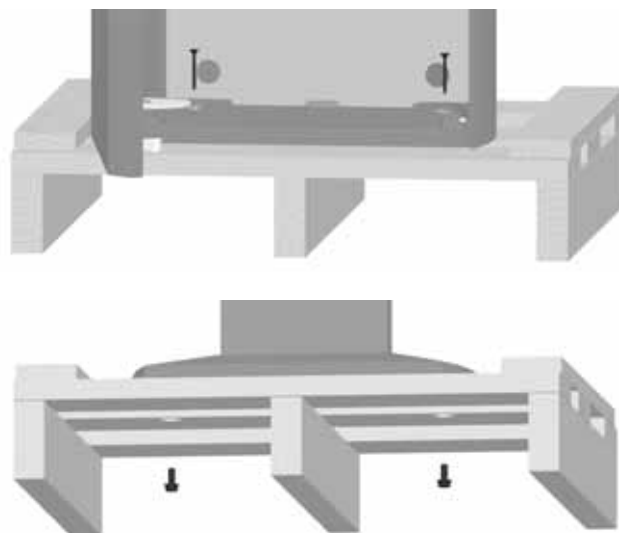
4.4 Montaje antes de la instalación

El producto se entrega en un solo bulto.

Después de desembalar la estufa, compruebe que no presente ningún daño y que funcionen los mandos reguladores.

Nota: El producto se fija al pallet con 2 tornillos.

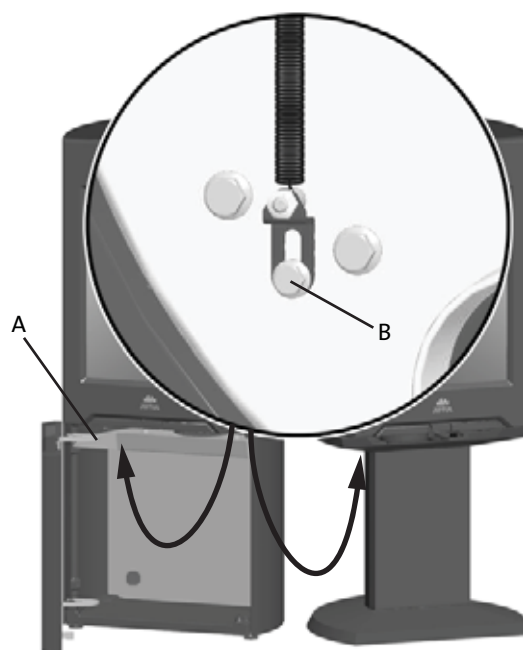
Fig. 3



4.5 Ajuste del mecanismo de puerta

El producto incluye un mecanismo de cierre automático de la puerta preinstalado. Si es necesario, se puede ajustar.

Fig. 4



Jøtul F 164 y Jøtul F 165:

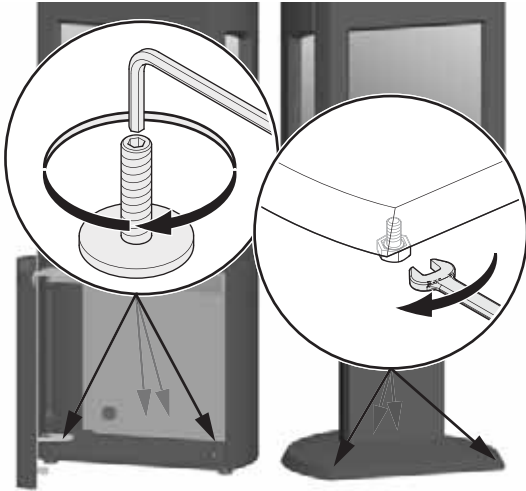
1. Quite el escudo térmico (**fig. 4 A**).
2. Afloje el tornillo (**fig. 4 B**).
3. Ajuste el muelle moviendo el soporte.
4. Apriete el tornillo.
5. Vuelva a colocar el escudo térmico.

Jøtul F 166 y Jøtul F 167:

1. Afloje el tornillo (fig. 4 B).
2. Ajuste el muelle moviendo el soporte.
3. Apriete el tornillo.

4.6 Nivelado de la estufa

Fig. 5

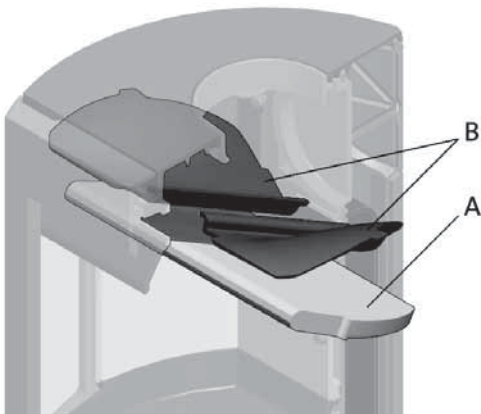


4.7 Ajuste de la tubería de humos para salida posterior

El producto se suministra de fábrica con la salida de humos en configuración de salida superior.

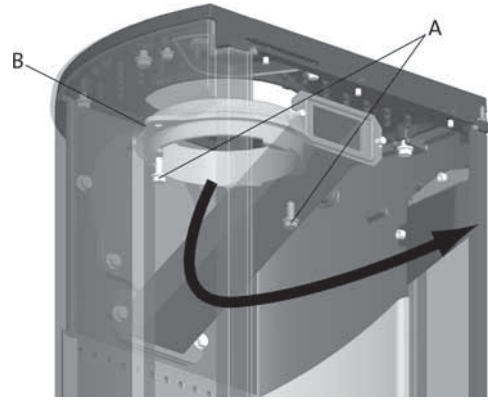
Nota: Siga las instrucciones siguientes para instalaciones con salida posterior.

Fig. 6



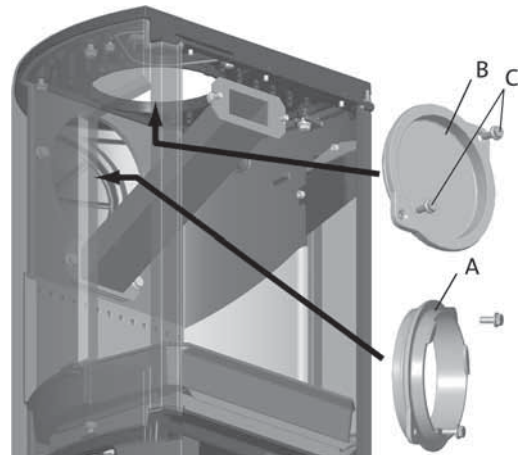
1. Levante con cuidado la placa deflectora (fig. 6 A).
2. Quite una de las placas de combustión laterales levantándola un poco y sacándola. (Tenga en cuenta que si utiliza herramientas, las placas de vermiculita pueden sufrir daños por una manipulación descuidada).
3. Retire la placa deflectora.
4. Quite la otra placa de combustión lateral.
5. Retire los deflectores de escape (fig. 6 B).

Fig. 7



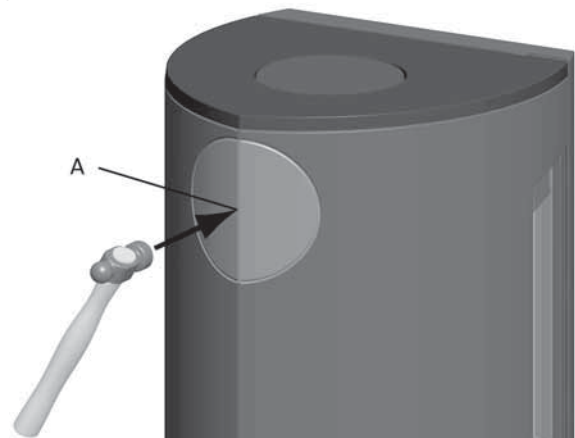
6. Desatornille los tornillos (fig. 7 A) y retire la salida de humos (fig. 7 B) de su posición superior en la cámara de combustión.

Fig. 8



7. Desatornille los tornillos (fig. 8 C) y retire la tapa (fig. 8 B) de la salida posterior en la cámara de combustión.

Fig. 9



8. Rompa las tapas marcadas (fig. 9 A).
9. Coloque la salida de humos (fig. 8 A) desde el interior de la cámara de combustión en el lugar donde estaba la tapa.
10. Instale la tapa (fig. 8 B) en el lugar donde estaba la salida de humos.
11. Y por último vuelva a colocar los deflectores de humos (fig. 6 B) y la placa deflectora (fig. 6 A).

4.8 Control de las funciones

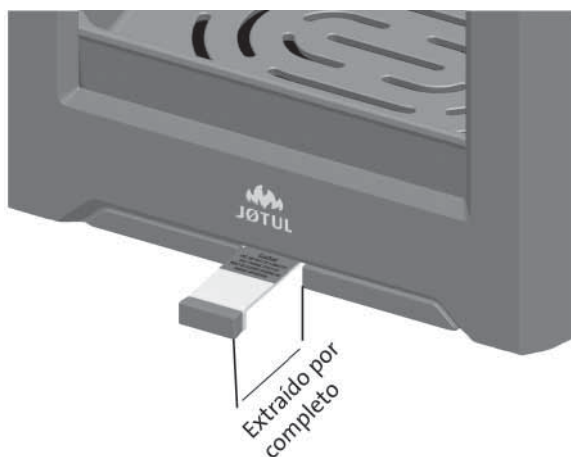
Una vez instalado el producto, compruebe siempre las funciones de control. Deberán moverse fácilmente y funcionar correctamente.

Jøtul F 164, F 165, F 166 y F 167 están equipadas con los siguientes controles:

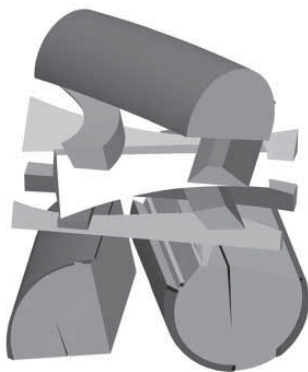
Respiradero de aire/encendido

Encendido

Fig. 10



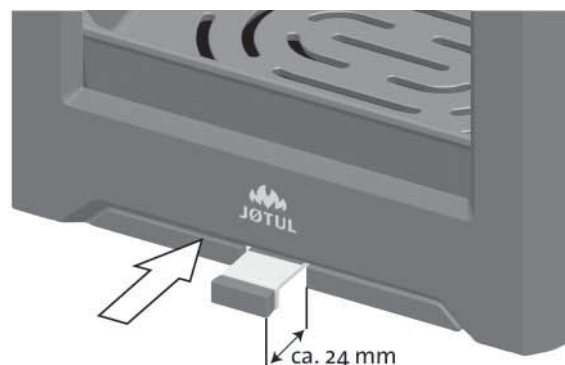
- Abra el respiradero de aire y el respiradero de encendido tirando de los manillares hasta el tope. (Use un guante o algo similar para protegerse la mano en caso de que los manillares estén calientes).



- Coloque dos troncos en la parte inferior de la cámara de combustión y apile las astillas para encender en capas.
- Por último, ponga un tronco de tamaño medio en la parte superior de la pila.
- Ponga 2 ó 3 briquetas o astillas para encender debajo de la capa superior de astillas y encienda el fuego.

Calefacción

Fig. 11



- Deslice el respiradero de aire/encendido (fig. 11) hasta extenderlo unos 24 mm cuando la leña haya encendido correctamente y arda bien.
- Cierre la puerta.
- Entonces podrá regular el régimen de combustión para obtener el calor que desee ajustando el respiradero.
- Compruebe que se inicia la postcombustión (combustión secundaria). Se indica mediante llamas amarillas que bailan delante de los agujeros debajo de la placa deflectora.
- Si el caudal de aire es normal, podrá cerrar la puerta y el fuego se mantendrá por sí mismo.

Añadir madera

Avive la estufa con frecuencia pero añada solo una pequeña cantidad de leña en cada ocasión. Si la estufa está demasiado llena, el calor generado podría causar una elevada tensión en la chimenea. Añada combustible al fuego con moderación. Evite el fuego sin llama, pues es el que produce más contaminación. El fuego irá mejor cuando arda bien y el humo que salga por la chimenea sea casi invisible.

4.9 Peligro de sobrecalentamiento

La estufa no debe usarse nunca de manera que se sobrecaliente

Se produce sobrecalentamiento cuando hay demasiado combustible y/o demasiado aire y se produce demasiado calor. Un signo seguro de sobrecalentamiento es cuando partes de la estufa se ponen al rojo. Si sucede esto, reduzca de inmediato la abertura del respiradero.

Solicite la ayuda de un profesional si sospecha que la corriente de la chimenea no es correcta (demasiada corriente o demasiado poca).

5.0 Uso diario

Olores al usar la estufa por primera vez

Cuando se usa la estufa por primera vez, puede emitir un gas irritante que huele ligeramente. Esto ocurre debido a que se seca la pintura. El gas no es tóxico, pero la habitación deberá ventilarse completamente. Deje que el fuego arda con mucha corriente hasta que haya desaparecido todo rastro del gas y no sea posible detectar humo ni olores.

Consejos de calentamiento

Nota: Los troncos que se hayan almacenado en el exterior o en una habitación fría deberán meterse al interior 24 horas antes de usarlos para que alcancen la temperatura ambiente.

Hay varias formas de calentar la estufa, pero siempre es importante tener cuidado con lo que introduce en ella. Consulte la sección sobre "Calidad de la madera".

Calidad de la madera

Por madera de calidad nos referimos a los tipos más conocidos de madera, como abedul, picea y pino.

Los troncos deben secarse de forma que su contenido en humedad no supere el 20 %.

Para esto, los troncos deben cortarse a finales del invierno. Deben partirse y apilarse de forma que se garantice una buena ventilación. Las pilas de madera deben estar cubiertas para proteger los troncos de la lluvia. Los troncos deben ponerse a cubierto a principios del otoño y apilarse para utilizarlos en el próximo invierno.

Tenga cuidado especialmente de no usar nunca los siguientes materiales como combustible en su estufa:

- Basura doméstica, bolsas de plástico, etc.
- Madera pintada o impregnada (*que es extremadamente tóxica*).
- Planchas de madera laminada.
- Restos de madera

Pueden dañar el producto y también son contaminantes.

Nota: Nunca use gasolina, parafina, alcohol desnaturalizado o líquidos similares para encender el fuego. Puede sufrir lesiones graves y ocasionar serios daños al producto.

Consumo de madera

Uso de madera con emisión calorífica nominal: aprox. **1,6 kg/h**. Otro factor importante para un consumo de combustible apropiado es que los troncos sean del tamaño correcto. El tamaño de los troncos deberá ser:

Inflamación:

Longitud: 23 - 33 cm

Diámetro: 2 - 5 cm

Número por fuego: 6 - 8 piezas

Utilización habitual

Leña (troncos partidos):

Longitud: 23 - 33 cm

Diámetro: 8 cm aprox.

Intervalo de adición de leña: aproximadamente cada 45 minutos

Tamaño del fuego: 1,2 kg

Cantidad por carga: 2 piezas

La emisión calorífica nominal se obtiene al abrir el respiradero cerca de un 57 %.

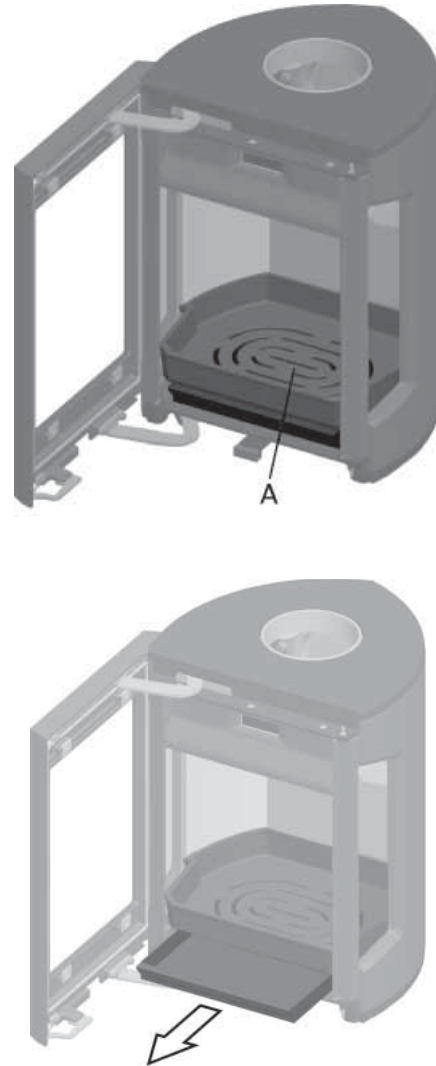
Utilización máxima carga

Máxima carga: 2,9 kg/h (máximo 3 leños / 2,2 Kg por carga).

5.2 Retirada de cenizas

Jøtul F 164 / F 165 / F 166 / F 167 tienen una bandeja de cenizas que permite retirar las cenizas con facilidad.

Fig. 12



1. Empuje las cenizas a través de la rejilla (**fig. 12 A**) de la placa inferior y en la bandeja de cenizas. Use un guante para sujetar el asa de la bandeja de cenizas.
2. Compruebe que la bandeja de cenizas no se llene tanto que impida que la ceniza caiga en ella a través de la rejilla.

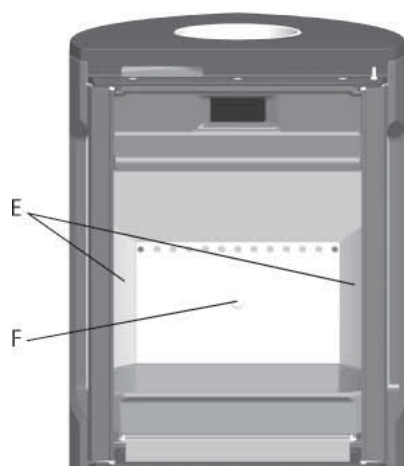
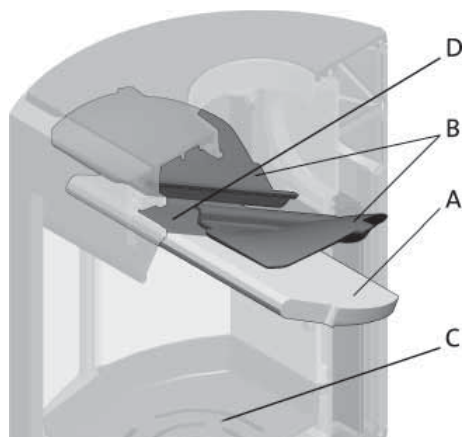
6.0 Servicio

¡Advertencia! Se prohíbe cualquier modificación no autorizada del producto.

Utilice piezas de repuesto originales únicamente.

6.1 Sustitución de las placas de combustión/placa inferior interna

Fig. 13



1. Levante con cuidado la placa deflectoras (**fig. 13 A**).
2. Quite una de las placas de combustión laterales (**fig. 13 E**) levantándola un poco y sacándola. (Tenga en cuenta que si utiliza herramientas, las placas de vermiculita pueden sufrir daños por una manipulación descuidada).
3. Retire la placa deflectoras.
4. Quite la otra placa de combustión lateral.
5. Desatornille el tornillo M8x25 mm en la placa de combustión trasera (**fig. 13 F**) y retire la placa de combustión.
6. Después, levante y retire la placa inferior interna (**fig. 13 C**). Siga el mismo procedimiento para la instalación, pero a la inversa.

6.2 Cambio de la placa deflectoras/deflectores

- Realice los pasos 1-3 indicados bajo la **fig. 13**.
 - Así podrá acceder fácilmente a los deflectores (**fig. 13 B**) si es necesario quitarlos. Van apoyados en un saliente del lateral y en el colector de aire (**fig. 13 D**).
 - Inclínelos hacia abajo y sáquelos por la puerta.
- Para la reinstalación, siga el mismo procedimiento pero a la inversa.

7.0 Mantenimiento

7.1 Limpieza y retirada del hollín

Pueden acumularse depósitos de hollín en las superficies internas de la estufa durante el uso. El hollín es un buen aislante y, por lo tanto, reducirá la potencia calorífica de la estufa. Si se acumulan depósitos de hollín mientras usa el producto, puede eliminarlos fácilmente mediante un limpiador de hollín.

Para evitar que se forme una capa de agua y alquitrán en la estufa, debe dejar que el fuego arda con intensidad regularmente para eliminar la capa. Es necesario realizar una limpieza interna anual para obtener el mejor rendimiento térmico del producto. Es buena idea hacerlo al limpiar la chimenea y los tubos de tiro.

7.2 Deshollinar los tubos de tiro en la chimenea

Los tubos de tiro deben deshollinarse a través de la trampilla del tubo de tiro o a través de la abertura de la puerta. Será necesario desmontar primero una de las placas deflectoras para poder hacerlo.

7.3 Inspección de la estufa

Jøtul le recomienda que inspeccione detenidamente la estufa después de limpiarla/deshollinarla. Revise todas las superficies visibles en busca de grietas. Compruebe también que estén selladas todas las uniones y que todas las juntas estén en la posición correcta. Será necesario sustituir cualquier junta que presente signos de desgaste o deformación.

Limpie cuidadosamente las ranuras de la junta, aplique adhesivo cerámico (disponible en su distribuidor de Jøtul más cercano) y coloque la junta en su sitio apretando bien. La unión se secará con rapidez.

7.4 Mantenimiento exterior

Los productos pintados pueden cambiar de color tras varios años de uso. Deberá limpiarse y cepillarse la superficie para retirar cualquier partícula suelta antes de aplicar pintura nueva.

8.0 Equipo opcional

8.1 Juego de accesorios

Para la Jøtul F 164 y Jøtul F 165
N.º cat. 50036912

8.2 Decoración de esteatita - completo

(no para la Jøtul F 166 y Jøtul F 167)
N.º cat. 51044401

8.3 Cubierta superior de esteatita - 50 mm

N.º cat. 510012327

9.0 Garantía

Jøtul AS ofrece a sus clientes una garantía de diez años, con derecho a devolver los elementos externos de hierro fundido si presentan defectos como resultado de materiales y/o fabricación defectuosa después de la compra/instalación original de la estufa. El comprador tendrá derecho a devolver el producto, cuando la estufa haya sido instalada de conformidad con las normativas y leyes vigentes, y de acuerdo con las instrucciones de instalación y funcionamiento de Jøtul.

La garantía no cubre:

La instalación de accesorios opcionales, por ejemplo la rectificación del estado del tiro o el suministro de aire ni otras circunstancias fuera del control de Jøtul. La garantía no cubre los consumibles, como las placas de combustión, deflectores de humos, rejillas, ladrillos refractarios, amortiguadores ni juntas, puesto que se deterioran con el tiempo debido al uso normal. La garantía no cubre los daños provocados como resultado del uso de combustible inapropiado para encender el fuego, como restos de madera, madera pintada o impregnada, recortes de tablas, aglomerado, etc. Si se usa un combustible inapropiado puede producirse un sobrecalentamiento: la estufa se pone al rojo, lo que produce el descoloramiento de la pintura y el agrietamiento de las piezas de hierro fundido.

La garantía no será válida para los daños ocasionados mientras el producto está en tránsito entre el distribuidor y el lugar de entrega. La garantía tampoco será válida para los daños ocasionados por la utilización de piezas no originales.

Sommario

Manuale di installazione con dati tecnici

1.0 Conformità alle leggi 41

2.0 Dati tecnici 41

3.0 Sicurezza 47

4.0 Installazione 47

5.0 Utilizzo giornaliero 51

6.0 Assistenza 52

7.0 Manutenzione 53

8.0 Accessori opzionali 53

9.0 Garanzia 53

1.0 Conformità alle leggi

L'installazione di un caminetto deve avvenire in base ai codici e alle normative locali in vigore in ciascun paese.

Durante l'installazione del prodotto devono essere rispettate tutte le normative locali, incluse quelle che fanno riferimento a standard nazionali ed europei.

Leggere attentamente il manuale prima di procedere all'installazione. Prima di utilizzare il prodotto, l'impianto deve essere ispezionato da personale qualificato.

Nella base/nel piedistallo, è affissa una targhetta del materiale termoresistente e contenente dati e informazioni sull'identificazione e documentazione del prodotto.

2.0 Dati tecnici

Materiale:	ghisa
Finitura:	vernice nera
Combustibile:	legna
Lunghezza massima dei ciocchi:	33 cm
Scarico fumi:	superiore / posteriore
Dimensioni condotto scarico fumi:	Ø 150 mm, sezione trasversale 177 cm ²
Peso F 164 e F 165:	145 kg
+ rivestimento in pietra ollare:	225 kg
Peso F 166 e F 167:	140 kg
Peso F 166 C e F 167 C:	159 kg
Accessori opzionali:	Kit attrezzi per camino Rivestimento in pietra ollare (non per la F 166 e F 167) Piano superiore in pietra ollare

Dimensioni e distanze: vedere la fig. 1a e fig. 1b

Dati tecnici a norma EN 13240

	Jøtul F 164	Jøtul F 165
	Jøtul F 166	Jøtul F 167
	Jøtul F 166 C	Jøtul F 167 C
Potenza termica nominale:	5 kW	5 kW
Portata dei fumi:	5,0 g/s	5,0 g/s
Tiraggio consigliato per la canna fumaria:	12 Pa	12 Pa
Efficienza:	83% a 5,9 kW	82% a 5,9 kW
Emissioni di CO (13% O ₂):	0,06%	0,10%
Emissioni di CO (13% O ₂):	792 mg/Nm ³	1242 mg/Nm ³
Temperatura dei fumi:	260 °C	260 °C
Tipo di funzionamento:	intermittente	intermittente

Per combustione intermittente, in questo contesto, si intende il normale utilizzo del caminetto, ossia con l'aggiunta di combustibile non appena da quello precedente si è formata una quantità adeguata di braci.



Product: Jøtul Room heater fired by solid fuel				CE
Standard: Minimum distance to adjacent combustible materials: Minimum distance to adjacent non-combustible materials: Emission of CO in combustion products: Flue gas temperature: Nominal heat output: Efficiency: Operational range: Fuel type: Operational type: The appliance can be used in a shared flue.				
Country	Classification	Certification standard	Approved by	
Norway	Mbose II			
Sweden	visc	SP	SP-Sveriges Provnings- och Forskningsinstitut AB	
ELR	Intermittent	EN	SP-Sveidís National Testing and Research Institute	
Follow user's instructions. Use only recommended fuels. Montage- und Bedienungsanleitung beachten. Verwenden Sie nur empfohlenen Brennstoffen. Respectez les consignes d'utilisation. Utilisez uniquement les combustibles recommandés.				
Serial no: Y-xxxx. Year: 200x				
Manufacturer: Jøtul AS POB 1441 N-1602 Fredrikstad Norway				221546

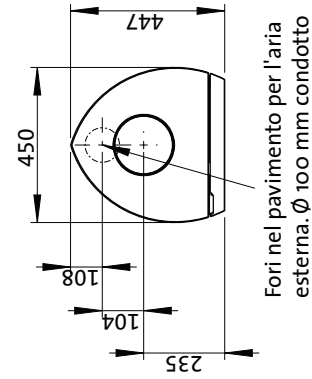
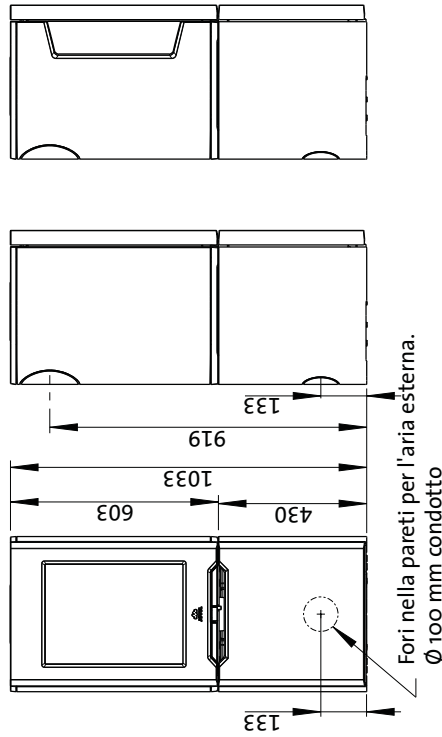
Su tutti i nostri prodotti è applicata un'etichetta che indica il numero di serie e l'anno. Annotare questo numero dove indicato nelle istruzioni di installazione.

Citare sempre questo numero di serie quando ci si rivolge al rivenditore o a Jøtul.

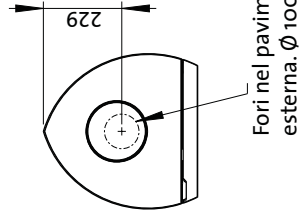
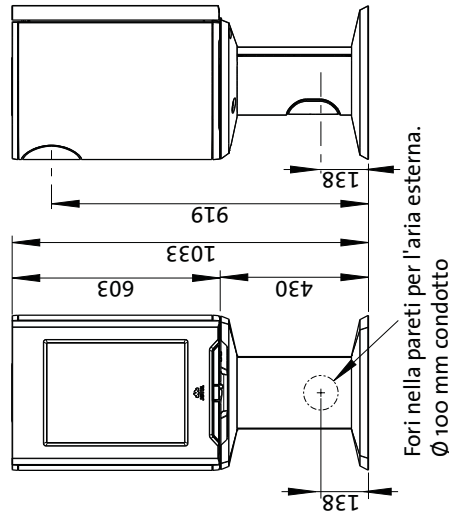
Serial no.

Fig. 1a Jøtul F 164 / Jøtul F 165 / Jøtul F 166 / Jøtul F 167 / Jøtul F 167 C / Jøtul F 166 C / Jøtul F 167 C

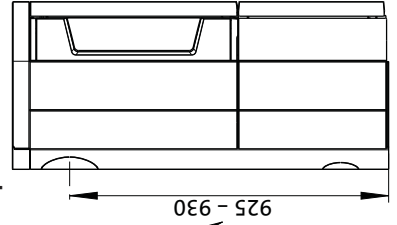
Jøtul F 164 / Jøtul F 165



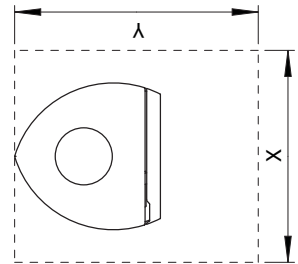
Jøtul F 166 / Jøtul F 167



Jøtul F 164 / Jøtul F 165 con set di pietra ollare e piastra di protezione del pavimento



Dimensioni minime per la piastra di protezione del pavimento X/Y = In conformità alle leggi e alle normative nazionali. Vedere la fase 4.1



Jøtul F 166 C / Jøtul F 167 C

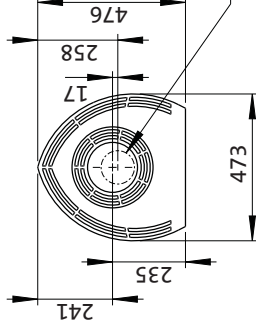
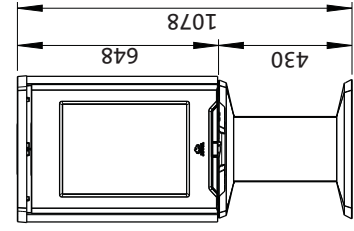
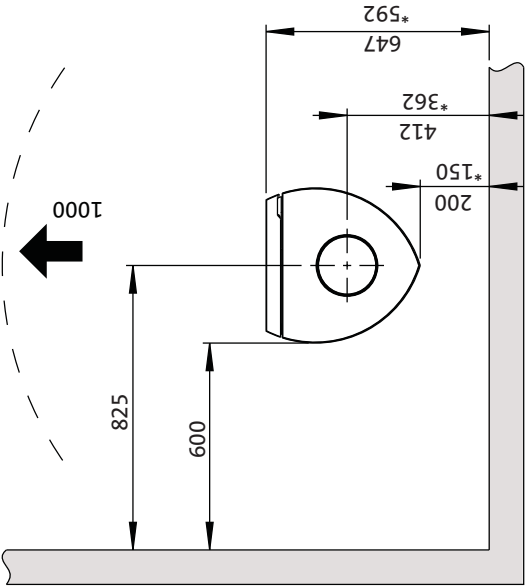


Fig. 1b

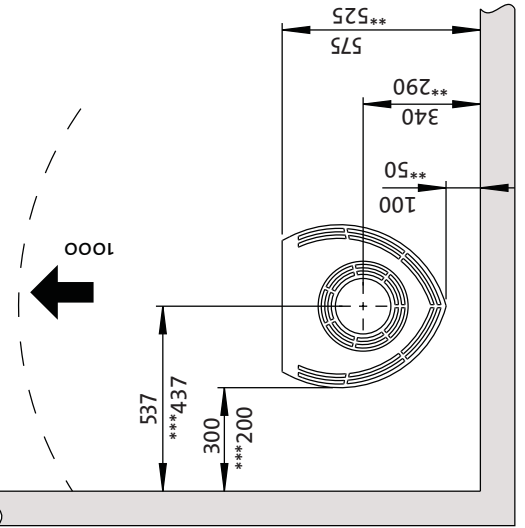
Jøtul F 164 / Jøtul F 165 / Jøtul F 166 / Jøtul F 167

Distanza minima da una parete combustibile, modello base:



Jøtul F 166 C / Jøtul F 167 C

Distanza minima da una parete combustibile, convezione modello:

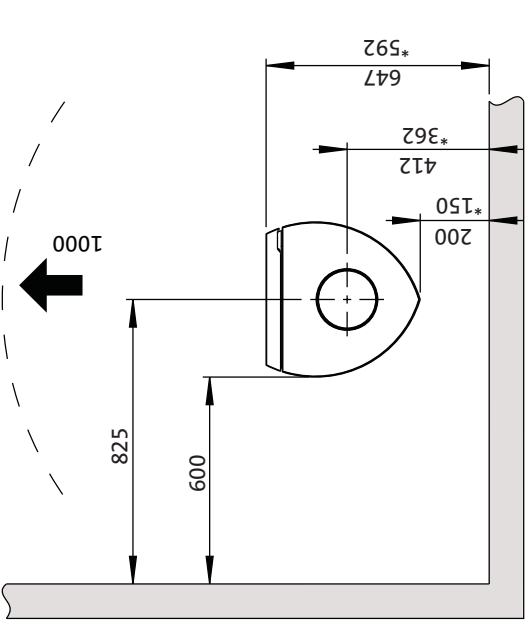


*** Solo per Jøtul F 166 C

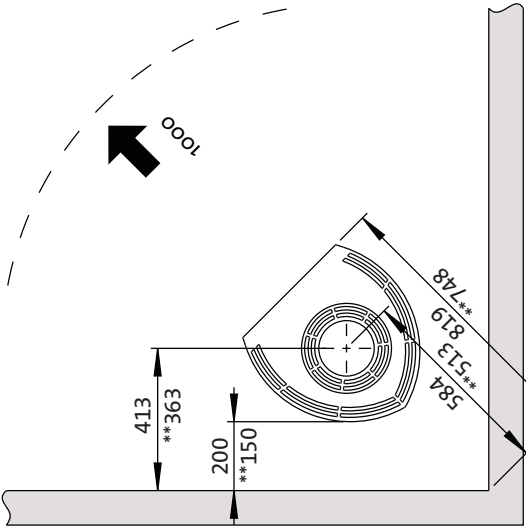
Parete combustibile

Jøtul F 166 C / Jøtul F 167 C

Distanza minima da una parete combustibile, modello base:



* Con la canna fumaria parzialmente isolata / il condotto di scarico fumi dotato di scudo termico completamente abbassati fin contro il prodotto.

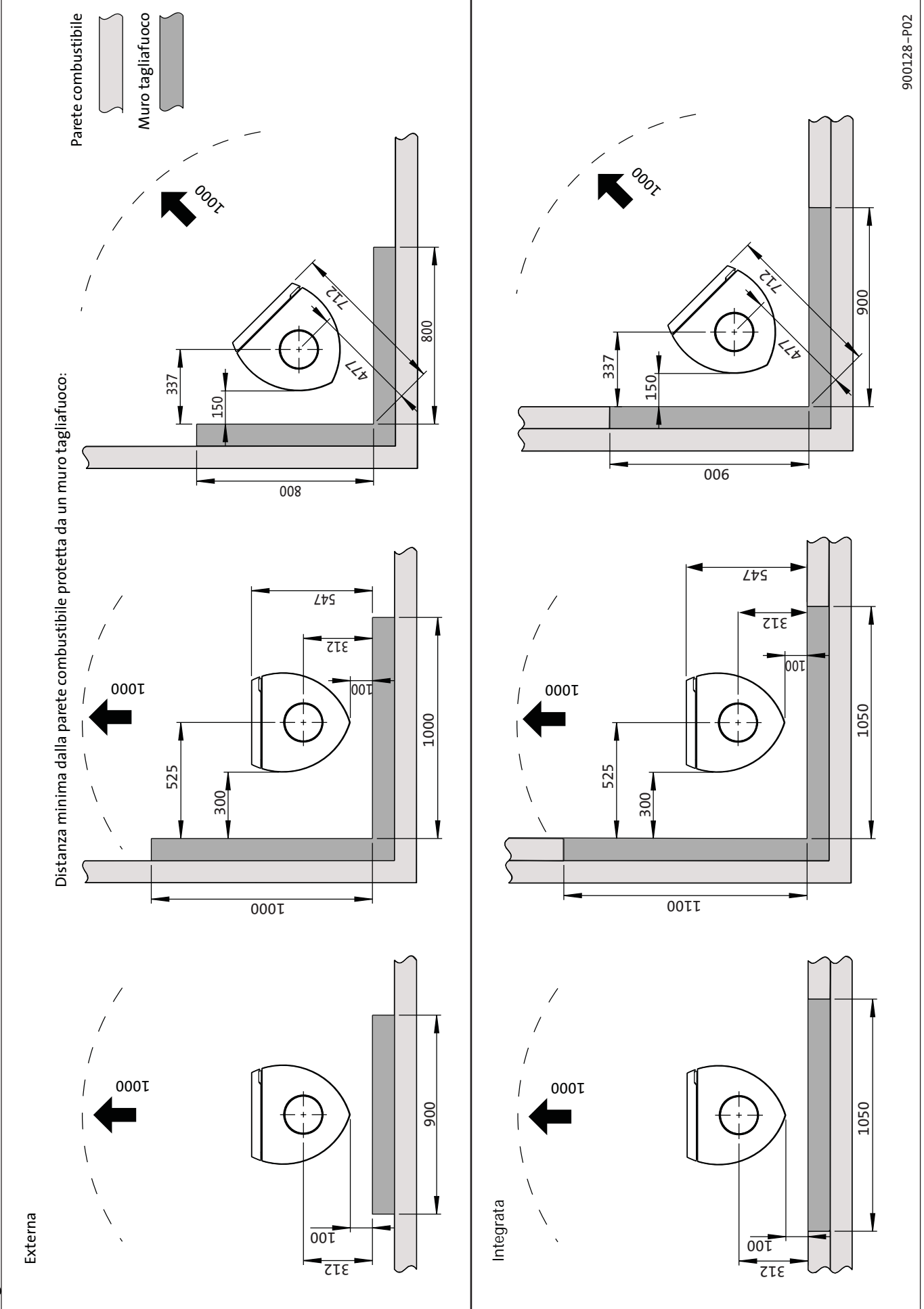


** Jøtul F 166 C / F 167 C con la canna fumaria parzialmente isolata / il condotto di scarico fumi dotato di scudo termico completamente abbassati fin contro il prodotto.

900128-P02

Jøtul F 164 / Jøtul F 165 / Jøtul F 166 / Jøtul F 167

Fig. 1c



Jøtul F 166 C / Jøtul F 167 C

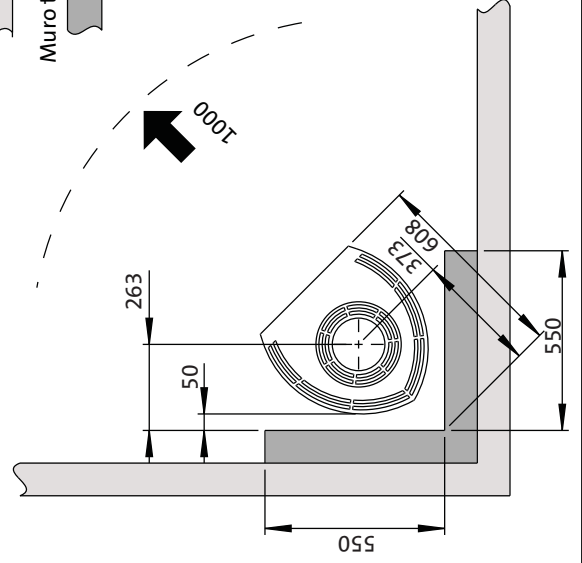
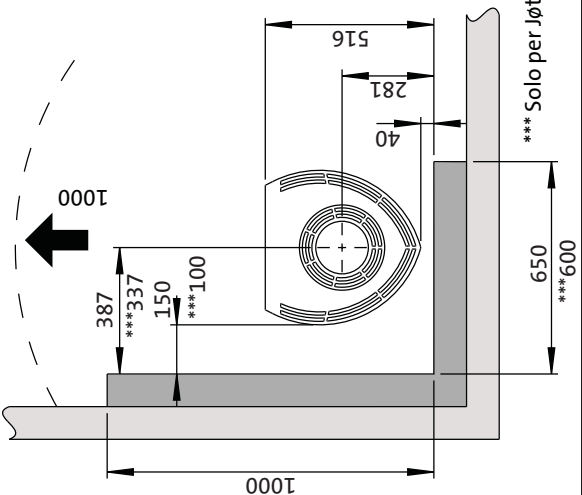
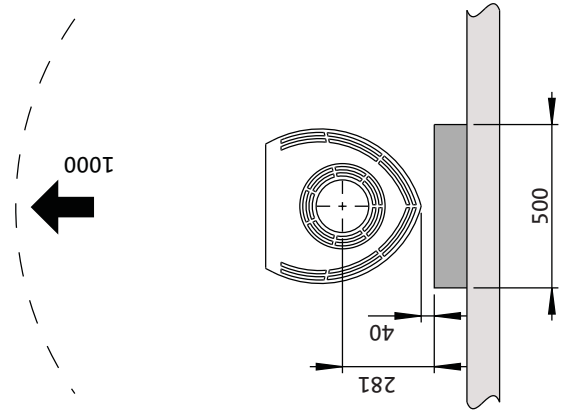
Fig. 1d

Parete combustibile

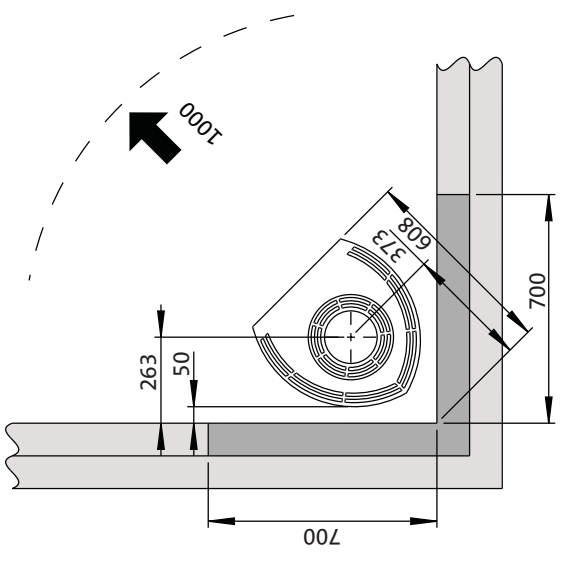
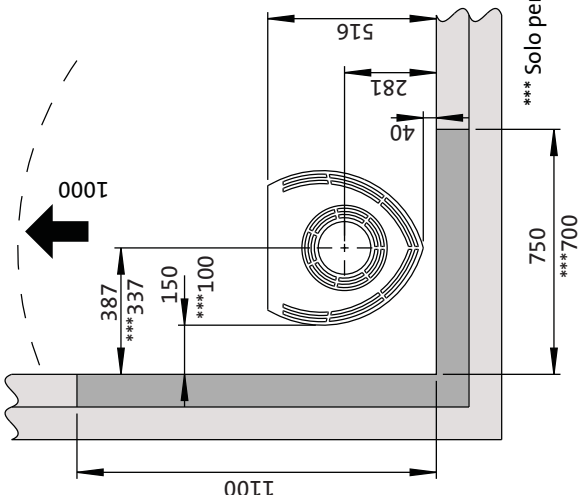
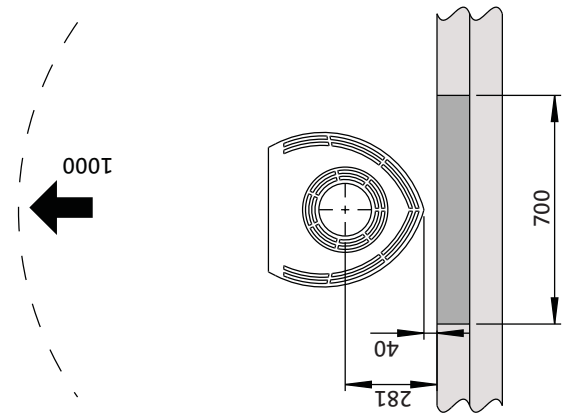
Muro tagliafuoco

Distanza minima dalla parete combustibile protetta da un muro tagliafuoco:

Esterna



Integrata



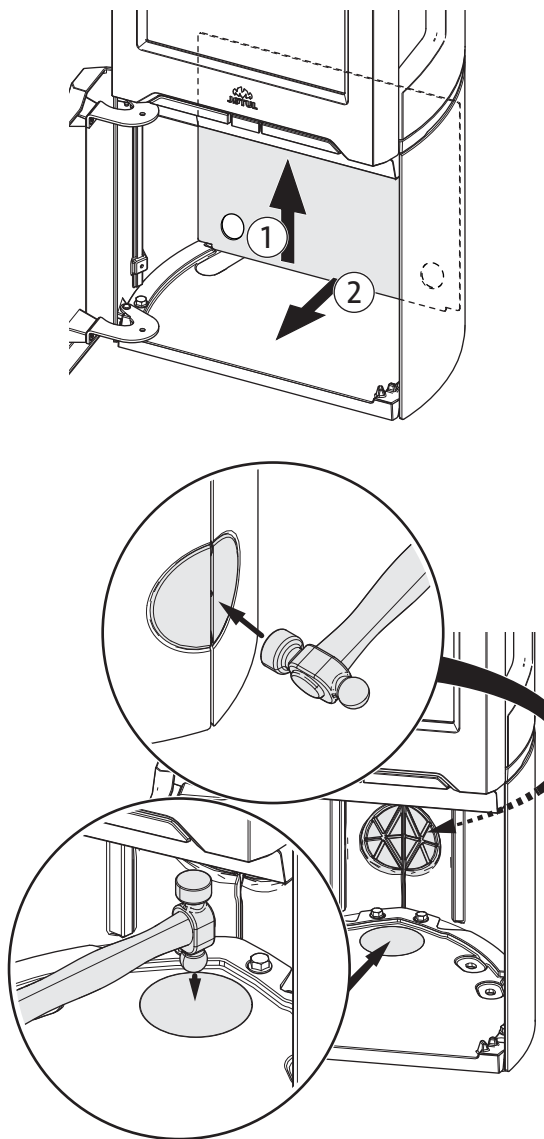
900128-P02

Circolazione dell'aria

Il condotto per l'aria esterna può essere inserito direttamente in Jøtul F 164 / F 165 / F 166 / F 167 attraverso:

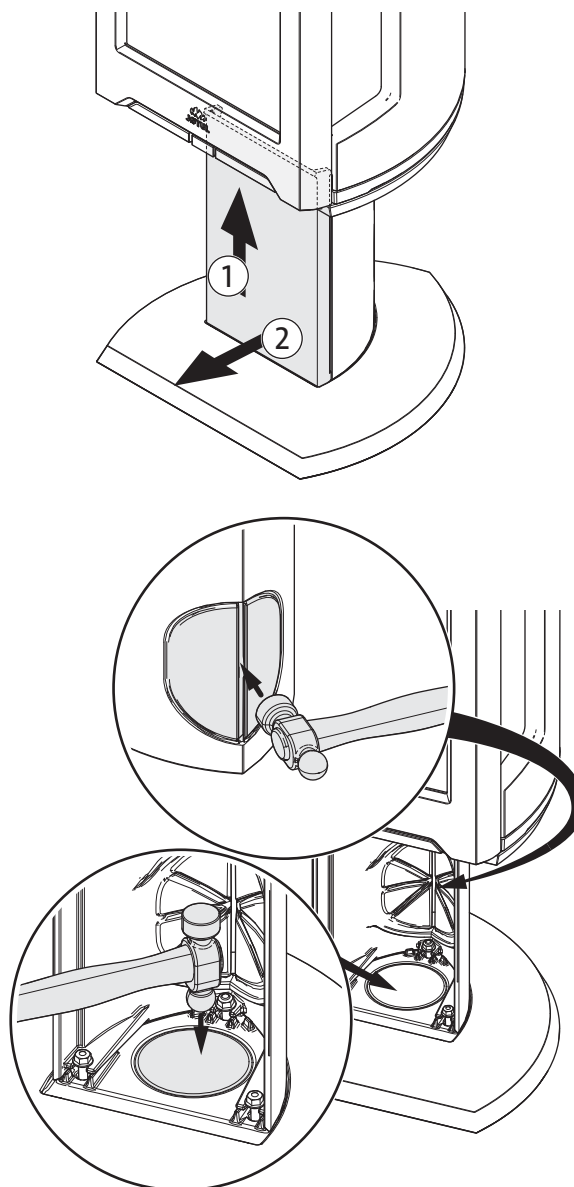
- Un tubo flessibile di circolazione dell'aria dall'esterno/dalla canna fumaria (solo se la canna fumaria presenta un proprio condotto per l'aria esterna) diretto al connettore dell'aria esterna del prodotto.

Fig. 2a, per Jøtul F 164 e Jøtul F 165:



1. Usare un pesante martello e picchiare con decisione nel mezzo del cerchio.

Fig. 2b, per Jøtul F 166 e Jøtul F 167:



1. Usare un pesante martello e picchiare con decisione nel mezzo del cerchio.

Fig. 2c, attraverso una parete esterna

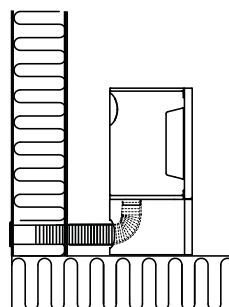
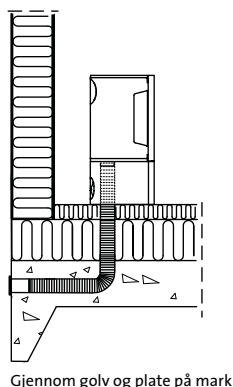


Fig. 2d, attraverso il pavimento e la piastra di terra



Gjennom golv og plate på mark

Fig. 2e, attraverso il pavimento e il basamento

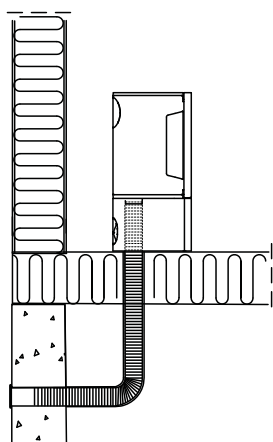
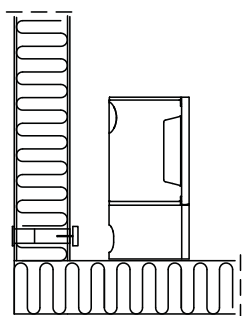


Fig. 2f, indirettamente attraverso una parete esterna



3.0 Sicurezza

Nota: per garantire prestazioni e sicurezza ottimali, le stufe Jøtul devono essere montate da un installatore qualificato.

Qualunque modifica al prodotto da parte del distributore, installatore o consumatore può comportare un funzionamento imprevisto del prodotto e delle funzionalità di sicurezza. Lo stesso si applica all'installazione di accessori o di extra opzionali non forniti da Jøtul. Ciò può riguardare anche componenti essenziali per il funzionamento e la sicurezza del caminetto eventualmente smontati o rimossi.

In tutti i casi citati, il produttore non potrà essere ritenuto responsabile o punibile per il prodotto, rendendo nullo e non valido ogni reclamo.

3.1 Misure di prevenzione antincendio

Ogni utilizzo del caminetto ha in sé un certo elemento di pericolo. Pertanto, è necessario seguire attentamente le seguenti istruzioni:

- Le distanze minime di sicurezza in caso di utilizzo del caminetto sono fornite nella **fig. 1a** e **fig. 1b**.
- Assicurarsi che gli arredi e altri materiali infiammabili non siano troppo vicini al caminetto. I materiali infiammabili non devono mai essere posizionati entro 1000 mm dal caminetto.
- Attendere l'estinzione del fuoco. Non spegnere mai le fiamme con acqua.
- Il caminetto acceso diventa caldo e può causare bruciate se toccato.
- Rimuovere la cenere solo con il caminetto freddo. La cenere può contenere braci calde, pertanto deve essere collocata in un contenitore ignifugo.
- La cenere deve essere collocata all'esterno o svuotata in un luogo in cui non rappresenterà un pericolo potenziale di incendio.

In caso di incendio della canna fumaria

- Chiudere tutte le aperture e le prese d'aria.
- Tenere chiusa la porta del camino.
- Verificare la presenza di fumo in cantina e in soffitta.
- Chiamare i vigili del fuoco.
- Prima di utilizzare di nuovo il camino e la canna fumaria dopo un incendio, è necessario che vengano controllati da un tecnico specializzato che ne assicuri l'integrità e il corretto funzionamento.

4.0 Installazione

N.B. Prima di iniziare l'installazione, assicurarsi che il caminetto non sia danneggiato.

Il prodotto è pesante! Accertarsi di ricevere assistenza durante il montaggio e l'installazione del caminetto.

4.1 Pavimento

Fondamenta

Accertarsi che la solidità del pavimento sia sufficiente per il caminetto. Per le indicazioni relative al peso, vedere la sezione "2.0 Dati tecnici". Durante l'installazione, si consiglia di rimuovere le eventuali pavimentazioni non ancorate alle fondamenta (le cosiddette 'pavimentazioni galleggianti').

Protezione dei pavimenti in materiale combustibile

Se occorre installare il caminetto su un pavimento in materiale combustibile, coprire con una piastra di metallo, o di un altro materiale non combustibile, la parte di pavimento situata sotto e davanti al caminetto. Lo spessore minimo consigliato è pari a 0,9 mm.

È inoltre opportuno rimuovere da sotto la lastra di protezione del pavimento le eventuali pavimentazioni in materiali infiammabili, come linoleum, moquette, ecc.

ITALIANO

La piastra deve essere conforme alle leggi e alle normative nazionali.

Contattare le autorità competenti in materia di edilizia in relazione alle disposizioni e ai requisiti di installazione.

4.2 Pareti (fig. 1)

Distanza dalle pareti in materiale combustibile

È possibile utilizzare il caminetto con un condotto di scarico dei fumi non isolato, a condizione che la distanza dalle pareti in materiale combustibile rispetti i valori indicati nella **fig. 1B**.

Distanza dalle pareti in caso di condotto di scarico dei fumi isolato: Vedere la * **fig. 1b** e ****fig. 1b**.

Distanza dalle pareti protette mediante un muro tagliafuoco

Contattare le autorità competenti in materia di edilizia in relazione alle disposizioni e ai requisiti di installazione.

Requisiti sui muri tagliafuoco

I muri tagliafuoco devono essere spessi almeno **100 mm** ed realizzati in mattoni, mattoni di cemento o cemento leggero. È possibile utilizzare anche altri materiali e strutture provviste della necessaria documentazione.

Distanza dalle pareti non combustibili

Per parete non combustibile si intende un muro non portante realizzato in cemento o mattoni continui.

Contattare le autorità competenti in materia di edilizia in relazione alle disposizioni e ai requisiti di installazione.

4.3 Canne fumarie e condotti di scarico dei fumi

- È possibile collegare il caminetto a una canna fumaria e a un condotto di scarico dei fumi approvati per apparati con fiamma alimentata a combustibile solido, i cui fumi siano alla temperatura specificata nella sezione **“2.o Dati tecnici”**.
- La sezione trasversale della canna fumaria deve essere pari o superiore a quella del condotto di scarico dei fumi. Per il calcolo della sezione trasversale corretta della canna fumaria, vedere la sezione **“2.o Dati tecnici”**.
- Se la sezione trasversale della canna fumaria è sufficiente, è possibile collegare alla stessa canna fumaria più apparati con fiamma alimentata a combustibile solido.
- Il collegamento con la canna fumaria deve essere realizzato in conformità alle istruzioni di installazione fornite dal produttore della stessa.
- Prima di praticare un foro nella canna fumaria, montare e posizionare provvisoriamente il caminetto, in modo da contrassegnare correttamente la sua posizione e quella del foro sulla canna fumaria. Per le dimensioni minime, vedere la **fig. 1**.
- Assicurarsi che il condotto di scarico dei fumi sia inclinato verso l'alto fino alla canna fumaria.
- Utilizzare un condotto di scarico dei fumi dotato di un portello che consenta di pulirlo.

Tenere presente che è particolarmente importante che i collegamenti abbiano una certa flessibilità per evitare che eventuali movimenti durante la fase di installazione causino la formazione di crepe.

N.B. Per il funzionamento corretto del prodotto, è molto importante che i collegamenti siano corretti e ben sigillati.

Tiraggio della canna fumaria; vedere la sezione «2.o Dati tecnici». Se il tiraggio è eccessivo, è possibile controllarlo installando e azionando valvola di regolazione.

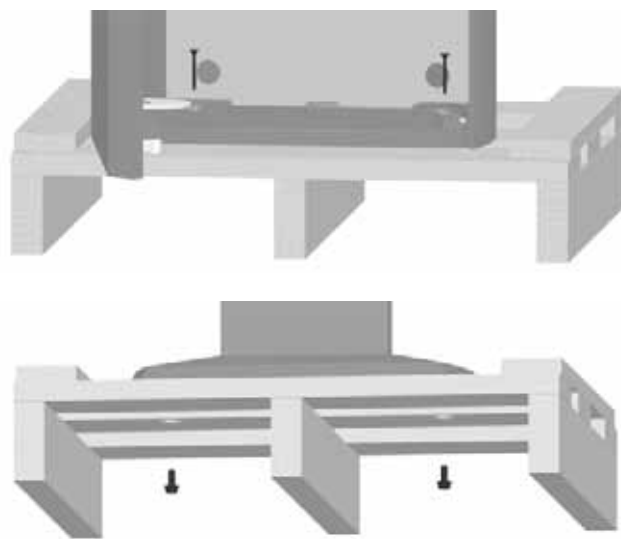
4.4 Montaggio prima dell'installazione

Il prodotto viene consegnato in un unico imballaggio.

Dopo avere disimballato il caminetto, verificare che lo stesso non sia danneggiato e che le manopole di regolazione funzionino.

N.B. Il prodotto è attaccato al pallet con 2 vite.

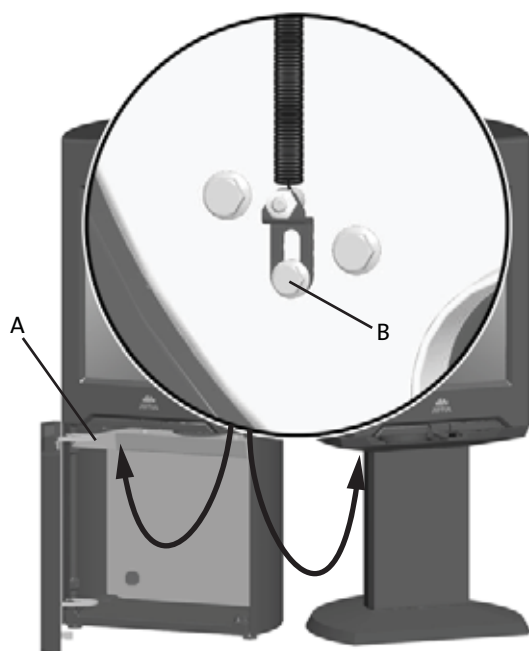
Fig. 3



4.5 Regolazione del meccanismo della porta

Il prodotto viene fornito con il meccanismo di chiusura automatica dello sportello preinstallato. Se necessario, può essere regolato.

Fig. 4



Per Jøtul F 164 e Jøtul F 165:

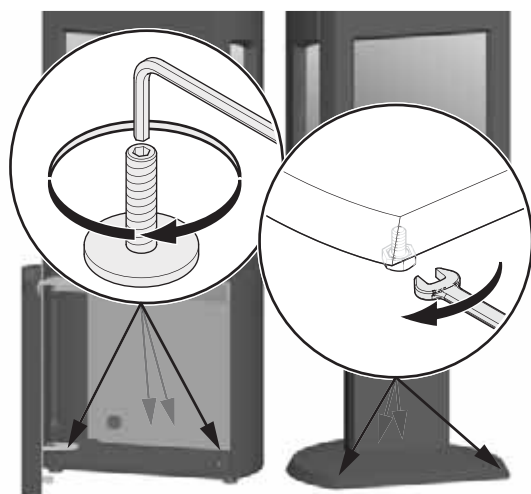
1. Rimuovere lo scudo termico (fig. 4 A).
2. Allentare la vite (fig. 4 B).
3. Regolare la molla spostando la staffa.
4. Serrare la vite.
5. Riposizionare lo scudo termico.

Per Jøtul F 166 e Jøtul F 167:

1. Allentare la vite (fig. 4 B).
2. Regolare la molla spostando la staffa.
3. Serrare la vite.

4.6 Livellare il focolare

Fig. 5

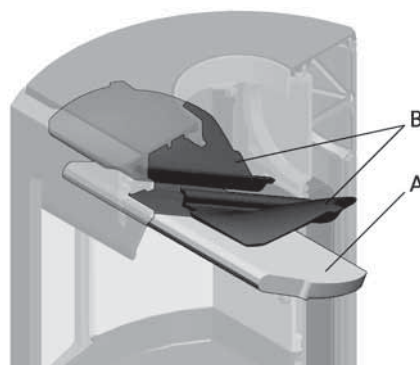


4.7 Installare la canna fumaria nell'uscita fumi posteriore

Il prodotto esce dalla fabbrica con l'attacco della canna fumaria preparato per uscita superiore.

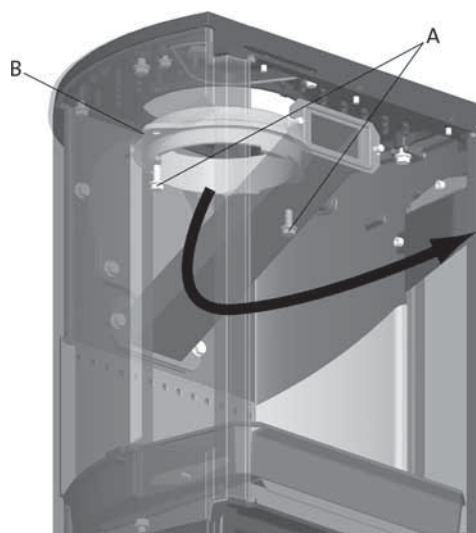
NB! Precedere come segue per installare la stufa con l'uscita fumi posteriore:

Fig. 6



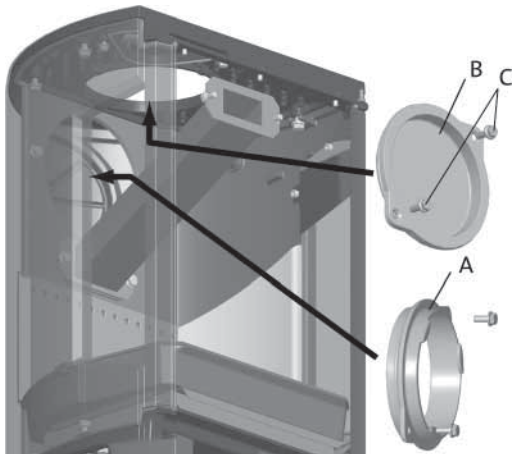
1. Sollevare con cura il parafiamma (fig. 6 A).
2. Rimuovere una delle piastre refrattarie laterali sollevandole leggermente ed estraendole. (se si utilizzano degli attrezzi, prestare attenzione al fatto che le piastre di vermiculite possono danneggiarsi se non vengono trattate con cura).
3. Rimuovere il parafiamma.
4. Rimuovere l'altra piastra refrattaria laterale.
5. Rimuovere i deflettori di aspirazione (fig. 6 B).

Fig. 7



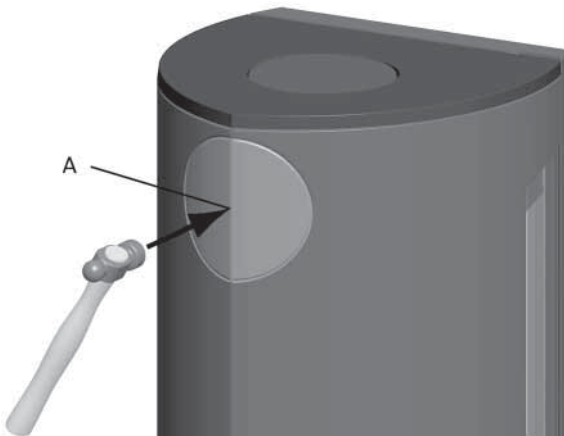
6. Svitare le viti (fig. 7 A) e rimuovere l'attacco della canna fumaria (fig. 7 B) dall'uscita fumi superiore dall'interno della camera di combustione.

Fig. 8



7. Svitare le viti (fig. 8 C) e rimuovere il coperchio (fig. 8 B) dall'uscita fumi posteriore dall'interno della camera di combustione.

Fig. 9



8. Rimuovere la copertura posteriore (fig. 9 A).
9. Avvitare l'attacco per la canna fumaria (fig. 8 A) nell'interno della camera di combustione, dove in precedenza era situato il coperchio.
10. Avvitare il coperchio (fig. 8 B) dove in precedenza era avvitato l'attacco per la canna fumaria.
11. Riposizionare l'estrattore fumi (fig. 6 B) e il deflettore (fig. 6 A).

4.8 Controllo delle funzioni

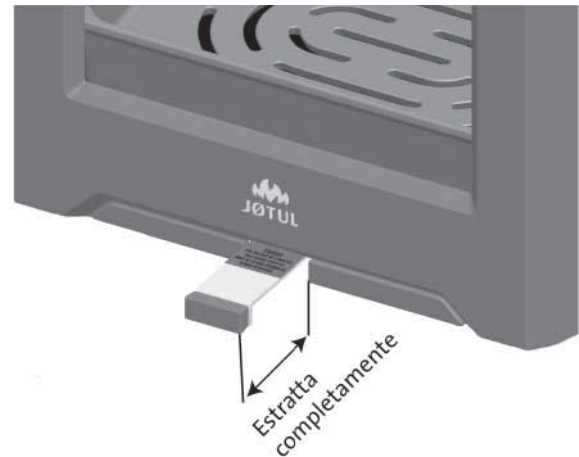
Una volta montato il prodotto, controllare sempre le funzioni di regolazione. Queste devono muoversi facilmente e funzionare in modo soddisfacente.

I modelli Jøtul F 164, F 165, F 166 e F 167 sono dotati dei seguenti dispositivi di regolazione:

Valvola di accensione / presa d'aria

Accensione

Fig. 10



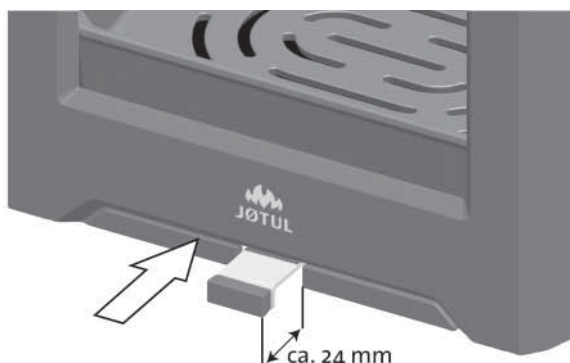
- Aprire le prese d'aria e di accensione estraendo completamente le manopole. (Utilizzare un guanto o simile per proteggere la mano nel caso in cui le manopole siano calde.)



- Posizionare due ceppi in fondo alla camera di combustione e impilare le fascine in strati.
- Infine, posizionare un ceppo di dimensioni medie in cima alla pila.
- Posizionare 2 o 3 bricchette o ramoscelli sotto lo strato superiore di fascine e accendere il fuoco.

Riscaldamento

Fig. 11



- Quando la legna ha preso fuoco e brucia correttamente, fare scorrere la valvola di accensione / presa d'aria (fig. 11) fino a quando è estesa di circa 24 mm.
- Chiudere la porta.
- Dopodiché, è possibile variare il tasso di combustione per ottenere il calore desiderato regolando la presa d'aria.
- Controllare che abbia inizio la postcombustione (combustione secondaria). Ciò viene indicato dalla presenza di fiamme gialle e guizzanti davanti ai fori sotto il parafiamma.
- Se il flusso d'aria è normale, sarà possibile chiudere la porta e il fuoco si regolerà autonomamente.

Aggiunta della legna

Alimentare frequentemente la stufa, aggiungendo solo piccoli quantitativi di combustibile alla volta. Se la stufa è troppo piena, il calore creato potrebbe causare sollecitazioni estreme della canna fumaria. Aggiungere con moderazione il combustibile al fuoco. Evitare i fuochi che bruciano senza fiamme, dato che ciò produrrà il massimo inquinamento. Un fuoco ottimale si ottiene con una buona bruciatura e un fumo in uscita dalla canna fumaria quasi invisibile.

4.9 Pericolo di surriscaldamento

Il caminetto non deve mai essere utilizzato in modo tale da causare surriscaldamento

Il surriscaldamento si verifica in presenza di un eccesso di combustibile e/o di aria, causando un calore eccessivo. Un segno evidente di surriscaldamento è la presenza di un bagliore rosso in alcune parti del caminetto. Se ciò dovesse accadere, ridurre immediatamente l'apertura della presa d'aria.

5.0 Utilizzo giornaliero

Odori al primo utilizzo del caminetto

Quando il caminetto viene utilizzato per la prima volta, può emettere un gas irritante dal lieve odore. Ciò si verifica perché la vernice si secca. Il gas non è tossico, tuttavia il locale deve essere ventilato approfonditamente. Lasciare bruciare il fuoco con un tiraggio elevato, fino a far scomparire ogni traccia di gas, fumo e odore.

5.1 Funzionamento

Consiglio per l'alimentazione della stufa

Nota: i ceppi conservati all'aperto o in un locale freddo devono essere collocati all'interno 24 ore prima dell'uso, al fine di portarli alla temperatura ambiente.

Ci sono vari modi per alimentare la stufa, tuttavia è sempre importante prestare attenzione a ciò che viene collocato nella stufa. Consultare la sezione "Qualità della legna".

Qualità della legna

Per "legna di qualità" si intendono tipi di legna generalmente conosciuti come la betulla, l'abete e il pino.

I ceppi devono essere asciugati, in modo che il contenuto di umidità non sia superiore al 20%.

A tal fine, si consiglia di tagliare i ceppi alla fine dell'inverno. Tagliarli e impilarli in modo da garantire una buona ventilazione. Le pile di legna devono essere coperte per proteggere i ceppi dalla pioggia. Portare i ceppi all'interno all'inizio dell'autunno e impilarli/conservarli per utilizzarli in inverno.

Prestare particolare attenzione a non utilizzare mai i seguenti materiali come combustibile per il caminetto:

- Rifiuti domestici, buste di plastica, ecc.
- Legname verniciato o impregnato (*in quanto estremamente tossico*).
- Assi di legno laminato.
- Cumuli di legname trasportato dalla corrente

Possano danneggiare il prodotto e sono anche inquinanti.

Consumo di legna

Uso di legna con una produzione nominale di calore: circa **1,6 kg/h**. Le dimensioni corrette dei ciocchi costituiscono un altro fattore importante per un giusto consumo di combustibile. Le dimensioni dei ciocchi devono essere pari a:

Fascine:

Lunghezza: 23 - 33 cm

Diametro: 2 - 5 cm

Quantità per ciascuna accensione: 6 - 8 pezzi

Uso quotidiano

Legna da ardere (ciocchi tagliati):

Lunghezza: 23 - 33 cm

Diametro: circa 8 cm

Intervalli di aggiunta della legna: circa ogni 45 minuti

Dimensioni del carico: 1,2 kg

Quantità per ciascun carico: 2 pezzi

La produzione nominale di calore viene raggiunta quando l'apertura della presa d'aria è pari al 57 % circa.

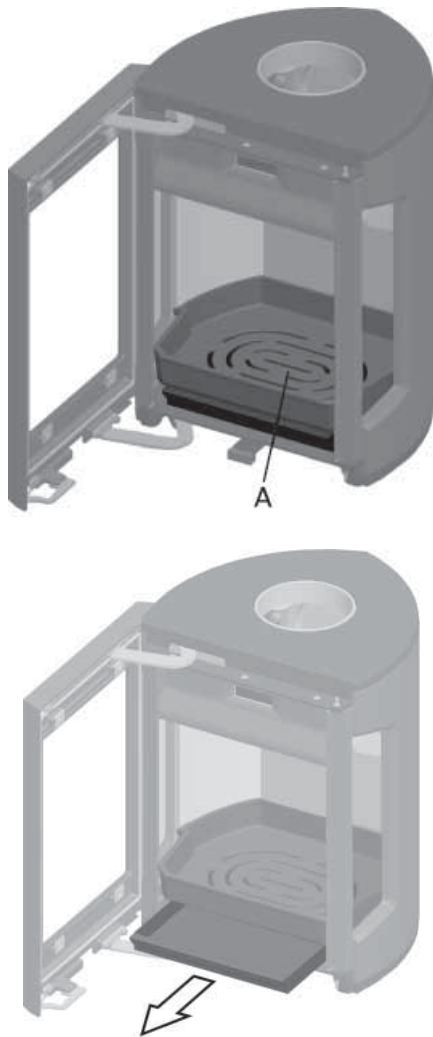
Uso Massimo

Carico Massimo: 2,9 Kg/h (massimo 3 ceppi/2,2 Kg per carico).

5.2 Eliminazione della cenere

I modelli Jøtul F 164 / F 165 / F 166 / F 167 sono dotati di un ceneraio che agevola l'eliminazione della cenere.

Fig. 12



1. Raschiare la cenere facendola cadere nel ceneraio attraverso la grata (**fig. 12 A**) presente nella piastra di base. Utilizzare un guanto per afferrare la maniglia del ceneraio.
2. Accertarsi che il ceneraio non sia pieno al punto da impedire la fuoriuscita della cenere attraverso la grata.

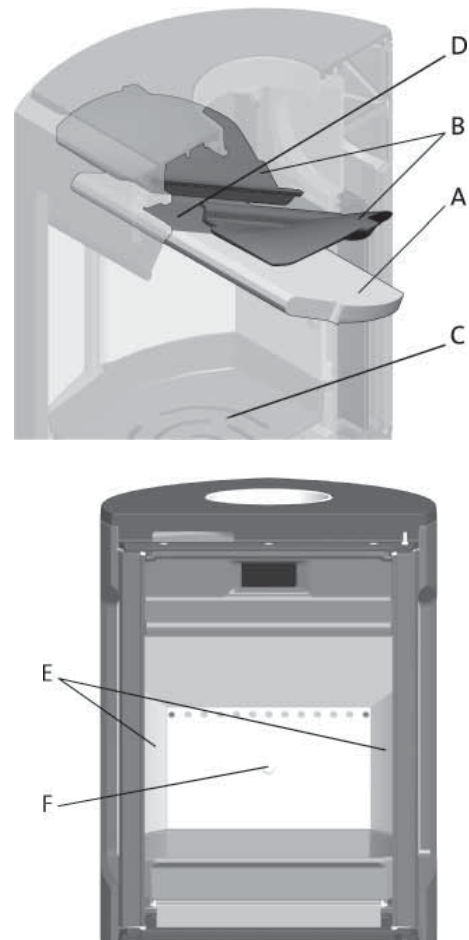
6.0 Assistenza

Avvertenza: È vietata qualunque modifica non autorizzata del prodotto.

Utilizzare esclusivamente ricambi originali.

6.1 Sostituzione delle piastre refrattarie/ della piastra inferiore interna

Fig. 13



1. Sollevare con cura il parafiamma (**fig. 13 A**).
2. Rimuovere una delle piastre refrattarie laterali (**fig. 13 E**) sollevandole leggermente ed estraendole. (se si utilizzano degli attrezzi, prestare attenzione al fatto che le piastre di vermiculite possono danneggiarsi se non vengono trattate con cura).
3. Rimuovere il parafiamma.
4. Rimuovere l'altra piastra refrattaria laterale.
5. Svitare la vite M8 x 25 mm presente sulla piastra refrattaria posteriore (**Fig. 13 F**), quindi rimuovere tale piastra.
6. A questo punto, sollevare e rimuovere la piastra inferiore interna (**Fig. 13 C**).

Per l'installazione, eseguire la stessa procedura nell'ordine inverso.

6.2 Sostituzione del parafiamma/dei deflettori

- Vedere la fase 1 - 3 sotto la **fig. 13**.
- A questo punto, se occorre rimuovere i deflettori è facile raggiungerli (**fig. 13 B**). Sono situati su un pomello laterale e sul collettore dell'aria (**fig. 13 D**).
- Inclinare verso il basso ed estrarli attraverso lo sportello. Per reinstallarlo, eseguire la stessa procedura nell'ordine inverso.

7.0 Manutenzione

7.1 Pulizia e rimozione della fuliggine

I depositi di fuliggine possono accumularsi sulle superfici interne del caminetto durante l'uso. La fuliggine è un buon isolante, pertanto riduce la potenza termica del caminetto. Se si accumulano depositi di fuliggine durante l'utilizzo del prodotto, per rimuoverli è sufficiente utilizzare un detergente specifico.

Al fine di impedire la formazione di acqua e di uno strato di pece liquida nel caminetto, consentire regolarmente la presenza di fiamme particolarmente calde per rimuovere lo strato. È richiesta una pulizia interna annuale per ottenere i migliori risultati termici dal prodotto. Si consiglia di effettuarla insieme alla pulizia della canna fumaria e dei condotti.

7.2 Pulizia dei condotti alla canna fumaria

I condotti devono essere spazzati attraverso l'apposito portello o l'apertura della porta. Uno dei parafiamma dovrà prima essere rimosso per consentire l'esecuzione di tale operazione.

7.3 Ispezione del caminetto

Jøtul raccomanda di ispezionare attentamente il proprio caminetto dopo averlo spazzato e pulito. Controllare tutte le superfici visibili per individuare eventuali crepe. Controllare anche che tutti i giunti siano sigillati e che tutte le guarnizioni siano nelle posizioni corrette. Qualsiasi guarnizione che mostri segni di usura o deformazione deve essere sostituita.

Pulire accuratamente le scanalature delle guarnizioni, applicare della colla per ceramica (disponibile presso il proprio rivenditore Jøtul locale) e premere la guarnizione in posizione. Il giunto si asciugherà rapidamente.

7.4 Manutenzione esterna

Il colore dei prodotti verniciati può alterarsi dopo svariati anni di utilizzo. La superficie deve essere pulita e spazzolata in modo da rimuovere ogni residuo prima di applicare la nuova vernice.

8.0 Accessori opzionali

8.1 Kit attrezzi per camino

Per la Jøtul F 164 / Jøtul F 165
N. cat. 50036912

8.2 Rivestimento completo in pietra ollare

Nota: Non per la Jøtul F 166 / Jøtul F 167.
N. cat. 51044401

8.3 Piano superiore in pietra ollare - 50 mm

N. cat. 51012327

9.0 Garanzia

Jøtul AS fornisce ai propri clienti una garanzia decennale che prevede il diritto alla restituzione degli elementi esterni in ghisa, qualora mostrino difetti nei materiali e/o nella fabbricazione, dopo l'acquisto iniziale/installazione del caminetto. L'acquirente ha diritto alla restituzione delle merci nel caso in cui il caminetto sia stato installato in conformità alle leggi e normative vigenti e in conformità alle istruzioni di installazione e funzionamento di Jøtul.

La garanzia non copre:

L'installazione degli accessori opzionali, ad esempio per modificare le condizioni di tiraggio locale, la circolazione dell'aria o altre circostanze al di fuori del controllo di Jøtul. La garanzia non copre i consumabili, come le piastre refrattarie, i parafiamma, le grate del fuoco, le grate inferiori, gli elementi refrattari in mattone, le valvole di tiraggio e le guarnizioni, essendo soggetti a deterioramento nel tempo a causa della normale usura. La garanzia non copre i danni causati a seguito dell'utilizzo di un combustibile non idoneo per accendere il fuoco, come cumuli di legname trasportato dalla corrente, legna impregnata e verniciata, ritagli di assi, truciolo, ecc. Utilizzando combustibili non idonei, può verificarsi facilmente un surriscaldamento, una condizione in grado di causare lo scolorimento della vernice e crepe alle parti in ghisa.

La garanzia non è valida per i danni causati durante il passaggio del prodotto dal distributore all'indirizzo di consegna. Inoltre, la garanzia non è valida per i danni dovuti all'utilizzo di componenti non originali.

Inhoudsopgave

Installatiehandleiding met technische gegevens

1.0	Wettelijke voorschriften	54
2.0	Technische gegevens	54
3.0	Veiligheid.....	60
4.0	Installatie	60
5.0	Dagelijks gebruik	64
6.0	Groot onderhoud	65
7.0	Onderhoud	65
8.0	Optionele accessoires	66
9.0	Garantie.....	66

1.0 Wettelijke voorschriften

Een haard moet in elk land volgens de lokale regels en voorschriften worden geïnstalleerd.

Bij het installeren van het product moeten alle lokale voorschriften, inclusief de bepalingen die betrekking hebben op nationale en Europese normen, worden nageleefd.

Lees de installatiehandleiding zorgvuldig door voordat u de kachel of haard installeert. Voordat het product wordt gebruikt, moet de installatie door een bevoegd persoon zijn geïnspecteerd.

Er is een naamplaatje van hittebestendig materiaal bevestigd op de basis/het voetstuk. Op het typeplaatje staan typegegevens van het product en verwijzingen naar documentatie.

2.0 Technische gegevens

Materiaal:	Gietijzer
Afwerking:	zwarte lak
Brandstof:	Hout
Max. lengte blokken:	33 cm
Kacheluitlaat:	Boven/achter
Afmeting kachelpijp:	Ø 150 mm, 177 cm ² doorsnede
Gewicht F 164 / F 165:	145 kg
• met spekstenen:	225 kg
Gewicht F 166 / F 167:	140 kg
Gewicht F 166 C / F 167 C:	159 kg
Optionele accessoires:	Haardset Spekstenen, complete (niet voor F 166 / F 167) Spekstenen bovenkant

Afmetingen, afstanden: Zie fig. 1a en fig. 1b

Technische gegevens conform EN 13240:

	Jøtul F 164	Jøtul F 165
	Jøtul F 166	Jøtul F 167
	Jøtul F 166 C	Jøtul F 167 C
Nominale warmteafgifte:	5 kW	5 kW
Massastroom rookgas:	5,0 g/s	5,0 g/s
Aanbevolen schoorsteentrek:	12 Pa	12 Pa
Efficiëntie:	83%@5,9 kW	82%@5,9 kW
CO-uitstoot (13% O ₂):	0,06 %	0,10 %
CO-uitstoot (13% O ₂):	792 mg/Nm ³	1242 mg/Nm ³
Rookgastemperatuur:	260 °C	260 °C
Werkingsstijl:	cyclisch	cyclisch

Onder cyclische verbranding wordt normaal gebruik van een haard verstaan. Dit houdt in dat een nieuwe verbrandingskamer wordt ontstoken zodra de brandstof is opgebrand tot de juiste hoeveelheid gloeiende as.



Product: Jøtul Room heater fired by solid fuel				CE
Standard: Minimum distance to adjacent combustible materials: Minimum distance to adjacent non-combustible materials: Emission of CO in combustion products: Flue gas temperature: Nominal heat output: Efficiency: Operational range: Fuel type: Operational type: The appliance can be used in a shared flue.				
Country	Classification	Certification standard	Approved by	
Norway	MBOse II		SP-Sveinns Prøvnings- och forskningsinstitut AB	
Sweden	osc	SP	SP-Sveinns Prøvnings- och forskningsinstitut AB	
ELR	Intermittent	EN	SP-Sveinns Prøvnings- och forskningsinstitut AB	
Follow user's instructions. Use only recommended fuels. Montage- und Bedienungsanleitung beachten. Verwenden Sie nur empfohlenen Brennstoffen. Respectez les consignes d'utilisation. Utilisez uniquement les combustibles recommandés.				
Serial no: Y-xxxx. Year: 200x				
Manufacturer: Jøtul AS POB 1441 N-1602 Fredrikstad Norway				221546

Al onze producten zijn voorzien van een label met een serienummer en een jaartal. Noteer dit nummer op de daarvoor bestemde plaats in de installatie-instructies.

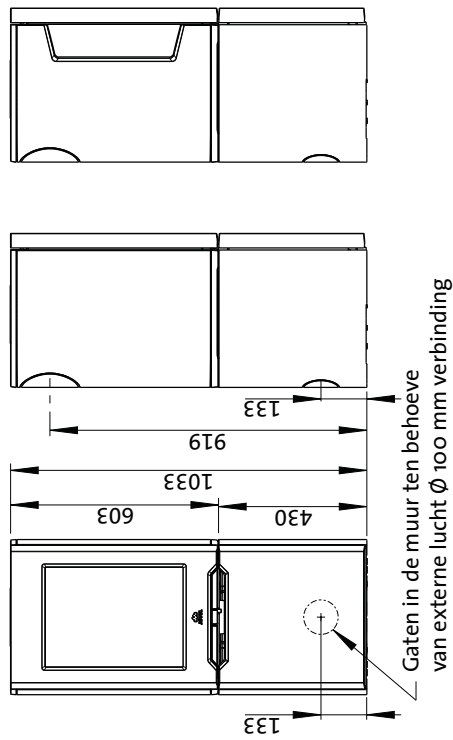
Geef dit serienummer altijd door als u contact opneemt met uw leverancier of Jøtul.

Serial no.

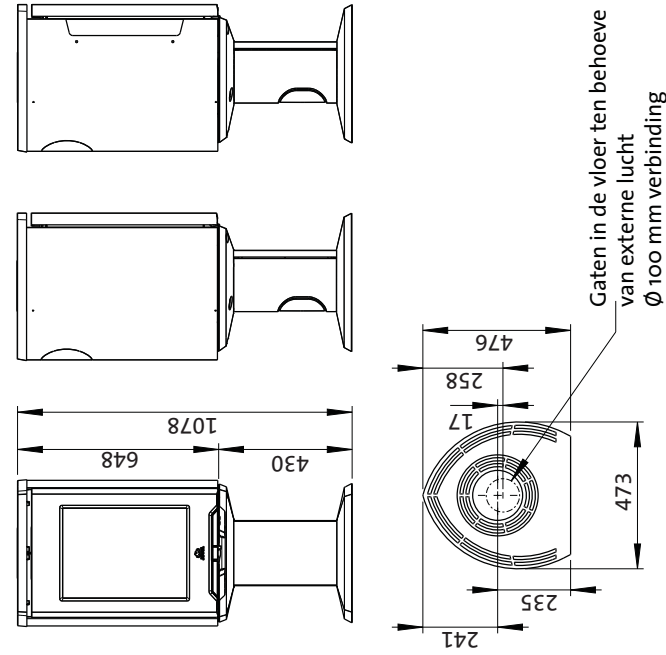
Jøtul F 164 / Jøtul F 165 / Jøtul F 166 / Jøtul F 167 / Jøtul F 167 C / Jøtul F 166 C / Jøtul F 167 C

Afb. 1a

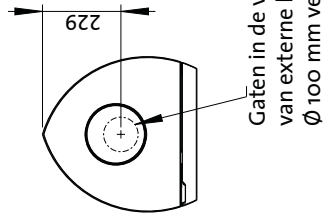
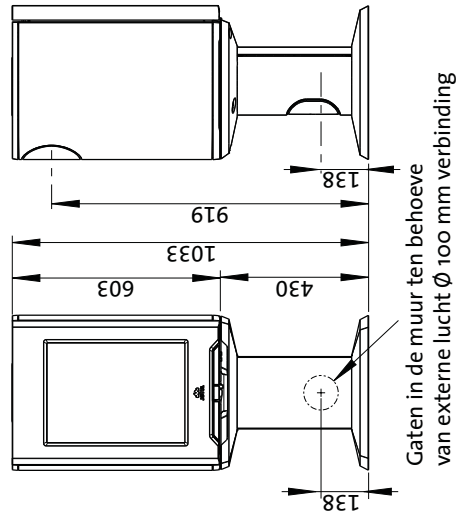
Jøtul F 164 / Jøtul F 165



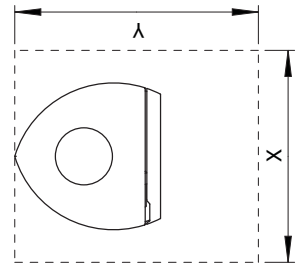
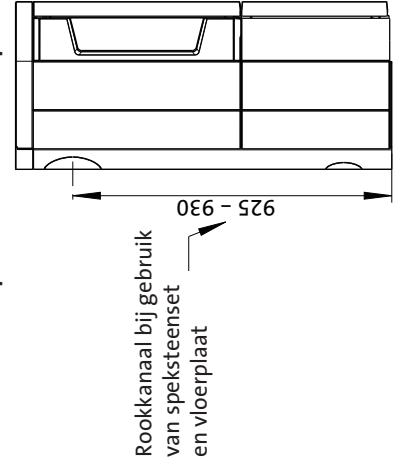
Jøtul F 166 C / Jøtul F 167 C



Jøtul F 166 / Jøtul F 167



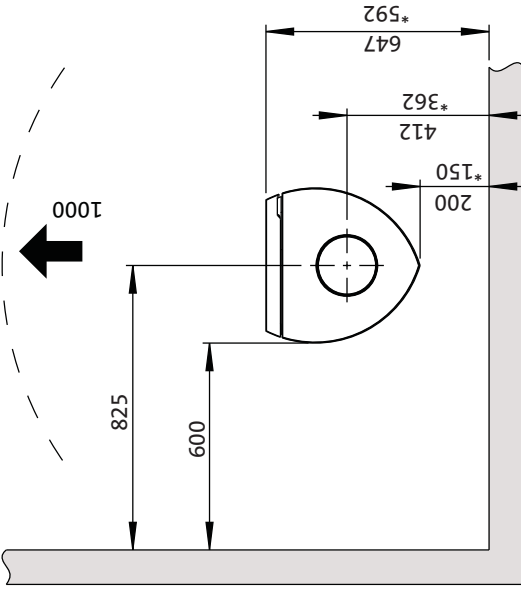
Jøtul F 164 / Jøtul F 165 met speksteen en vloerplaat



Minimale afmetingen voor de vloerplaat X/Y = in overeenstemming met nationale wet- en regelgeving. Zie hoofdstuk 4.1

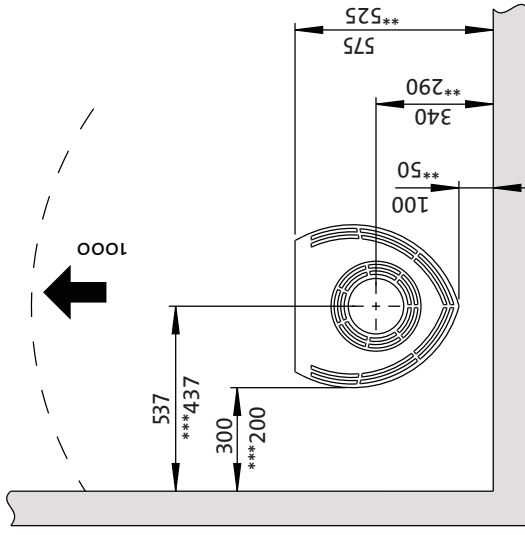
Afb. 1b Jøtul F 164 / Jøtul F 165 / Jøtul F 166 / Jøtul F 167

Minimale ruimte t.ov. brandbare muur, basismodel:



Jøtul F 166 C / Jøtul F 167 C

Minimale ruimte t.ov. brandbare muur, convectiemodel:

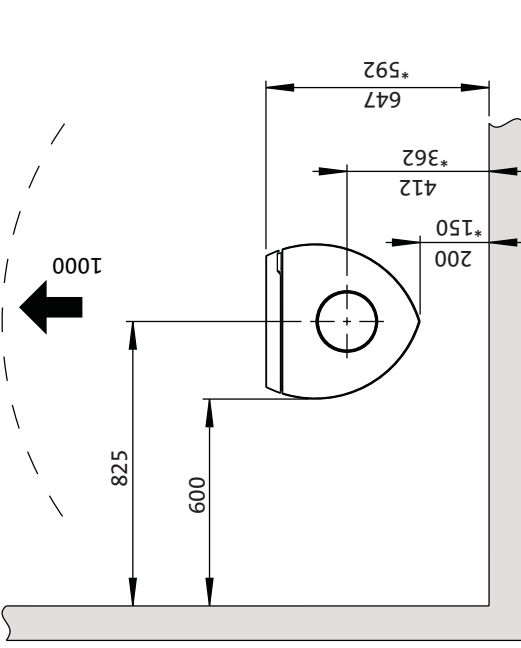


Brandbare muur

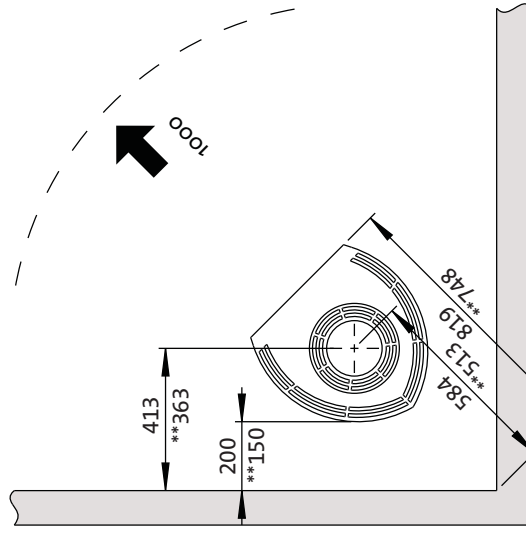
*** Alleen voor Jøtul F 166 C

Afb. 1b

Minimale ruimte t.ov. brandbare muur, convectiemodel:



* Met halfgeïsoleerde schoorsteen/afgeschermd kachelpijp helemaal omlaag tot aan het product.

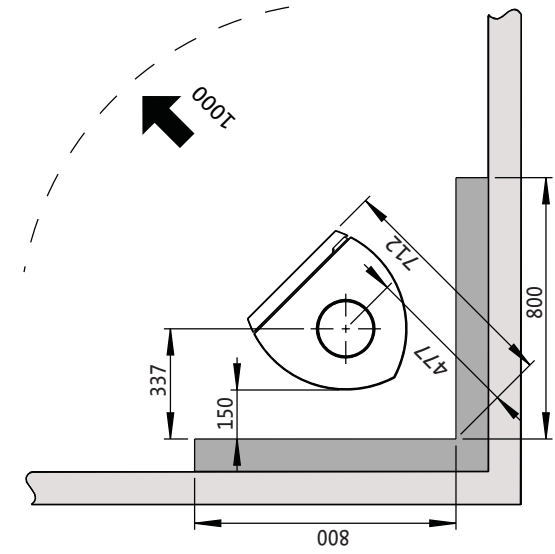
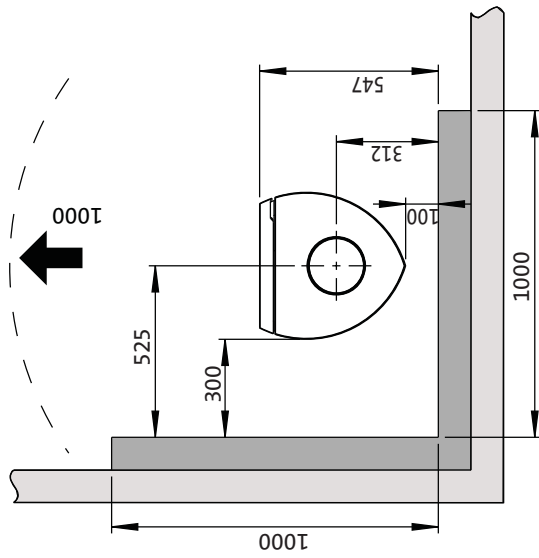
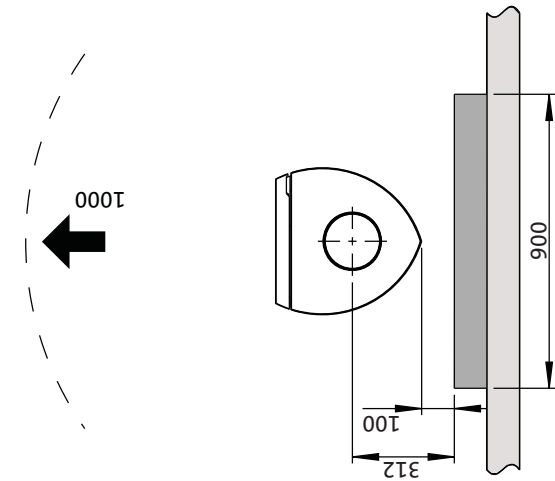


** Jøtul F 166 C / F 167 C met halfgeïsoleerde schoorsteen/afgeschermd kachelpijp helemaal omlaag tot aan het product.

Jøtul F 164 / Jøtul F 165 / Jøtul F 166 / Jøtul F 167

Afb. 1c

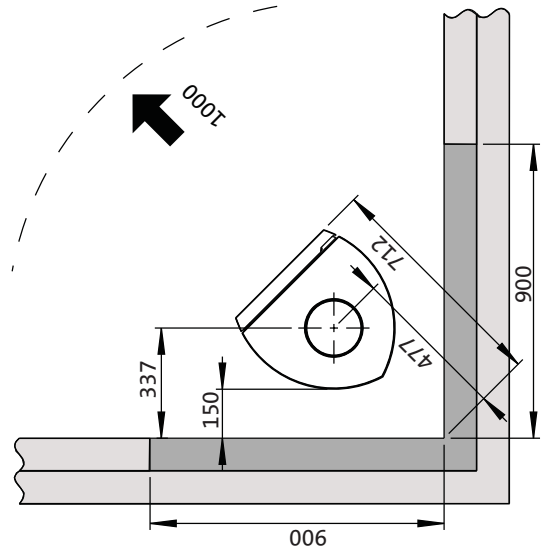
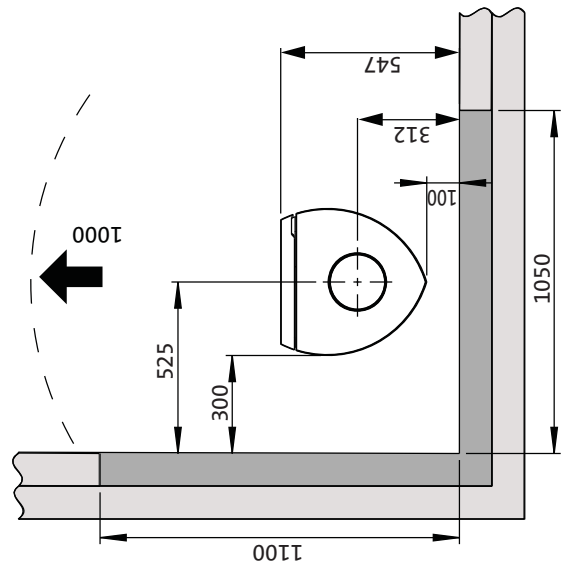
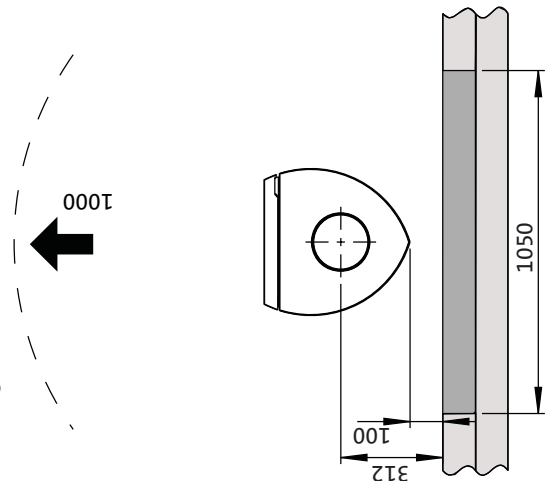
Extern



Brandbare muur
Brandmuur

Minimale afstand tot brandbare muur beschermd door brandmuur :

Geïntegreerd

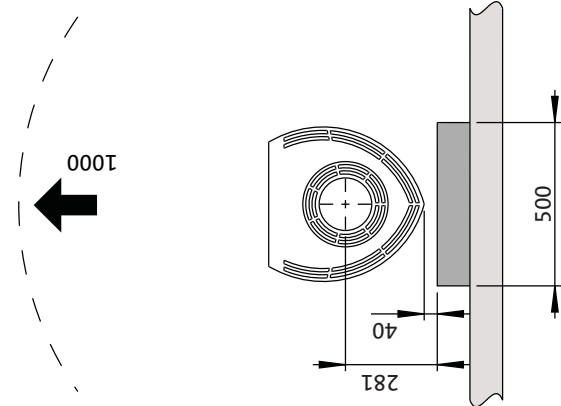


900128-P02

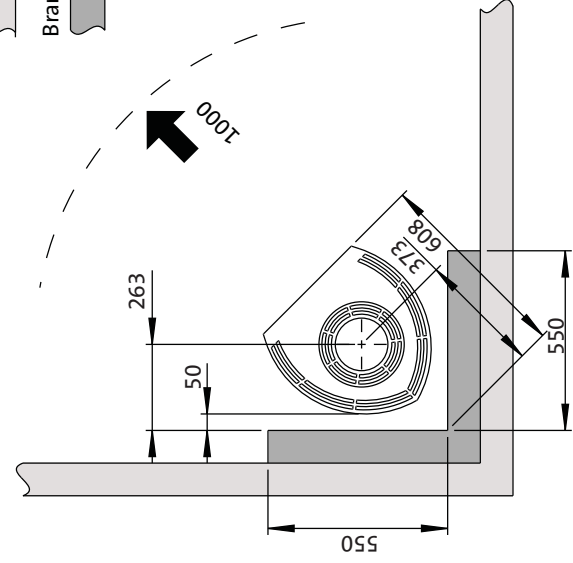
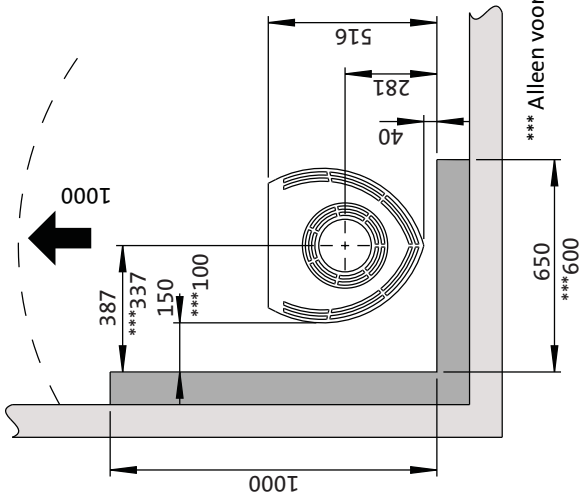
Jøtul F 166 C / Jøtul F 167 C

Afb. 1d

Extern

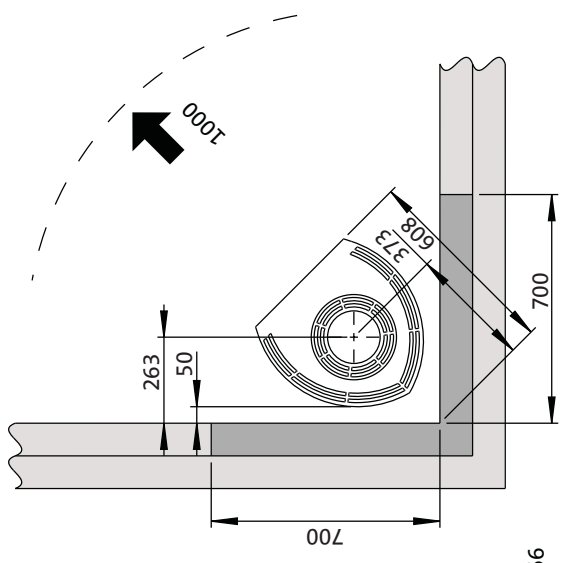
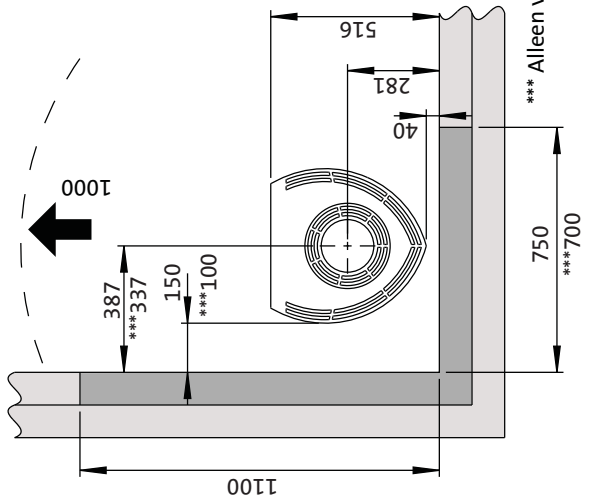
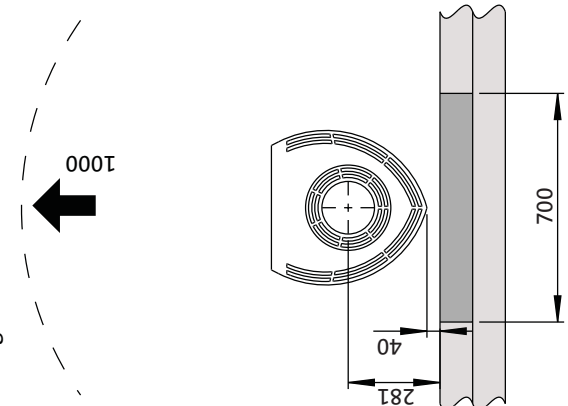


Minimale afstand tot brandbare muur beschermd door brandmuur :



Brandbare muur
Brandmuur

Geïntegreerd



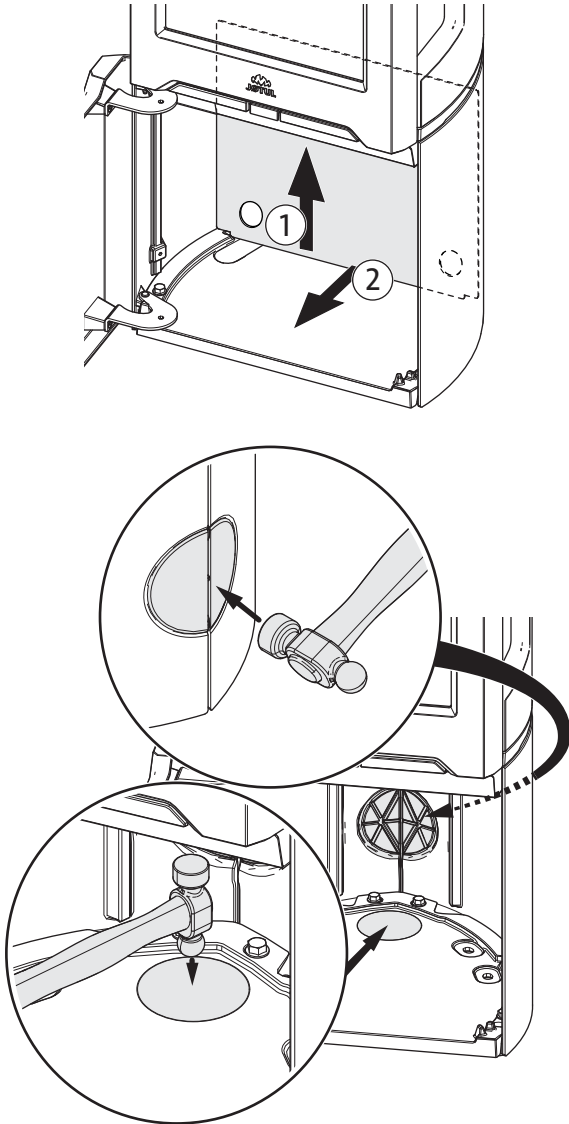
900128-P02

Luchttoevoer

De externe luchtaansluiting kan direct op de Jøtul F 164 / F 165 / F 166 / F 167 worden aangesloten door middel van:

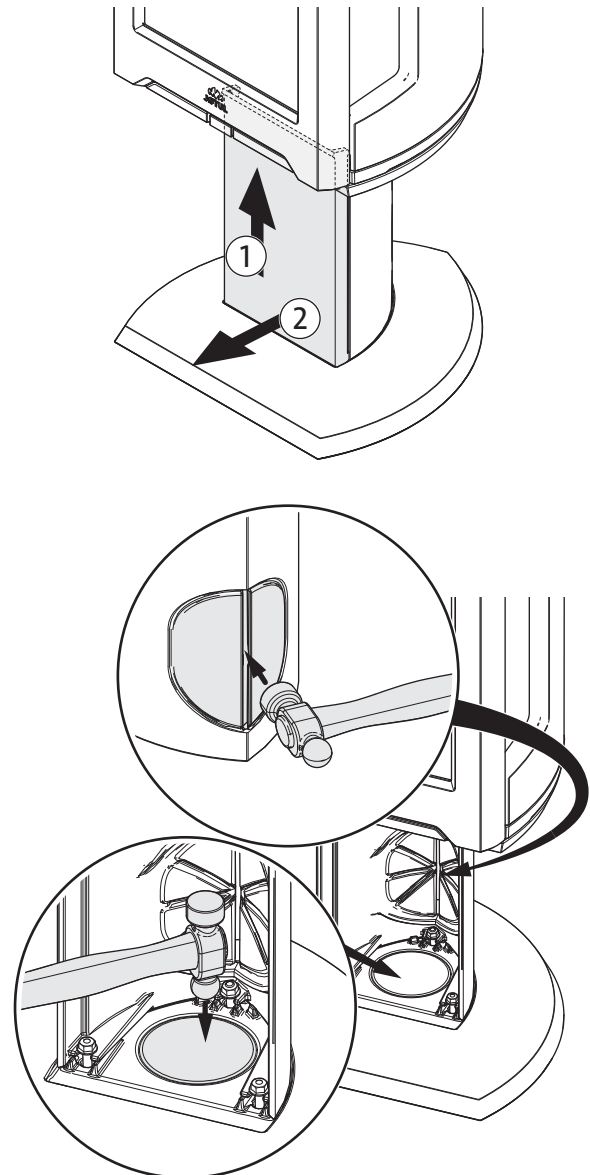
- door een flexibele toevoerslang van buitenaf/schoorsteen (alleen als de schoorsteen een eigen kanaal heeft voor externe lucht) op de externe luchtaansluiting van het product.

Fig. 2a, voor Jøtul F 164 en Jøtul F 165:



1. Gebruik een zware bolhamer en sla hard op het midden van de knockout.

Fig. 2b, voor Jøtul F 166 en Jøtul F 167:



1. Gebruik een zware bolhamer en sla hard op het midden van de knockout.

Fig. 2c, via een buitenmuur

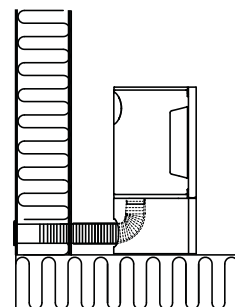


Fig. 2d, via de vloer en grondplaat

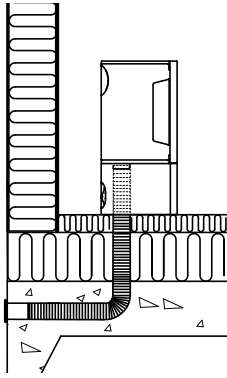


Fig. 2e, via de vloer en kelder

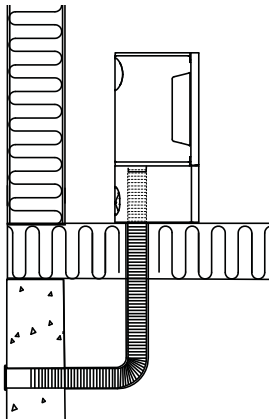
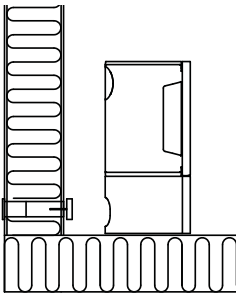


Fig. 2f, indirect via een buitenmuur



3.0 Veiligheid

NB! Om zeker te zijn van optimale prestaties en veiligheid, dienen de kachels van Jøtul altijd te worden geplaatst door een gekwalificeerde installateur.

Aanpassingen aan het product door de distributeur, installateur of consument kunnen ertoe leiden dat het product en de beveiligingen niet naar behoren functioneren. Hetzelfde geldt voor de installatie van niet door Jøtul geleverde accessoires of optionele extra's. Dit kan ook het geval zijn indien essentiële onderdelen voor het functioneren en de veiligheid van de haard gedemonteerd of verwijderd worden.

In al deze gevallen is de fabrikant niet verantwoordelijk of aansprakelijk voor het product en het recht op reclamatie komt hierdoor te vervallen.

3.1 Maatregelen op het gebied van brandpreventie

Elk gebruik van de haard brengt een zeker risico met zich mee. Neem daarom de volgende instructies nauwkeurig in acht:

- De minimale veiligheidsafstanden tijdens het gebruik van de haard zijn weergegeven in **fig. 1a** en **fig. 1b**.
- Zorg ervoor dat er geen meubels of andere brandbare materialen te dicht bij de haard staan. Brandbare materialen mogen nooit binnen 1 meter afstand van de haard geplaatst worden.
- Laat het vuur vanzelf uitgaan. Blus het vuur nooit met water.
- De haard wordt tijdens gebruik warm en kan bij aanraking brandwonden veroorzaken.
- Verwijder de as niet voordat de haard koud is. De as kan smeulende resten bevatten en moet daarom in een onbrandbare bak worden bewaard.
- De as moet naar buiten worden afgevoerd of worden weggegooid op een plek waar geen brandgevaar bestaat.

Bij brand in de schoorsteen

- Sluit alle luiken en ventilatieopeningen.
- Houd de deur van de vlamkast gesloten.
- Controleer of er rook is op zolder en in de kelder.
- Bel de brandweer.
- Voordat u de haard opnieuw in gebruik neemt na een brand, moet een deskundige de haard en de schoorsteen controleren om na te gaan of deze goed werkt.

4.0 Installatie

Let op: controleer voordat u met de installatie begint of de haard onbeschadigd is.

Het product is zwaar! Zorg voor hulp bij het neerzetten en installeren van de haard.

4.1 Vloer

Fundament

Zorg ervoor dat de vloer sterk genoeg is voor de haard. Zie «**2.0 Technische gegevens**» voor gewichten. Aanbevolen wordt om een vloer die niet aan het fundament bevestigd is, een zogenaamde zwevende vloer, bij de installatie te verwijderen.

Brandbare vloerbescherming

Als de haard wordt geplaatst op een brandbare vloer, bedekt u de vloer onder en vóór de haard met een plaat van metaal of ander onbrandbaar materiaal. De aanbevolen minimale dikte is 0,9 mm. **Vloeren van brandbaar materiaal, zoals linoleum, tapijt, enzovoort, moeten onder de vloerplaat worden verwijderd.**

De plaat moet in overeenstemming zijn met nationale wetten en voorschriften.

Neem contact op met de afdeling Bouwtoezicht van uw gemeente voor informatie over beperkingen en installatie-eisen.

4.2 Muren (fig. 1)

Afstand tot muur van brandbaar materiaal

De haard mag worden gebruikt met een niet-geïsoleerde kachelpijp op voorwaarde dat de afstanden tussen de haard en de muren van brandbare materialen overeenkomen met de gegevens uit fig. 1b.

Afstand tot muur met geïsoleerde kachelpijp: Zie *fig. 1b en fig. **1b

Afstand tot muren beschermd door een brandmuur

Neem contact op met de afdeling Bouwtoezicht van uw gemeente voor informatie over beperkingen en installatie-eisen.

Eis brandmuur

De brandmuur moet minimaal 100 mm dik zijn en van baksteen, betonsteen of licht beton zijn gemaakt. Andere materialen en constructies met de juiste documentatie mogen ook worden gebruikt.

Afstand tot niet-brandbare muren

Onder niet-brandbaar wordt verstaan een niet-dragende muur van massief metselwerk/beton.

Neem contact op met de afdeling Bouwtoezicht van uw gemeente voor informatie over beperkingen en installatie-eisen.

4.3 Schoorstenen en kachelpijpen

- De haard kan worden aangesloten op een schoorsteen en kachelpijp die zijn goedgekeurd voor met vaste brandstof gestookte apparaten met rookgastemperaturen zoals gespecificeerd in “2.0 Technische gegevens”.
- De doorsnede van de schoorsteen moet minimaal even groot zijn als de doorsnede van de kachelpijp. Zie «2.0 Technische gegevens» voor het berekenen van de juiste doorsnede van de schoorsteen.
- Als de doorsnede van de schoorsteen groot genoeg is, kunnen er meerdere met vaste brandstof gestookte apparaten op dezelfde schoorsteen worden aangesloten.
- De aansluiting op de schoorsteen moet voldoen aan de installatie-instructies van de leverancier van de schoorsteen.
- Voordat u een opening in de schoorsteen maakt, moet de haard op proef worden gemonteerd om de juiste positie van de haard en het gat in de schoorsteen te kunnen bepalen. Zie fig. 1 voor minimale afmetingen.
- Zorg dat de kachelpijp helemaal tot aan de schoorsteen omhoog loopt.
- Gebruik een kachelpijpbocht met een veegluik, zodat de pijp kan worden geveegd.

Houd er rekening mee dat het erg belangrijk is dat aansluitingen enigszins flexibel zijn om te voorkomen dat bewegingen in de installatie barsten veroorzaken.

Let op: een juiste en luchtdichte aansluiting is van groot belang voor het goed functioneren van het product.

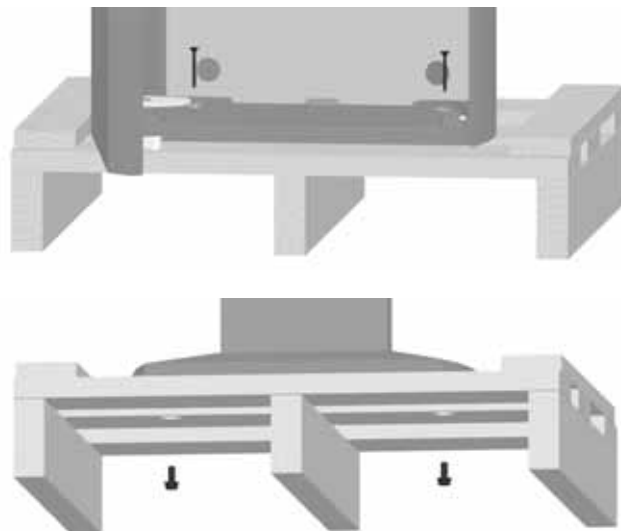
Schoorsteentrek; Zie «2.0 Technische gegevens». Als de trek te sterk is, kunt u een demper installeren en gebruiken om de trek te regelen.

4.4 Vóór installatie

Het product wordt geleverd in één verpakking. Controleer na het uitpakken van de kachel of deze niet beschadigd is en of de bedieningshendels functioneren.

Let op: Het product is bevestigd aan de pallet met 2 schroeven.

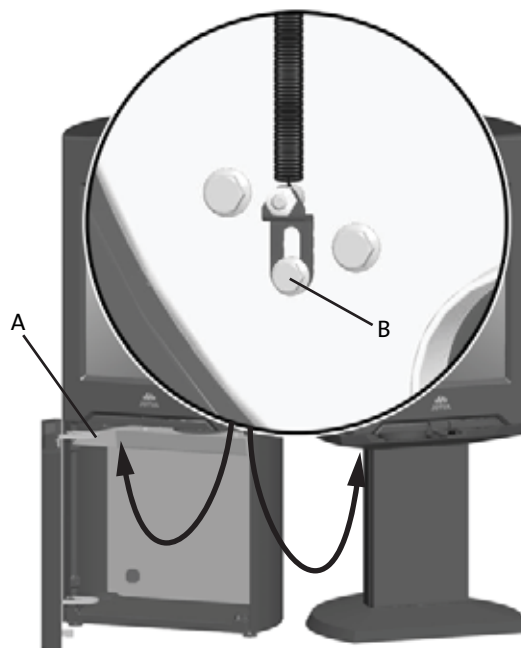
Fig. 3



4.5 Deurmechanisme afstellen

Bij levering is het zelfsluitende deurmechanisme vooraf geïnstalleerd. Indien nodig kan dit worden afgesteld.

Fig. 4



Voor Jøtul F 164 en Jøtul F 165:

1. Verwijder het hitteschild (fig. 4 A).
2. Draai de schroef los (fig. 4 B).
3. Stel de veer af door de beugel te verplaatsen.
4. Haal de schroef aan.
5. Plaats het hitteschild terug.

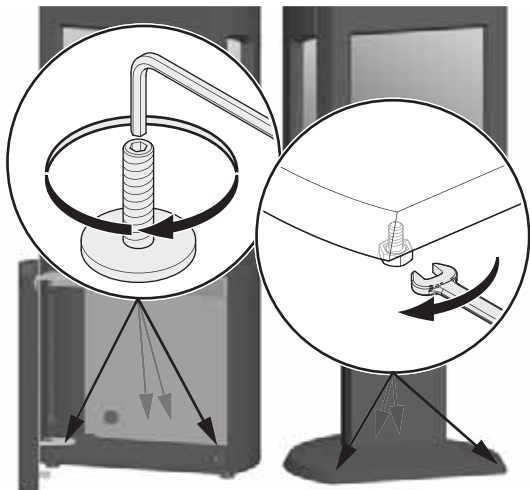
NEDERLANDS

Voor Jøtul F 166 en Jøtul F 167:

1. Draai de schroef los (fig. 4 B).
2. Stel de veer af door de beugel te verplaatsen.
3. Haal de schroef aan.

4.6 Stel de haard waterpas

Fig. 5

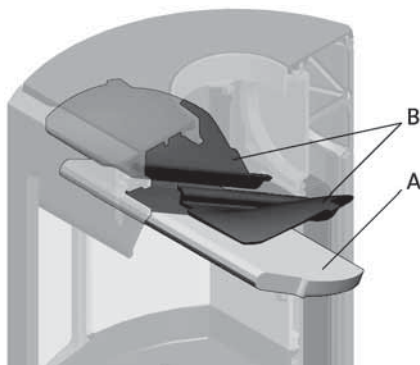


4.7 Aansluiten met een achteraansluiting

Het product is standaard geleverd vanaf de fabriek met een boven aansluiting

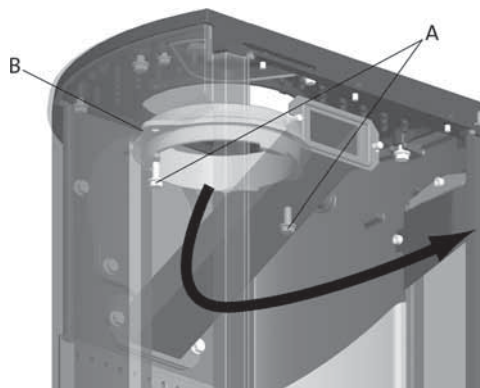
NB! Ga als volgt te werk voor een installatie voor een achteraansluiting

Fig. 6



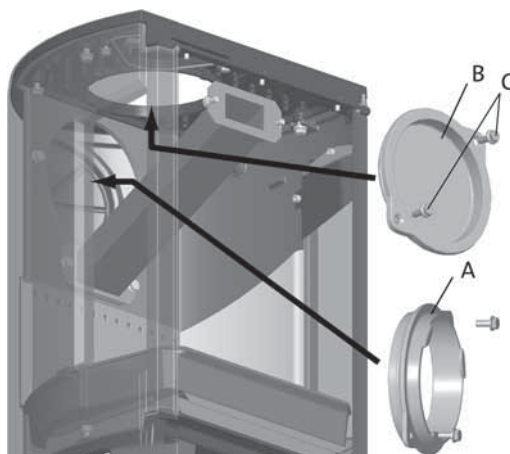
1. Til het schot (fig. 6 A) voorzichtig op.
2. Verwijder een van de branderplaten aan de zijkant door deze iets omhoog en vervolgens naar buiten te bewegen. (Wees voorzichtig met gereedschap. De vermiculietplaten kunnen anders beschadigd raken.)
3. Verwijder het schot.
4. Verwijder de andere branderplaat aan de zijkant.
5. Verwijder de uitlaatplaten (fig. 6 B).

Fig. 7



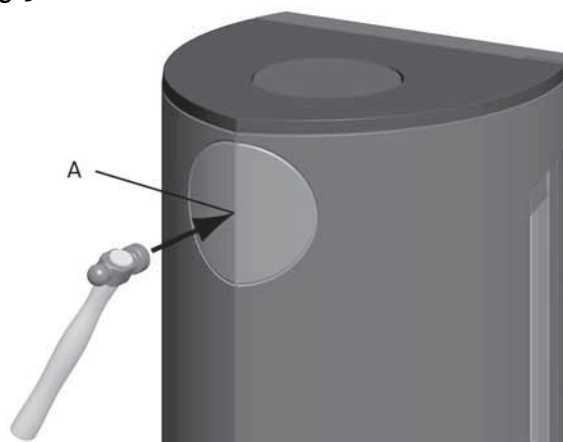
6. Draai de schroeven los (fig 7 A) en verwijder de rookgasaansluiting (fig 7 B) van de bovenaansluiting aan de binnenzijde van de verbrandingskamer

Fig. 8



7. Draai de schroeven los (fig. 8 C) en verwijder de afdekplaat (fig. 8 B) van de achteraansluiting aan de binnenzijde van de verbrandingskamer.

Fig. 9



8. Verwijder de verwijderbare platen (fig. 9 A).
9. Sluit de rookgasaansluiting (fig. 8 A) aan de binnenzijde van de verbrandingskamer waar de afdekplaat was.
10. Plaats de afdekplaat (fig. 8 B) waar de rookgasaansluiting was.
11. Plaats de rookgasomleidingsplaten (fig. 6 B) en de vlamkeerplaat terug (fig. 6 A).

4.8 Controle van de bedieningselementen

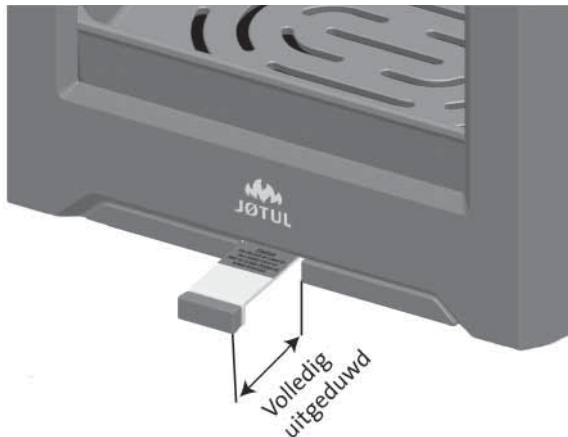
Controleer na de plaatsing van het product altijd de bedieningselementen. Deze moeten gemakkelijk beweegbaar zijn en naar behoren functioneren.

De Jøtul F 164, F 165, F 166 en F 167 zijn voorzien van de volgende bedieningselementen:

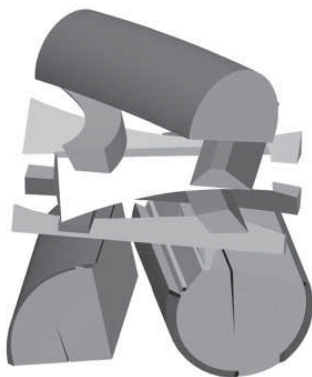
Ontstekingsopening/ventilatieopening

Ontsteking

Fig. 10



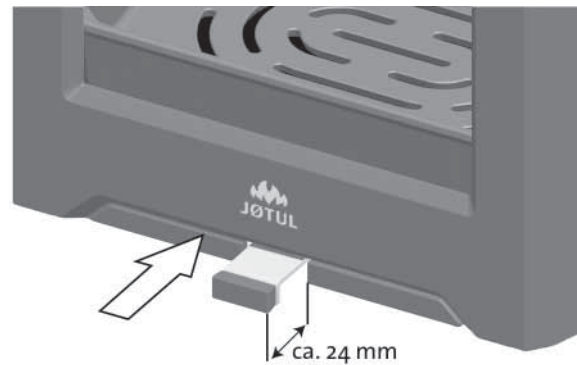
- Open de luchtopening en de ontstekingsopening door de hendels volledig uit te trekken. (Gebruik een handschoen of iets dergelijks om uw hand te beschermen als de hendels warm zijn.)



- Plaats twee blokken op de bodem van de verbrandingskamer en stapel het aanmaakhout hier in lagen op.
- Plaats tenslotte een middelgroot blok op deze stapel.
- Plaats 2 of 3 briketten of aanmaakblokken onder de bovenste laag aanmaakhout en steek het vuur aan.

Verwarming

Fig. 11



- Schuif de ontstekings-/ventilatieopening (fig. 11) zo'n 24 mm uit als het hout goed brandt.
- Sluit de deur.
- Daarna kunt u de verbranding reguleren en met behulp van de luchtopening voor meer of minder warmte zorgen.
- Controleer of de naverbranding (secundaire verbranding) goed op gang komt. Dat is het geval als er gele, flikkerende vlammen voor de gaten onder het schot op gang komen.
- Als de luchtstroom normaal is, kunt u de deur sluiten en zal het vuur automatisch branden.

Houtblokken toevoegen

Stook de kachel regelmatig op, maar gebruik alleen kleine hoeveelheden brandstof tegelijk. Als de kachel te vol is, kan de hitte voor extreme druk in de schoorsteen zorgen. Voeg altijd met mate brandstof bij. Vermijd smeulend vuur omdat dit het meest vervuילend is. Het vuur is het beste als het goed brandt en de rook uit de schoorsteen nauwelijks zichtbaar is.

4.9 Gevaar van oververhitting

De haard mag nooit zo gebruikt worden dat er oververhitting ontstaat.

Oververhitting treedt op als de haard te veel brandstof bevat en/of de luchtopening te ver openstaat zodat er te veel hitte wordt ontwikkeld. Een duidelijk teken van oververhitting is dat er onderdelen van de haard rood gloeien. Als dat gebeurt, moet u de luchtopening direct verkleinen.

Vraag om professioneel advies als u vermoedt dat er geen goede trek in de schoorsteen zit (te veel of te weinig trek). Voor meer informatie, zie «4.0 Installatie» (Schoorsteen en kachelpijp).

5.0 Dagelijks gebruik

Geur bij eerste gebruik van de haard

Als de haard voor de eerste keer wordt gebruikt, kan irriterend gas vrijkomen dat onaangenaam kan ruiken. Dit gebeurt omdat de verf opdroogt. Het gas is niet giftig, maar toch is het beter om de ruimte goed te ventileren. Stook het vuur flink op totdat alle sporen van gas zijn verdwenen en geen rook of geuren meer zijn waar te nemen.

5.1 Bediening

Brandadvies

NB: Blokken hout die buiten of in een koude ruimte zijn opgeslagen moeten 24 uur voor gebruik naar binnen worden gehaald zodat ze op kamertemperatuur kunnen komen. Er zijn verschillende manieren waarop in de kachel gestookt kan worden, maar het is belangrijk dat u altijd voorzichtig bent met het materiaal dat u in de kachel stopt. Zie het hoofdstuk "Houtkwaliteit".

Houtkwaliteit

Met kwaliteitshout bedoelen we de meest bekende soorten hout zoals berk, spar en den.

De blokken moeten goed worden gedroogd zodat er niet meer dan 20% vocht in zit.

Om dit te bereiken moet het hout aan het einde van de winter worden gehakt. De blokken moeten worden gekloofd en dusdanig worden gestapeld dat er voldoende ventilatie is. De houtstapel moet worden afgedekt om de blokken tegen regen te beschermen. De blokken moeten begin herfst naar binnen worden gehaald en worden gestapeld/opgeslagen voor gebruik in de komende winter.

Let er goed op dat u de volgende materialen nooit als brandstof voor uw haard gebruikt:

- Huishoudelijk afval, plastic tassen, enz.
- Geverfd of geïmpregneerd hout (dat is uiterst giftig).
- Gelamineerde houten planken.
- Drijf hout

Deze kunnen schade toebrengen aan het product en zijn ook vervuilend.

NB: Gebruik nooit benzine, paraffine, methylalcohol of dergelijke vloeistoffen om het vuur aan te steken. Dit kan leiden tot ernstig persoonlijk letsel en schade aan het product.

Houtverbruik

Houtverbruik met nominale warmteafgifte: ca. **1,6 kg/u**. Een andere belangrijke factor voor het juiste brandstofverbruik is dat de blokken van het juiste formaat zijn. De blokken moeten het volgende formaat hebben:

Aanmaakhout:

Lengte: 23 - 33 cm

Diameter: 2 - 5 cm

Hoeveelheid per vuur: 6 - 8 stuks

Dagelijks gebruik:

Brandhout (gehakte blokken):

Lengte: 23 - 33 cm

Diameter: Ongeveer 8 cm

Intervallen voor het aanvullen

van het hout: ongeveer iedere 45 minuten

Grootte van het vuur: 1,2 kg

Hoeveelheid per lading: 2 stuks

De nominale warmteafgifte wordt bereikt wanneer de ventilatieopening ongeveer 57 % is geopend.

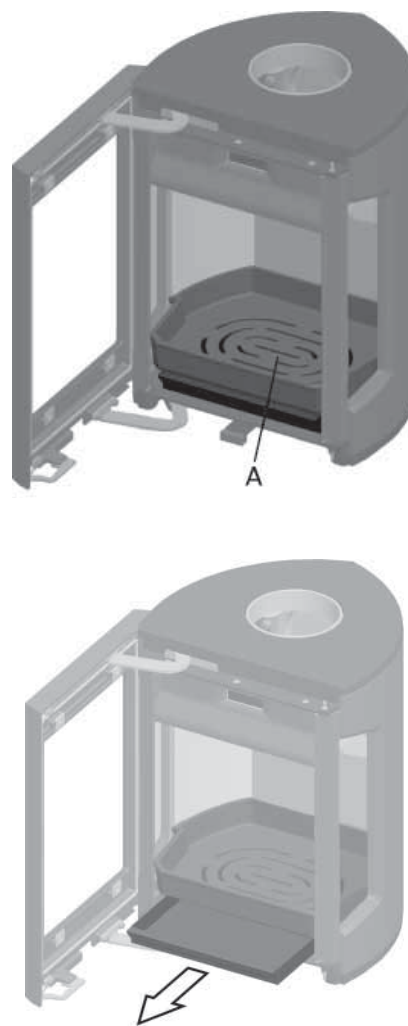
Maximum gebruik:

Max. lading hout: 2,9 kg/h, max. 3 stuks, 2,2 kg per vulling

5.2 De as verwijderen

De Jøtul F 164 / F 165 / F 162 C / F 167 beschikken over een aslade waarmee de as eenvoudig verwijderd kan worden.

Fig. 12



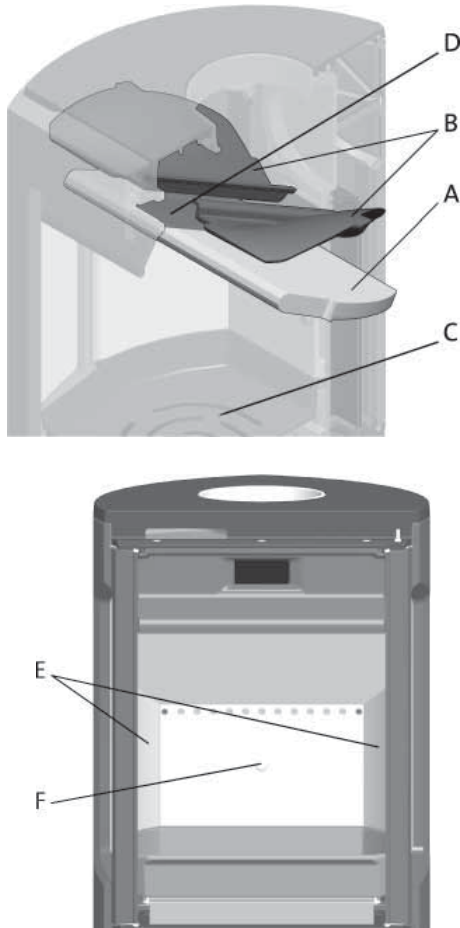
1. Schraap de as door het rooster (fig. 12 A) op de basisplaat en in de aslade. Gebruik een handschoen als u de hendel van de aslade vastpakt.
2. Zorg ervoor dat de aslade niet zo vol raakt dat er geen as meer door het rooster de lade in kan.

6.0 Groot onderhoud

Waarschuwing! Het is niet toegestaan dit product zonder toestemming te wijzigen.
Gebruik alleen originele reserveonderdelen.

6.1 Brandplaten/binnenste bodemplaat vervangen

Fig. 13



1. Til het schot (**fig. 13 A**) voorzichtig op.
2. Verwijder een van de branderplaten aan de zijkant door deze iets omhoog en vervolgens naar buiten te bewegen. (Wees voorzichtig met gereedschap. De vermiculietplaten kunnen anders beschadigd raken.)
3. Verwijder het schot.
4. Verwijder de andere branderplaat aan de zijkant.
5. Draai de M8x25 mm schroef op de achterste brandplaat los (**fig. 13 F**) en verwijder de brandplaat.
6. Vervolgens brengt u de binnenste bodemplaat (**fig. 13 C**) omhoog en verwijdert u deze.

Volg dezelfde procedure als voor de installatie, maar dan in omgekeerde volgorde.

6.2 Schot/uitlaatplaten vervangen

- Volg stap 1-3 onder **fig. 13**.
- U kunt dan makkelijk bij de rookplaten (**fig. 13 B**) als deze verwijderd moeten worden. Deze zitten op een knop op de zijkant en op het luchtverdeelstuk (**fig. 13 D**).
- Kantel hem omlaag en verwijder hem via de deur.

Voor het terugplaatsen volgt u dezelfde procedure, maar dan in omgekeerde volgorde.

7.0 Onderhoud

7.1 Schoonmaken en verwijderen van roet

Tijdens gebruik kan zich roet afzetten op de binnenwanden van de haard. Roet werkt isolerend en kan daardoor de warmteafgifte van de haard verminderen. Als er zich te veel roet ophoopt, kunt u dit met een roetverwijderaar eenvoudig verwijderen.

Als u wilt voorkomen dat zich roet of een teerlaag ophoopt in de haard, moet u regelmatig flink stoken om de gevormde laag te verwijderen. Een jaarlijkse schoonmaakbeurt van de binnenkant is nodig voor een optimale warmteafgifte van uw product. Het is verstandig dit gelijktijdig te doen met het schoonmaken van de schoorsteen en de kachelpijp.

7.2 Kachelpijpen vegen tot aan de schoorsteen

Kachelpijpen moeten worden geveegd via een veegluik voor de kachelpijp of via de deuropening.

Eerst moet een van de schotten worden verwijderd om dit te kunnen doen.

7.3 Inspectie van de haard

Jøtul raadt u aan om na het reinigen/vegen zelf een grondige inspectie van de haard uit te voeren. Controleer alle zichtbare oppervlakken op scheuren. Controleer ook of alle verbindingstukken goed zijn afgesloten en of de pakkingen zich in de juiste positie bevinden. Een pakking die tekenen van slijtage of vervorming vertoont, moet worden vervangen.

Maak de groeven van de pakking grondig schoon, breng keramische lijm aan (verkrijgbaar bij uw lokale Jøtul-dealer) en druk de pakking stevig aan. De lijm heeft een korte droogtijd.

7.4 De buitenkant onderhouden

Bij gelakte producten kan er na een paar jaar verkleuring optreden. Voordat u een nieuwe laag verf aanbrengt, moet u het oppervlak reinigen en alle losse deeltjes wegvegen.

8.0 Optionele accessoires

8.1 Haardset

Voor Jøtul F 164 / Jøtul F 165
Art. nr. 50036912

8.2 Spekstenen - complete

(Niet voor Jøtul F 166 / Jøtul F 167)
Art. nr. 51044401

8.3 Spekstenen bovenkant - 50 mm

Art. nr. 51012327

9.0 Garantie

Jøtul AS biedt haar klanten een garantie van tien jaar inclusief het recht op teruggaaf van externe gietijzeren items ingeval deze defecten vertonen als gevolg van verkeerde materialen en/of fabricage na de initiële aankoop/installatie van de kachel. De koper behoudt het recht goederen terug te geven onder voorwaarde dat de kachel is geïnstalleerd in overeenstemming met huidige wet- en regelgeving en in overeenstemming met de installatie- en bedieningsinstructies van Jøtul.

De garantie dekt niet:

De installatie van optionele extra's, bijv. om de trek in de schoorsteen ter plekke, of de luchttoevoer of andere omstandigheden buiten de invloedssfeer van Jøtul te corrigeren. De garantie dekt geen verbruiksgoederen zoals brandplaten, rookschotten, vuurroosters, bodemroosters, hittebestendig materiaal, dempers en pakkingen, aangezien deze in de loop der tijd achteruitgaan als gevolg van normale slijtage. De garantie dekt geen schade als gevolg van het gebruik van niet-geschikte brandstof bij het ontsteken van het vuur, zoals bijvoorbeeld drijfhout, geïmpregneerd of geverfd hout, plankdelen, chipplaten, enz. Oververhitting kan eenvoudig optreden ingeval van gebruik van niet-geschikte brandstof, d.w.z. dat de kachel gloeiend rood wordt, met als gevolg dat de verf verkleurt en de gietijzeren delen scheuren.

De garantie is niet geldig ingeval van schade tijdens het vervoer van de distributeur naar het afleveradres. De garantie is eveneens niet geldig ingeval van schade als gevolg van het gebruik van niet-originele onderdelen.

Sluttkontroll av ildsteder

Quality control of stoves and fireplaces

Checked

Utført	Kontrollpunkt	Controlled item
✓	Alle deler er med i produktet (ifølge struktur).	All parts are included.
✓	Alle festemidler er av korrekt type, og er korrekt anvendt.	Correct fastener items have been used and correctly applied.
✓	Overflater er i samsvar med Jøtuls kvalitetsstandarder.	Surfaces comply with Jøtul workmanship standards.
✓	Lukkemekanismer fungerer som de skal, og uten behov for unødig stor kraft.	Door locking mechanisms function correctly; excessive force is not needed.
✓	Produktet/serien møter kravet for lekkasjetest.	The product/lot complies with the leakage test requirement.
✓	Lakkerte/emaljerte overflater møter kravene i Jøtuls kvalitetsstandarder.	Paint/enamel surface finish complies with Jøtul workmanship standards.
✓	Produktet er fritt for utvendig kitt- eller limklin.	Surfaces are not contaminated by external stove cement or glue.
✓	Produktet har ingen sprekker i glass, støpejern eller andre deler.	There are no cracks in glass, cast iron or other parts.
✓	Pakninger er riktig lagt, og skjemmer ikke produktet ved stygge ender eller ved at pakningen er unødig synlig.	Gaskets are correctly applied and do not degrade product appearance (i.e. loose ends or excessive visible exposure).
✓	Dørpakninger er godt limt.	Door gaskets are firmly glued/fixed to the door.
✓	Dørpakninger har tilfredsstillende pakningstrykk.	Door gaskets provide satisfactory sealing.
✓	Sjekk at det ikke "lyser gjennom" i dørpakning eller andre sammenføyninger.	Check for "light through" at door seals and other relevant locations.
✓	Trekkhender osv fungerer normalt.	The function of air valve handle etc is normal.

Jøtul bekrefter herved at dette produktet er kontrollert og funnet å være i samsvar med våre kvalitetsnormer.	Jøtul hereby confirm that this product has been QC inspected and found to comply with our quality standards.
Lot. No. / Serie nr. - Checked by / kontrollert av	

Cat.no: 10044994-P00
Jøtul AS, Jan. 2013

Jøtul arbeider kontinuerlig for om mulig å forbedre sine produkter, og vi forbeholder oss rett til å endre spesifikasjoner, farger og utstyr uten nærmere kunngjøring.

Jøtul bemüht sich ständig um die Verbesserung seiner Produkte, deshalb können Spezifikationen, Farben und Zubehör von den Abbildungen und den Beschreibungen in der Broschüre abweichen.

Jøtul pursues a policy of constant product development. Products supplied may therefore differ in specification, colour and type of accessories from those illustrated and described in the manual.

Jøtul vise sans cesse à améliorer ses produits. C'est pourquoi, il se réserve le droit de modifier les spécifications, couleurs et équipements sans avis préalable.

Kvalitet

Jøtul AS arbeider etter et kvalitetssikringssystem basert på NS-EN ISO 9001 for utvikling, produksjon og salg av ildsteder. Vår kvalitetspolitikk skal gi kundene den trygghet og kvalitetsopplevelse som Jøtul har stått for siden bedriftens historie startet i 1853.

Qualität

Jøtul AS hat ein Qualitätssicherungssystem, das sich bei Entwicklung, Produktion und Verkauf von Öfen und Kaminen nach NS-EN ISO 9001 richtet. Diese Qualitätspolitik vermittelt unseren Kunden ein Gefühl von Sicherheit und Qualität, für das Jøtul mit seiner langjährigen Erfahrung seit der Firmengründung im Jahre 1853 steht.

Quality

Jøtul AS has a quality system that conforms to NS-EN ISO 9001 for product development, manufacturing, and distribution of stoves and fireplaces. This policy gives our customers quality and safety piece of mind as a result of Jøtul's vast experience dating back to when the company first started in 1853.

Qualité

Le système de contrôle de la qualité de Jøtul AS est conforme à la norme NS-EN ISO 9001 relative à la conception, à la fabrication et à la distribution de poêles, foyers et inserts. Cette politique nous permet d'offrir à nos clients une qualité et une sécurité reposant sur la vaste expérience accumulée par Jøtul depuis sa création en 1853.



Jøtul AS,
P.o. box 1411
N-1602 Fredrikstad,
Norway
www.jotul.com