

User instructions for Lotus wood-burning stoves

Version 3. 16.05.2022



Contents

Introduction	4
1 Stove installation.....	4
1.1 Floor loading	4
1.1.2 Floor conditions.....	5
1.2 Safety clearances to combustible materials	6
1.3 Safety information	7
1.3.1 Installation instructions	7
1.3.2 Smoke Control Exemption	7
1.3.3 Disposal of packaging	7
1.3.4 Disposal of stove parts.....	7
1.4 Combustion air supply	8
1.5 Chimney dimensioning.....	8
2 Lotus stoves are suitable for intermittent burning	9
3 Technical data	9
4 Safety clearances	9
5 The appliance must not be modified!.....	9
6 Fuel	9
6.1 Lighting the stove for the first time.....	9
6.2 Fuel	9
6.2.1 Kindling	9
6.2.2 Wood	9
6.2.3 Wood storage	10
7 Stove operation	10
7.1 Lighting and refuelling	10
7.2 Ash.....	11
8 Useful tips	11
8.1 Stove cleaning.....	11
8.2 Maintaining the stove	11
8.3 Firebox linings	12
8.4 Glass panel	12
8.5 Stock/Spare parts	12
9 Natural stone.....	12
10 Troubleshooting	13
11 What the stove includes	14
12 Technical data	15
2000 Series Technical data.....	15
Product Fiche	15
Allure Series Technical Data	17
Beto 470 Technical data	19
Beto 470W Technical data.....	21
Beto 700 Technical data.....	23
Jubilee 10-20 Technical Data.....	25
Product Fiche	25
Jubilee 25 Series Technical Data	27

Jubilee 35 Series Technical	29
Liva Series Technical Data	32
Living Technical Data	34
Lars U. Borch, Lotus Heating Systems A/S	35
Maestro 1-2 Technical Data	36
Maestro Series Technical Data	37
Maestro 2-152 EN 15250 Technical Data	38
Mira Series Technical Data.	40
Mondo 3 Series Technical Data	42
Mondo 30-3G Series Technical Data	43
M Series Technical Data	45
Prestige Series Technical Data	47
Prio Series Technical Data	49
Style 370 Technical Data	51
Style 470W Technical Data	54
QM 40 Technical data	57
Visto Series Technical Data	59
00,	61
0	61
WARRANTY	61

Introduction

Dear Lotus Customer, we thank you for choosing a quality product from Lotus.

To ensure that your stove gives you years of good service, please read these general user instructions fully and carefully. These instructions contain important information and useful tips.

As one of the market-leading suppliers in Europe, Lotus has been developing stoves since 1979 and places the highest demands on its products. Our stoves are characterised by the latest combustion technology, high quality materials and production as well as an attractive design.

1 Stove installation

The stove must be connected in compliance with the applicable national and European standards as well as local regulations!

To ensure that the stove is connected in compliance with the applicable regulations, it is recommended to consult a registered installer prior to installation. The registered installer will inform you about the locally applicable regulations and issue the necessary permit for operation of the stove following correct installation. Please note that for operation of a stove in Germany, the appropriate authorities must be notified!

Other regulations may apply outside Europe and the EU.

**Building regulations and fire protection according to EN 13240
The installation standard BS 8303:2018 – DIN 18896 applies to
thermally insulated combustible walls and must be taken into account**

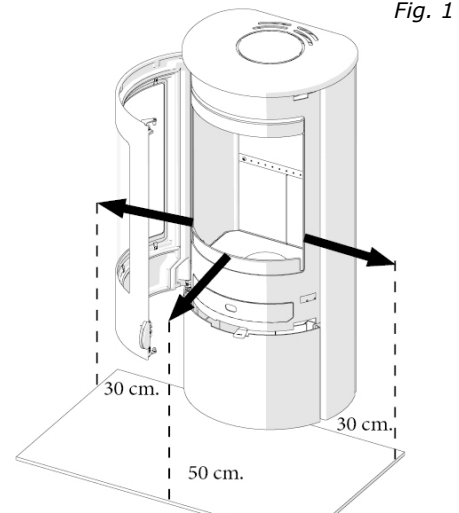
1.1 Floor loading

Note that the weight of the stove must not exceed the maximum permissible floor loading capacity. The use of a non-combustible floor plate will distribute the weight of the stove over a larger area.

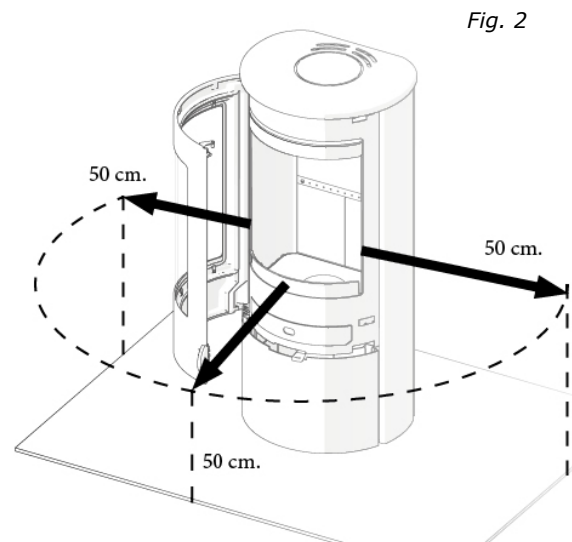
1.1.2 Floor conditions

Prior to installation, consult a registered installer or chimney sweep. Note the clearances specified on the following page, which also apply to rotatable stoves. Note when the stove door is open, there is a risk of sparks flying over the specified floor plate area.

At the front of the firebox opening or stove door *Fig. 1*, the floor plate must always protrude at least 50 cm*). On the side of the firebox opening, the floor plate must protrude at least 30 cm**).



Note that with a rotatable stove *Fig. 2*, the firebox opening can be in different positions. In this case, the floor plate must protrude at least 50 cm*) within the entire rotating area.



*) For Switzerland 40cm applies

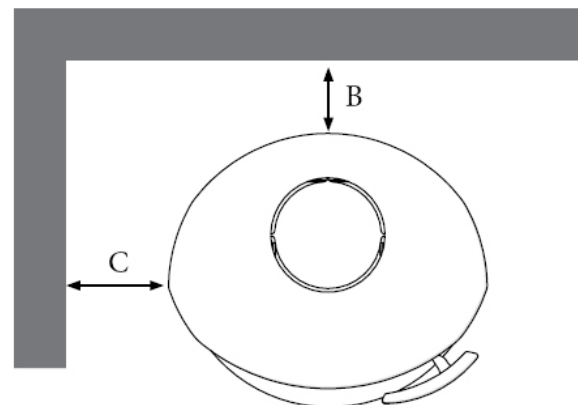
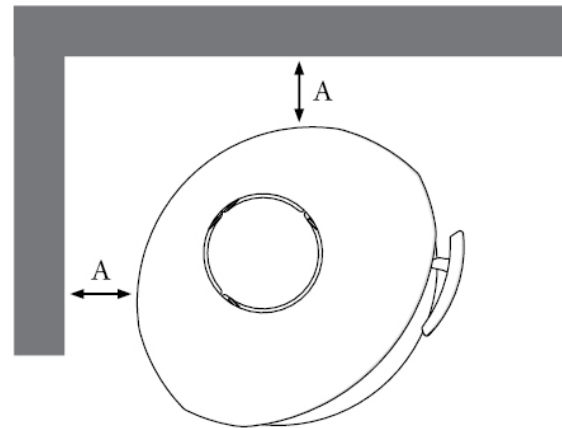
***) For Switzerland 10cm applies

1.2 Safety clearances to combustible materials

Safety clearances of non-rotatable models with a front glass panel.

No combustible and/or heat-sensitive materials must be present in front of and next to the stove in the area of the hot glass panel. The exact clearances are shown on the rating plate. The clearances to combustible and heat-sensitive materials and furniture can be halved with ventilated radiant heat protection on both sides. For Lotus stoves, clearance to the rear is up to 30 cm depending on the type of stove. See the stove rating plate and/or technical data sheet.

The lateral safety clearance to combustible materials and/or heat-sensitive materials varies depending on the stove model. See the stove rating plate and/or technical data sheet.



1.3 Safety information

Parts of the stove, particularly the outer surfaces, door, handles, glass panel and flue pipe become hot during operation! Caution is advised! Appropriate precautions must be taken (gloves are included in the scope of supply).

1.3.1 Installation instructions

The stove is assembled ready for connection and must be connected to the existing chimney using a connecting piece. The connecting piece should be short, straight, horizontal or slightly ascending if possible. Connections must be sealed. Lotus stoves can be connected either from above or from the rear.

Building and fire regulations must be observed. Contact a registered installer for advice in advance.

1.3.2 Smoke Control Exemption

(Only applicable in UK)

Some of these appliances have been independently tested and have been exempt from the controls that generally apply in smoke controls areas hence are considered suitable for use in Smoke Controls Area when burning wood and **only** when fitted with relevant Smoke control kit.

1.3.3 Disposal of packaging

Wood packaging: Send for recycling.

Stretch/plastic film: Dispose as waste or recycling.

Plastic bags: Dispose as waste or recycling.

1.3.4 Disposal of stove parts

Steel/cast iron: Send for recycling.

Combustion chamber isolation: Dispose as waste.

Gaskets: Dispose as waste.

Glass: Dispose as ceramic waste.

1.4 Combustion air supply

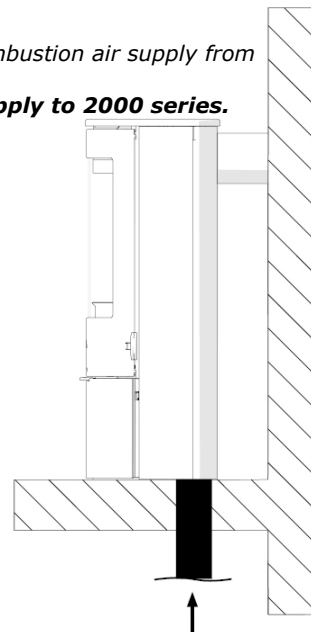
Before operating the stove, an adequate supply of air for combustion must be ensured and the room must be well ventilated.

Contact a registered installer in advance to calculate the air required for the place of installation of the stove and the amount of air required.

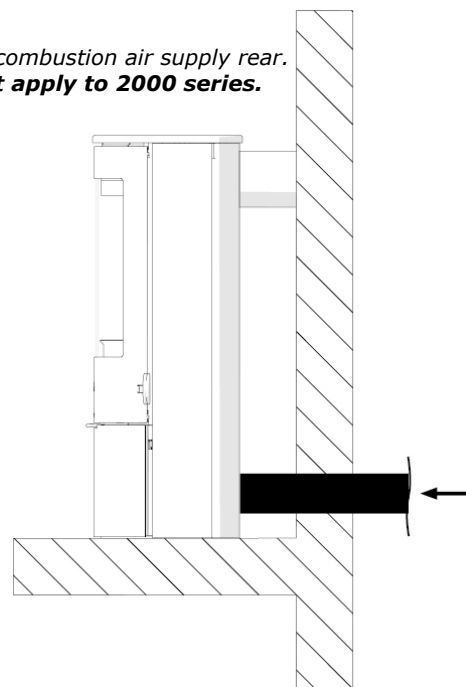
Stoves are usually operated as non-room sealed heating appliances which draw combustion air from the room where the appliance is fitted. For this reason, it must be ensured that the room is well ventilated and the required air for combustion calculated.

Tight-closing windows and doors can limit the supply of combustion air with adverse effects on the flue draught. This can be detrimental to health and possibly compromise safety. Air consumers such as extractor fans or fans installed together with heating appliances in the same room or room air connection can adversely effect the function of the stove. These must not be operated at the same time as the stove. An air balance must be established to ensure that the stove functions perfectly.

Option 1.
External combustion air supply from below.
Does not apply to 2000 series.



Option 2.
External combustion air supply rear.
Does not apply to 2000 series.



1.5 Chimney dimensioning

Chimney dimensioning takes place in accordance with EN 13384-1 and 2 or the country-specific regulations.

The chimney must have the temperature class T400 and an effective height of minimum 4.5 m.

The chimney cross-section must be adapted to the stove.

2 Lotus stoves are suitable for intermittent burning

Multiple flue connection is possible. Consult your registered installer.

3 Technical data

Please see our technical data for Lotus stoves at the back of our user instructions.

4 Safety clearances

Please see our technical data for Lotus stoves at the back of our user instructions.

5 The appliance must not be modified!

Fire protection outside area of radiated heat

The minimum clearances to combustible materials and furniture shown on the rating plate must not be exceeded.

In cases where no safety clearances need to be observed, we recommend 70 to 100 mm to allow the heat radiated by the stove to distribute freely and enable easy cleaning behind the stove.

6 Fuel

Only use the following type of fuel in your Lotus stove:

Natural, air-dried firewood with a moisture content below 20% (optimal value 15 - 17% moisture).

6.1 Lighting the stove for the first time

Lighting the stove for the first time dries out the Senotherm coating which causes a slight odour however this will disappear after a while. Do not touch the stove after lighting to avoid damage and discolouration of the surface.

6.2 Fuel

6.2.1 Kindling

Use small logs (e.g. firewood about 2 x 2 cm with a length of about 25 cm) as kindling.

6.2.2 Wood

Different types of wood are suitable for use as fuel, e.g. beech, birch, ash or fruitwoods. Impregnated wood, chipboard, coloured leaflets or glazed paper are not suitable for use in a Lotus stove. These give rise to the formation of acid or heavy metal which causes the metal surfaces in the stove to rust. This results in incomplete combustion which is harmful to the environment.

Split logs for Lotus stoves should be about 30 cm long with a diameter of 7-9 cm. Extremely important for efficient burning is the maximum moisture content of 15-20%. Using wood that is too moist will greatly reduce the performance of the stove because a large amount of the energy is used for evaporation of the released water. The water vapour substantially reduces the temperature in the stove, which can give rise to condensation in the flue pipes. The condensation causes pitting corrosion in the flue pipe and this can also

result in dripping water and peaty soot. If the wood is too dry, it will burn too quickly in relation to the supplied amount of air.

6.2.3 Wood storage

Wood should be stored in large quantities. The amount of wood to be stored should be sufficient for about one to two years. Wood should be stored as split logs in the correct size under cover with plenty of air movement for at least 1.5 years prior to use (depending on the type of wood).

7 Stove operation

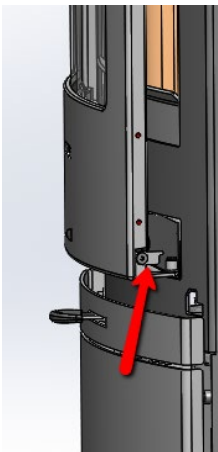
7.1 Lighting and refuelling

Fully open the air vent below the door.

Place two small logs on the fire bed, subsequently place two firelighters on these logs. Stack dry, finely split wood on the bottom logs in the centre of the firebox and build up like a log house.

Under supervision, leave the door slightly open about 1-2 cm.

Use the small lever on the right side of the door to keep the door slightly open after lighting the fire. This applies to the Allure (used as needed), Jubilee 15, Jubilee 25, Liva, Maestro, Mondo 30-3G, Prestige Basic, M, MST, Prestige Magic 40 und QM 40.



(Minimum 10 minutes). This ensures that the fire has sufficient combustion air after lighting. Once the fire is burning and the glass panel is sufficiently warm, the door can be closed.

When the fire has burned to embers (no flames), carefully open the door so as not to disturb the ash, spread the embers evenly.

Place a piece of wood (the amount can be found in the technical data in kg, do not exceed the specified amount) in the centre of the firebox (parallel with the front side) and subsequently close the door.

Wait about 4 minutes until the wood is properly alight and move the air vent to the centre position. The amount the air vent needs to be moved to the left

depends on the flue draught. A "strong" flame should always be visible in the stove.

When the fire has burned to embers again (no flames), start again as previously described.

7.2 Ash

Ash should always be present in the firebox. A fire burns best on a bed of ash. Embers collect more quickly through the ash and glow longer. Lotus recommends removing the ash at the earliest after using the stove 10 times. The ash can be disposed of in a dustbin. Always ensure that there are no embers in the ash.

8 Useful tips

8.1 Stove cleaning

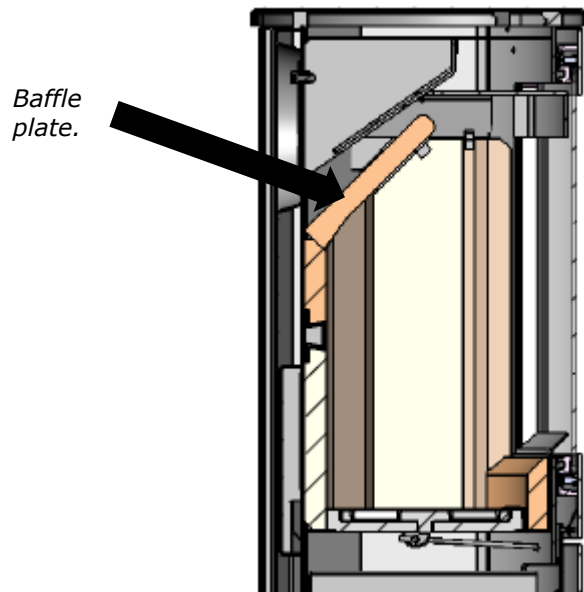
All Lotus stoves are provided with a heat-resistant coating at the factory. When used for the first time, a slight odour can occur due to the coating. Ensure that the room is well ventilated.

8.2 Maintaining the stove

Seals on doors and glass panels are subject to wear especially due to the heat. Lotus recommends that seals be checked regularly and replaced 1x annually, if necessary by your dealer. (Seals are wearing parts and are not covered by the warranty).

8.3 Firebox linings

Firebox may crack during use. Cracks in the firebox lining will not impair the function of the stove. The firebox lining should be replaced if it is burnt through or starts to crumble. (Firebox linings are consumable parts and are not covered by the warranty).



8.4 Glass panel

The glass panel is highly heat resistant. Bubbles in the glass are due to production and are not a quality defect.

(The glass panel is not covered by the warranty).

Disposal of glass must not be disposed with normal glass waste. (To be disposed as ceramic).

8.5 Stock/Spare parts

Stock/spare parts, in particular moving parts, are liable to wear with frequent use. Only original spare parts must be used. At the end of a heating period, it is recommended to have the stove serviced by your Lotus dealer. It is recommended that you buy your spare parts at your Lotus dealer.

9 Natural stone

Natural stone is perfect for storing heat. We recommend cleaning with a moist cloth and soapy water. Do not use any cleaning products containing acid. Minor scratches or fingerprints can be removed from natural stone with a Scotch pad. Natural stone is characterised by different types of veining on the surface and this is what makes them unique. Indian Night may have minor surface cracks, however these are only on the surface and do not penetrate further into the stone and give the stone its unique character.

The veining pattern cannot be influenced. For this reason, the appearance of natural stone cannot be guaranteed. Do not place cold containers on hot natural stone surfaces. The difference in temperature leads to stresses, which can cause the material to crack.

Treat all moving parts (hinges and locking mechanism) with a heat-resistant lubricant at least once a year. This will extend the life and ensure smooth movement of the moving parts.

10 Troubleshooting

If you are having problems with your Lotus stove, see the troubleshooting guide below.

The stove is difficult to control - burns too quickly

If the stove is new, check to ensure you have followed the user instructions correctly. If the stove is more than 1 year old or has been used frequently, the seals may need to be replaced. Are the upper baffle plate pushed all the way back?

The stove has poor draught after installation

Check to ensure you have followed the assembly instructions correctly. The problem may be related to the chimney. Does the diameter and length correspond to that recommended? Is the chimney cross-section free? Are the flue pipes and transitions free? A chimney sweep may need to be contacted to address the problem.

Smell of smoke and soot

This may be caused by a downdraught in the chimney and can occur in certain weather conditions. The chimney does not have the prescribed effective height or may be affected by nearby trees or buildings. Is there sufficient air for combustion?

Tight-closing windows and doors can cause negative pressure in a room which leads to a lack of combustion air and causes chimney downdraught problems.

An extractor fan in the same room or room air connection can cause a very high negative pressure in the room as a result of which flue gases can be drawn into the room. It is therefore essential to provide a safety device so that there is always sufficient air for combustion in the room.

Heating in transitional periods

From an outside temperature of about 15 degrees and above, the stove may not function properly. The small temperature differences lead to a decreasing chimney downdraught. This can result in difficulty lighting the stove, unsatisfactory burning behaviour, increased flue gas formation with blackening of the panel and smoke being emitted when the stove door is opened.

Chimney fire

Using incorrect or excessively moist fuel, and not having your stove regularly serviced, can cause a chimney fire due to deposits in the chimney. Immediately close all stove air vents and notify the fire brigade. After a chimney fire, it must be inspected for cracks and tightness by a specialist.

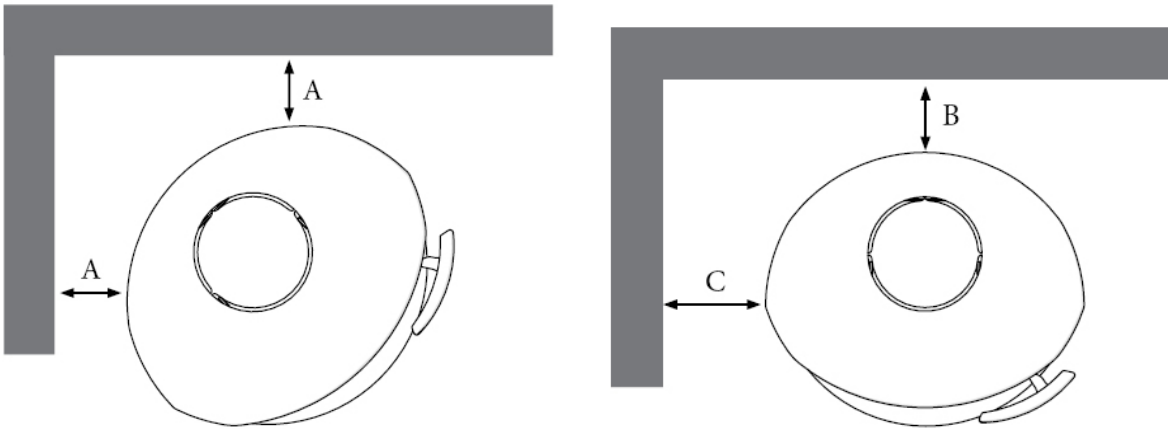
Important note

Using the stove over and beyond the nominal heat output for prolonged periods and with fuels other than those mentioned will invalidate the manufacturer's warranty.

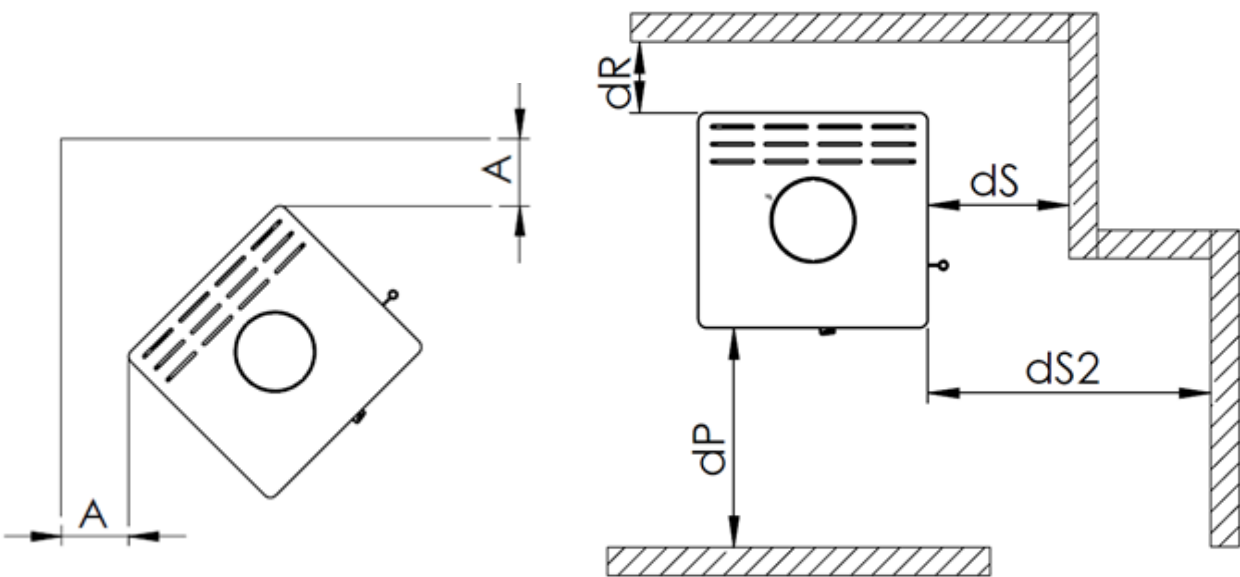
11 What the stove includes

The stove includes assembly and user instructions as well as a flue pipe connection installation kit and a glove.

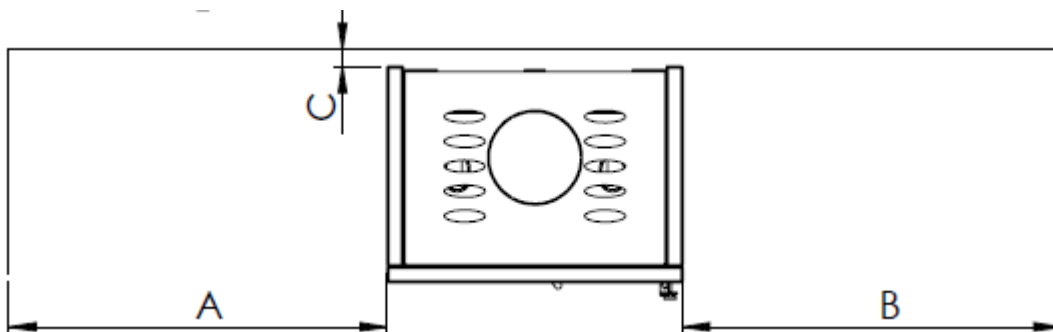
Safety clearances to combustibles



Applies to Allure



Applies to Visto



12 Technical data

2000 Series Technical data

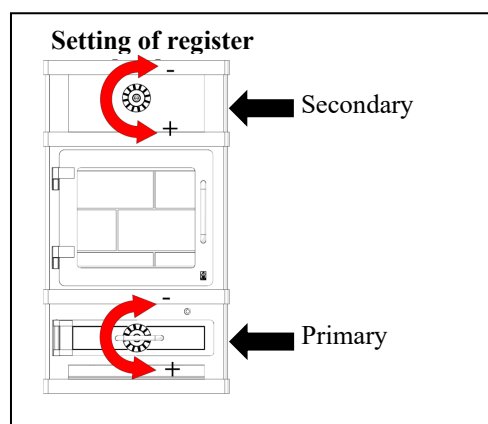
Technical Specifications					Safety distance to combustibles Materials			
Type	Height mm	Width mm	Depth mm	Weight kg	A* mm	B* mm	C* mm	In front of mm
2060	930	520	405	175	200	200	200	800
2080	930	520	405	267	200	200	200	800

* See page 14

Schedule calculation for the chimney

Type	Flue PA	Combustion air requirement m ³ /h	Flue Gas Mass Flow (g/s)	Flue Gas Temperature	Rate of Efficiency %	Rated output kW
2060	12	22	6,1 m	344°	81	8
2080	12	22	6,1 m	344°	81	8

Wood quantity at kindling and filling	
Kindling Wood	Wood
2,4 kg	1,9 kg



Product Fiche

Name or trademark	Lotus	Notes
Model identifier	2000 Series	
Energy efficiency class	A+	
Direct heat output	8,0 kW	-meaning the space heat output according to the product standard -rounded to the nearest one decimal place
Energy efficiency index (EEI)	108,5	- rounded to the <u>nearest integer</u> : -calculation with EEI-calculator ²
Energy efficiency at nominal heat output	81,0 %	-Efficiency at nominal heat output according to the product standard (rounded to the nearest one decimal place)
Specific precautions that shall be taken when assembling, installing or maintaining the local space heater.	Selected examples: - Fire protection and safety distances such as distances to combustibles building materials must be observed! - An adequate supply of combustion air for the appliance must be guaranteed at all times. Air-suction systems can interfere with the combustion air supply!	

Declaration of conformity

This manufacturer's declaration confirms the compliance with the requirements of Regulation (EU) 2015/1185 and the notification in the Official Journal 2017 / C 076/02 of the European Commission.

Manufacturer	Lotus Heating Systems A/S, Agertoften 6, 5550 Langeskov. +45 63237070
Product type	Room heater for solid fuel (wood logs only)
Model identifier	Lotus 2000 series
Dokumentation	www.lotusstoves.com
Requeirements	EN 13240 2001/A2 2004/AC 2007

EU Union legislation:

Reference	Date	Title
Top level directives and regulations		
DIR 2009/125/EC	21/10/2009	Energy Related Products Directive (codesign)
REG (EU) 305/2011	9/3/2011	Construction Products Regulation (CPR)
REG (EU) 2017/1369	4/7/2017	Energy Labelling Regulation
Implementation measures incl regulations and delegated acts		
(EU) 2015/1186 (EL)	24/4/2015	Energy labelling delegated act on Room heaters
(EU) 2015/1185 (ED)	24/4/2015	Ecodesign regulation on Room heaters
2017/C 076/02	10/3/2017	COM Transitional methods OJ EU C76 Vol 60
Harmonized standards, other standards and technical specifications		
EN 13240:2001	7/4/2001	Room heaters fired by solid fuel
EN 13240/A2:2004	28/10/2004	Harmonization of EN13240 by Annex ZA
prEN 16510-1 (2013 ed)	January 2013	Emission measurement methods prior to 2018
CEN/TS 15883	8/9/2009	Emission measurement from 2009
EN 16510-1:2018	31/7/2018	Emission measurement methods 2018 onwards

Limit values:

η_s [%] Seasonal Heating efficiency	CO [mg/m ³] (13% O ₂)	PM [mg/m ³] (13% O ₂)	NOx [mg/m ³] (13% O ₂)	C _{OGC} [mg/m ³] (13% O ₂)
71%	500	29	106	40

Datum: 23/12-2021



Lars U. Borch, **Lotus Heating Systems A/S**

Allure Series Technical Data

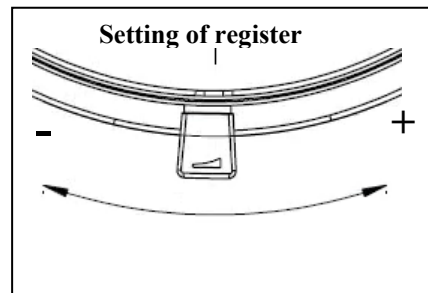
Technical Specifications					Safety distance to combustible Materials				
Type	Height mm	Width mm	Depth mm	Weight kg	A* mm	dr* mm	ds* mm	ds2* mm	dp* mm
Allure	1345	480	450	190	300	150	300	600	1100

*See page 14

Schedule calculation for the chimney

Type	Flue PA	Combustion air requirement m3/h	Flue Gas Mass Flow (g/s)	Flue Gas Temperature	Rate of Efficiency %	Rated output kW
Allure	12	19	5,6m	310°	82	6,5

Wood quantity at kindling and filling	
Kindling Wood	Wood
1,8 kg	1,5 kg



Name or trademark	<i>Lotus</i>	Notes
Model identifier	<i>Allure</i>	
Energy efficiency class	<i>A+</i>	
Direct heat output	<i>6,5 kW</i>	-meaning the space heat output according to the product standard -rounded to the nearest one decimal place
Energy efficiency index (EEI)	<i>110</i>	- rounded to the <u>nearest integer</u> : -calculation with EEI-calculator ²
Energy efficiency at nominal heat output	<i>82 %</i>	-Efficiency at nominal heat output according to the product standard (rounded to the nearest one decimal place)
Specific precautions that shall be taken when assembling, installing or maintaining the local space heater.	Selected examples: - <i>Fire protection and safety distances such as distances to combustible building materials must be observed!</i> - <i>An adequate supply of combustion air for the appliance must be guaranteed at all times. Air-suction systems can interfere with the combustion air supply!</i>	

Declaration of conformity

This manufacturer's declaration confirms the compliance with the requirements of Regulation (EU) 2015/1185 and the notification in the Official Journal 2017 / C 076/02 of the European Commission.

Manufacturer	Lotus Heating Systems A/S, Agertoften 6, 5550 Langeskov. +45 63237070
Product type	Room heater for solid fuel (wood logs only)
Model identifier	Lotus Allure
Dokumentation	www.lotusstoves.com
Requirements	EN 13240 2001/A2 2004/AC 2007

EU Union legislation:

Reference	Date	Title
Top level directives and regulations		
DIR 2009/125/EC	21/10/2009	Energy Related Products Directive (ecodesign)
REG (EU) 305/2011	9/3/2011	Construction Products Regulation (CPR)
REG (EU) 2017/1369	4/7/2017	Energy Labelling Regulation
Implementation measures incl regulations and delegated acts		
(EU) 2015/1186 (EL)	24/4/2015	Energy labelling delegated act on Room heaters
(EU) 2015/1185 (ED)	24/4/2015	Ecodesign regulation on Room heaters
2017/C 076/02	10/3/2017	COM Transitional methods OJ EU C76 Vol 60
Harmonized standards, other standards and technical specifications		
EN 13240:2001	7/4/2001	Room heaters fired by solid fuel
EN 13240/A2:2004	28/10/2004	Harmonization of EN13240 by Annex ZA
prEN 16510-1 (2013 ed)	January 2013	Emission measurement methods prior to 2018
CEN/TS 15883	8/9/2009	Emission measurement from 2009
EN 16510-1:2018	31/7/2018	Emission measurement methods 2018 onwards

Limit values:

η_s [%] Seasonal Heating efficiency	CO [mg/m ³] (13% O ₂)	PM [mg/m ³] (13% O ₂)	NOx [mg/m ³] (13% O ₂)	C _{OGC} [mg/m ³] (13% O ₂)
72	1000	28	98	64

Datum: 23/12-2021



Lars U. Borch, **Lotus Heating Systems A/S**

Beto 470 Technical data

Technical Specifications	Safety distance to combustible Materials
--------------------------	--

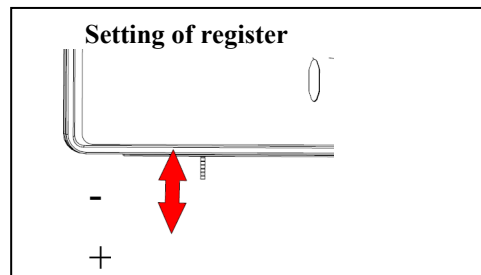
Type	Height mm	Width mm	Depth mm	Weight kg	A* mm	B* mm	C* mm	In front of mm
Beto 470	1341	830	510	301	350	350	350	1400
Beto 470+	1761	830	510	351	350	350	350	1400
Beto 470 M	1345	796	510	473	350	350	350	1400
Beto 470 M+	1705	796	510	553	350	350	350	1400

*See page 14

Schedule calculation for the chimney

Type	Flue PA	Combustion air requirement m3/h	Flue Gas Mass Flow (g/s)	Flue Gas Temperature	Rate of Efficiency %	Rated output kW
Beto 470	12	18	5,3 m	320°	84	6
Beto 470+	12	18	5,3 m	320°	84	6
Beto 470 M	12	18	5,3 m	320°	84	6
Beto 470 M+	12	18	5,3 m	320°	84	6

Wood quantity at kindling and filling	
Kindling Wood	Wood
2,0 kg	1,5-2,5 kg



Product Fiche

Name or trademark	Lotus	Notes
Model identifier	H470	
Energy efficiency class	A+	
Direct heat output	6,0 kW	-meaning the space heat output according to the product standard -rounded to the nearest one decimal place
Energy efficiency index (EEI)	113	- rounded to the <u>nearest integer</u> : -calculation with EEI-calculator ²
Energy efficiency at nominal heat output	84,0 %	-Efficiency at nominal heat output according to the product standard (rounded to the nearest one decimal place)
Specific precautions that shall be taken when assembling, installing or maintaining the local space heater.	Selected examples: - Fire protection and safety distances such as distances to combustible building materials must be observed! - An adequate supply of combustion air for the appliance must be guaranteed at all times. Air-suction systems can interfere with the combustion air supply!	

Declaration of conformity

This manufacturer's declaration confirms the compliance with the requirements of Regulation (EU) 2015/1185 and the notification in the Official Journal 2017 / C 076/02 of the European Commission.

Manufacturer	Lotus Heating Systems A/S, Agertoften 6, 5550 Langeskov. +45 63237070
Product type	Room heater for solid fuel (wood logs only)
Model identifier	Lotus Beto 470
Dokumentation	www.lotusstoves.com
Requirements	EN 13 229: 2001/A2:2004/AC:2007

EU Union legislation:

Reference	Date	Title
Top level directives and regulations		
DIR 2009/125/EC	21/10/2009	Energy Related Products Directive (ecodesign)
REG (EU) 305/2011	9/3/2011	Construction Products Regulation (CPR)
REG (EU) 2017/1369	4/7/2017	Energy Labelling Regulation
Implementation measures incl regulations and delegated acts		
(EU) 2015/1186 (EL)	24/4/2015	Energy labelling delegated act on Room heaters
(EU) 2015/1185 (ED)	24/4/2015	Ecodesign regulation on Room heaters
2017/C 076/02	10/3/2017	COM Transitional methods OJ EU C76 Vol 60
Harmonized standards, other standards and technical specifications		
EN 13240:2001	7/4/2001	Room heaters fired by solid fuel
EN 13240/A2:2004	28/10/2004	Harmonization of EN13240 by Annex ZA
prEN 16510-1 (2013 ed)	January 2013	Emission measurement methods prior to 2018
CEN/TS 15883	8/9/2009	Emission measurement from 2009
EN 16510-1:2018	31/7/2018	Emission measurement methods 2018 onwards

Limit values:

η_s [%] Seasonal Heating efficiency	CO [mg/m ³] (13% O ₂)	PM [mg/m ³] (13% O ₂)	NOx [mg/m ³] (13% O ₂)	C _{org} [mg/m ³] (13% O ₂)
74%	1125	18	105	74

Datum: 03/01-2022



Lars U. Borch **Lotus Heating Systems A/S**

Beto 470W Technical data.

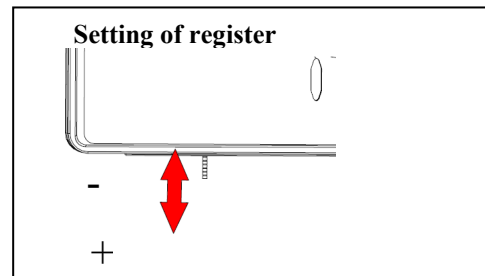
Technical Specifications					Safety distance to combustible Materials			
Type	Height mm	Width mm	Depth mm	Weight kg	A* mm	B* mm	C* mm	In front of mm
Beto 470W	1341	1050	510	373	500	500	500	1400
Beto 470W+	1761	1050	510	433	500	500	500	1400
Beto 470W M	1345	1009	510	638	500	500	500	1400
Beto 470W M+	1705	1009	510	726	500	500	500	1400

*See page 14

Schedule calculation for the chimney

Type	Flue PA	Combustion air requirement m3/h	Flue Gas Mass Flow (g/s)	Flue Gas Temperature	Rate of Efficiency %	Rated output kW
Beto 470W	12	20	6,8 m	315°	80,5	7
Beto 470W+	12	20	6,8 m	315°	80,5	7
Beto 470W M	12	20	6,8 m	315°	80,5	7
Beto 470W M+	12	20	6,8 m	315°	80,5	7

Wood quantity at kindling and filling	
Kindling Wood	Wood
2,0 kg	1,5-2,5 kg



Product Fiche

Name or trademark	Lotus	Notes
Model identifier	H470W	
Energy efficiency class	A+	
Direct heat output	7,0 kW	-meaning the space heat output according to the product standard -rounded to the nearest one decimal place
Energy efficiency index (EEI)	108	- rounded to the <u>nearest integer</u> : -calculation with EEI-calculator ²
Energy efficiency at nominal heat output	80,5 %	-Efficiency at nominal heat output according to the product standard (rounded to the nearest one decimal place)
Specific precautions that shall be taken when assembling, installing or maintaining the local space heater.	Selected examples: - Fire protection and safety distances such as distances to combustible building materials must be observed! - An adequate supply of combustion air for the appliance must be guaranteed at all times. Air-suction systems can interfere with the combustion air supply!	

Declaration of conformity

This manufacturer's declaration confirms the compliance with the requirements of Regulation (EU) 2015/1185 and the notification in the Official Journal 2017 / C 076/02 of the European Commission.

Manufacturer	Lotus Heating Systems A/S, Agertoften 6, 5550 Langeskov. +45 63237070
Product type	Room heater for solid fuel (wood logs only)
Model identifier	Lotus Style 470W
Dokumentation	www.lotusstoves.com
Requreiments	EN 13240 2001/A2 2004/AC 2007

EU Union legislation:

Reference	Date	Title
Top level directives and regulations		
DIR 2009/125/EC	21/10/2009	Energy Related Products Directive (ecodesign)
REG (EU) 305/2011	9/3/2011	Construction Products Regulation (CPR)
REG (EU) 2017/1369	4/7/2017	Energy Labelling Regulation
Implementation measures incl regulations and delegated acts		
(EU) 2015/1186 (EL)	24/4/2015	Energy labelling delegated act on Room heaters
(EU) 2015/1185 (ED)	24/4/2015	Ecodesign regulation on Room heaters
2017/C 076/02	10/3/2017	COM Transitional methods OJ EU C76 Vol 60
Harmonized standards, other standards and technical specifications		
EN 13240:2001	7/4/2001	Room heaters fired by solid fuel
EN 13240/A2:2004	28/10/2004	Harmonization of EN13240 by Annex ZA
prEN 16510-1 (2013 ed)	January 2013	Emission measurement methods prior to 2018
CEN/TS 15883	8/9/2009	Emission measurement from 2009
EN 16510-1:2018	31/7/2018	Emission measurement methods 2018 onwards

Limit values:

η_s [%] Seasonal Heating efficiency	CO [mg/m ³] (13% O ₂)	PM [mg/m ³] (13% O ₂)	NOx [mg/m ³] (13% O ₂)	C _{OGC} [mg/m ³] (13% O ₂)
71%	1250	19	135	89

Datum: 23/12-2021



Lars U. Borch, **Lotus Heating Systems A/S**

Beto 700 Technical data.

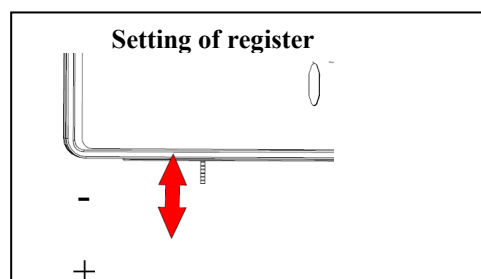
Technical Specifications					Safety distance to combustible Materials			
Type	Height mm	Width mm	Depth mm	Weight kg	A* mm	B* mm	C* mm	In front of mm
Beto 700	1600	620	510	279	400	300	400	1400
Beto 700+	2039	620	510	319	400	300	400	1400
Beto 700 M	1600	556	510	495	400	300	400	1400
Beto 700 M+	1940	556	510	562	400	300	400	1400

Schedule calculation for the chimney

* See page 14

Type	Flue PA	Combustion air requirement m ³ /h	Flue Gas Mass Flow (g/s)	Flue Gas Temperature	Rate of Efficiency %	Rated output kW
Beto 700	12	18	5,7 m	308°	82,9	6
Beto 700+	12	18	5,7 m	308°	82,9	6
Beto 700 M	12	18	5,7 m	308°	82,9	6
Beto 700 M+	12	18	5,7 m	308°	82,9	6

Wood quantity at kindling and filling	
Kindling Wood	Wood
2,0 kg	1,5-2,5 kg



Product Fiche

Name or trademark	<i>Lotus</i>	Notes
Model identifier	<i>H700</i>	
Energy efficiency class	<i>A+</i>	
Direct heat output	<i>6,0 kW</i>	-meaning the space heat output according to the product standard -rounded to the nearest one decimal place
Energy efficiency index (EEI)	<i>111</i>	- rounded to the nearest integer: -calculation with EEI-calculator ²
Energy efficiency at nominal heat output	<i>82,9 %</i>	-Efficiency at nominal heat output according to the product standard (rounded to the nearest one decimal place)
Specific precautions that shall be taken when assembling, installing or maintaining the local space heater.	Selected examples: - Fire protection and safety distances such as distances to combustible building materials must be observed! - An adequate supply of combustion air for the appliance must be guaranteed at all times. Air-suction systems can interfere with the combustion air supply!	

Declaration of conformity

This manufacturer's declaration confirms the compliance with the requirements of Regulation (EU) 2015/1185 and the notification in the Official Journal 2017 / C 076/02 of the European Commission.

Manufacturer	Lotus Heating Systems A/S, Agertoften 6, 5550 Langeskov. +45 63237070
Product type	Room heater for solid fuel (wood logs only)
Model identifier	Lotus Beto 700
Dokumentation	www.lotusstoves.com
Requirements	EN 13 229: 2001/A2:2004/AC:2007

EU Union legislation:

Reference	Date	Title
Top level directives and regulations		
DIR 2009/125/EC	21/10/2009	Energy Related Products Directive (ecodesign)
REG (EU) 305/2011	9/3/2011	Construction Products Regulation (CPR)
REG (EU) 2017/1369	4/7/2017	Energy Labelling Regulation
Implementation measures incl regulations and delegated acts		
(EU) 2015/1186 (EL)	24/4/2015	Energy labelling delegated act on Room heaters
(EU) 2015/1185 (ED)	24/4/2015	Ecodesign regulation on Room heaters
2017/C 076/02	10/3/2017	COM Transitional methods OJ EU C76 Vol 60
Harmonized standards, other standards and technical specifications		
EN 13240:2001	7/4/2001	Room heaters fired by solid fuel
EN 13240/A2:2004	28/10/2004	Harmonization of EN13240 by Annex ZA
prEN 16510-1 (2013 ed)	January 2013	Emission measurement methods prior to 2018
CEN/TS 15883	8/9/2009	Emission measurement from 2009
EN 16510-1:2018	31/7/2018	Emission measurement methods 2018 onwards

Limit values:

η_s [%] Seasonal Heating efficiency	CO [mg/m ³] (13% O ₂)	PM [mg/m ³] (13% O ₂)	NOx [mg/m ³] (13% O ₂)	C _{OGC} [mg/m ³] (13% O ₂)
72,9%	500	29	81	28

Datum: 03/01-2022



Lars U. Borch **Lotus Heating Systems A/S**

Jubilee 10-20 Technical Data

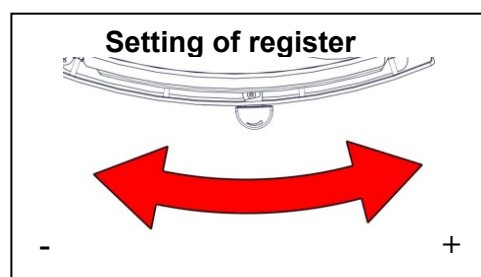
Technical Data					Safety clearances to combustible materials			
Type	Height mm	Width mm	Depth mm	Weight kg	A* mm	B* mm	C* mm	Front mm
Jubilee 10 - Wall	648	491	322	84	170	170	450	1150
Jubilee 10 - Base S	737	491	310	82	170	170	450	1150
Jubilee 20	950	491	301	90	170	170	450	1150
Jubilee 20 S	985	491	301	135	170	170	450	1150
Jubilee Basic	850	492	301	86	170	170	450	1150

Schedule calculation for the chimney

* See page 14

Type	Flue PA	Combustion air requirement m3/h	Flue gas mass flow (g/s)	Flue gas temperature	Rate of Efficiency %	Rated output kW
Jubilee 10-Wall	12	12	3.9 m	302°	81	4
Jubilee 10-Base	12	12	3.9 m	302°	81	4
Jubilee 20	12	12	3.9 m	302°	81	4
Jubilee 20 S	12	12	3.9 m	302°	81	4

Wood quantity at kindling and filling	
Kindling Wood	Wood
1,1 kg	0,9-1 kg



Product Fiche

Name or Trademark	<i>Lotus</i>	Notes
Model identifier	<i>Jubilee 10/20 Series</i>	
Energy efficiency class	<i>A+</i>	
Direct heat output	<i>4.0 kW</i>	-meaning the space heat output according to the product standard -rounded to the nearest one decimal place
Energy Efficiency Index (EEI)	<i>109</i>	- rounded to the <u>nearest integer</u> : -calculation with EEI-calculator ²
Energy efficiency at nominal heat output	<i>81%</i>	-Efficiency at nominal heat output according to the product standard (rounded to the nearest one decimal place)
Specific precautions that shall be taken when assembling, installing or maintaining the local space heater.	Selected examples: - <i>Fire protection and safety distances such as distances to combustible building materials must be observed!</i> - <i>An adequate supply of combustion air for the appliance must be guaranteed at all times. Air-suction systems can interfere with the combustion air supply!</i>	

Declaration of conformity

This manufacturer's declaration confirms the compliance with the requirements of Regulation (EU) 2015/1185 and the notification in the Official Journal 2017 / C 076/02 of the European Commission.

Manufacturer	Lotus Heating Systems A/S, Agertoften 6, 5550 Langeskov. +45 63237070
Product type	Room heater for solid fuel (wood logs only)
Model identifier	Jubilee 10 Base -10 wall – 20 – 20S
Dokumentation	www.lotusstoves.com
Requeirements	EN 13240 2001/A2 2004/AC 2007

EU Union legislation:

Reference	Date	Title
Top level directives and regulations		
DIR 2009/125/EC	21/10/2009	Energy Related Products Directive (codesign)
REG (EU) 305/2011	9/3/2011	Construction Products Regulation (CPR)
REG (EU) 2017/1369	4/7/2017	Energy Labelling Regulation
Implementation measures incl regulations and delegated acts		
(EU) 2015/1186 (EL)	24/4/2015	Energy labelling delegated act on Room heaters
(EU) 2015/1185 (ED)	24/4/2015	Ecodesign regulation on Room heaters
2017/C 076/02	10/3/2017	COM Transitional methods OJ EU C76 Vol 60
Harmonized standards, other standards and technical specifications		
EN 13240:2001	7/4/2001	Room heaters fired by solid fuel
EN 13240/A2:2004	28/10/2004	Harmonization of EN13240 by Annex ZA
prEN 16510-1 (2013 ed)	January 2013	Emission measurement methods prior to 2018
CEN/TS 15883	8/9/2009	Emission measurement from 2009
EN 16510-1:2018	31/7/2018	Emission measurement methods 2018 onwards

Limit values

η_s [%] Seasonal Heating efficiency	CO [mg/m ³] (13% O ₂)	PM [mg/m ³] (13% O ₂)	NOx [mg/m ³] (13% O ₂)	C _{OGC} [mg/m ³] (13% O ₂)
71%	1000	23	123	87

Datum: 23/12-2021



Lars U. Borch, **Lotus Heating Systems A/S**

Jubilee 25 Series Technical Data

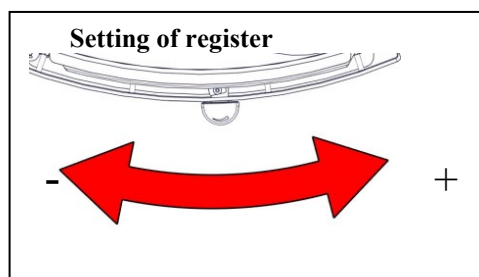
Technical Specifications					Safety distance to combustible Materials			
Type	Height mm	Width mm	Depth mm	Weight kg	A* mm	B* mm	C* mm	In front of mm
Jubilee 25	1092	626	402	160	110	150	370	1150
Jubilee 25 S	1102	626	402	220	110	150	370	1150
Jubilee 25 IN	1102	626	402	220	110	150	370	1150

Schedule calculation for the chimney

* See page 14

Type	Flue PA	Combustion air requirement m3/h	Flue Gas Mass Flow (g/s)	Flue Gas Temperature	Rate of Efficiency %	Rated output kW
Jubilee 25	12	18	4,4 m	343°	81	6
Jubilee 25 S	12	18	4,4 m	343°	81	6
Jubilee 25 IN	12	18	4,4 m	343°	81	6

Wood quantity at kindling and filling	
Kindling Wood	Wood
1,4-1,5 kg	1,8-2 kg



Product Fiche

Name or trademark	Lotus	Notes
Model identifier	Jubilee 25 Series	
Energy efficiency class	A+	
Direct heat output	6,0 kW	-meaning the space heat output according to the product standard -rounded to the nearest one decimal place
Energy efficiency index (EEI)	109	- rounded to the nearest integer: -calculation with EEI-calculator ²
Energy efficiency at nominal heat output	81,0 %	-Efficiency at nominal heat output according to the product standard (rounded to the nearest one decimal place)
Specific precautions that shall be taken when assembling, installing or maintaining the local space heater.	Selected examples: - Fire protection and safety distances such as distances to combustible building materials must be observed! - An adequate supply of combustion air for the appliance must be guaranteed at all times. Air-suction systems can interfere with the combustion air supply!	

Declaration of conformity

This manufacturer's declaration confirms the compliance with the requirements of Regulation (EU) 2015/1185 and the notification in the Official Journal 2017 / C 076/02 of the European Commission.

Manufacturer	Lotus Heating Systems A/S, Agertoften 6, 5550 Langeskov. +45 63237070
Product type	Room heater for solid fuel (wood logs only)
Model identifier	Lotus Jubilee 25- 25S-25M
Dokumentation	www.lotusstoves.com
Requeirements	EN 13240 2001/A2 2004/AC 2007

EU Union legislation:

Reference	Date	Title
Top level directives and regulations		
DIR 2009/125/EC	21/10/2009	Energy Related Products Directive (ecodesign)
REG (EU) 305/2011	9/3/2011	Construction Products Regulation (CPR)
REG (EU) 2017/1369	4/7/2017	Energy Labelling Regulation
Implementation measures incl regulations and delegated acts		
(EU) 2015/1186 (EL)	24/4/2015	Energy labelling delegated act on Room heaters
(EU) 2015/1185 (ED)	24/4/2015	Ecodesign regulation on Room heaters
2017/C 076/02	10/3/2017	COM Transitional methods OJ EU C76 Vol 60
Harmonized standards, other standards and technical specifications		
EN 13240:2001	7/4/2001	Room heaters fired by solid fuel
EN 13240/A2:2004	28/10/2004	Harmonization of EN13240 by Annex ZA
prEN 16510-1 (2013 ed)	January 2013	Emission measurement methods prior to 2018
CEN/TS 15883	8/9/2009	Emission measurement from 2009
EN 16510-1:2018	31/7/2018	Emission measurement methods 2018 onwards

Limit values:

η_s [%] Seasonal Heating efficiency	CO [mg/m ³] (13% O ₂)	PM [mg/m ³] (13% O ₂)	NOx [mg/m ³] (13% O ₂)	C _{OGC} [mg/m ³] (13% O ₂)
71%	625	10	93	27

Datum: 23/12-2021



Lars U. Borch, **Lotus Heating Systems A/S**

Jubilee 35 Series Technical.

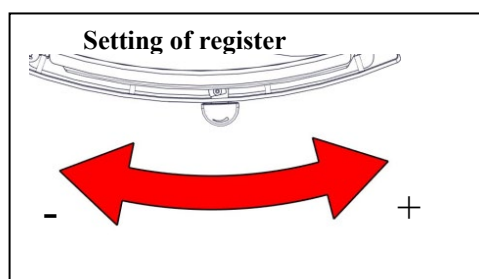
Technical Specifications					Safety distance to combustible Materials			
Type	Height mm	Width mm	Depth mm	Weight kg	A* mm	B* mm	C* mm	In front of mm
Jubilee 35	1092	724	454	192	100	170	310	1300
Jubilee 35 S	1102	726	454	243	100	170	310	1300
Jubilee 35M	1420	726	454	358	100	170	310	1300
Jubilee BF	1412	724	454	236	100	170	310	1300
Jubilee M BF	1422	726	454	300	100	170	310	1300

Schedule calculation for the chimney

* See page 14

Type	Flue PA	Combustion air requirement m3/h	Flue Gas Mass Flow (g/s)	Flue Gas Temperature	Rate of Efficiency %	Rated output kW
Jubilee 35	12	20	5,4 m	283°	82	7
Jubilee 35 S	12	20	5,4 m	283°	82	7
Jubilee 35M	12	20	5,4 m	283°	82	7
Jubilee BF	12	20	5,9 m	238°	86	7
Jubilee M BF	12	20	5,9 m	238°	86	7

Wood quantity at kindling and filling	
Kindling Wood	Wood
2 - 2,2 kg	1,8 - 2 kg



Product Fiche

Name or trademark	Lotus	Notes
Model identifier	Jubilee 35 Series	
Energy efficiency class	A+	
Direct heat output	7,0 kW	-meaning the space heat output according to the product standard -rounded to the nearest one decimal place
Energy efficiency index (EEI)	110 116 *	- rounded to the nearest integer: -calculation with EEI-calculator ²
Energy efficiency at nominal heat output	81,0 % 86,0 %*	-Efficiency at nominal heat output according to the product standard (rounded to the nearest one decimal place)
Specific precautions that shall be taken when assembling, installing or maintaining the local space heater.	Selected examples: - Fire protection and safety distances such as distances to combustible building materials must be observed! - An adequate supply of combustion air for the appliance must be guaranteed at all times. Air-suction systems can interfere with the combustion air supply!	

* For Jubilee BF and Jubilee M BF

Declaration of conformity

This manufacturer's declaration confirms the compliance with the requirements of Regulation (EU) 2015/1185 and the notification in the Official Journal 2017 / C 076/02 of the European Commission.

Manufacturer	Lotus Heating Systems A/S, Agertoften 6, 5550 Langeskov. +45 63237070
Product type	Room heater for solid fuel (wood logs only)
Model identifier	Jubilee 35, 35S, 35M
Dokumentation	www.lotusstoves.com
Requeirements	EN 13240 2001/A2 2004/AC 2007

EU Union legislation:

Reference	Date	Title
Top level directives and regulations		
DIR 2009/125/EC	21/10/2009	Energy Related Products Directive (codesign)
REG (EU) 305/2011	9/3/2011	Construction Products Regulation (CPR)
REG (EU) 2017/1369	4/7/2017	Energy Labelling Regulation
Implementation measures incl regulations and delegated acts		
(EU) 2015/1186 (EL)	24/4/2015	Energy labelling delegated act on Room heaters
(EU) 2015/1185 (ED)	24/4/2015	Ecodesign regulation on Room heaters
2017/C 076/02	10/3/2017	COM Transitional methods OJ EU C76 Vol 60
Harmonized standards, other standards and technical specifications		
EN 13240:2001	7/4/2001	Room heaters fired by solid fuel
EN 13240/A2:2004	28/10/2004	Harmonization of EN13240 by Annex ZA
prEN 16510-1 (2013 ed)	January 2013	Emission measurement methods prior to 2018
CEN/TS 15883	8/9/2009	Emission measurement from 2009
EN 16510-1:2018	31/7/2018	Emission measurement methods 2018 onwards

Limit values:

η_s [%] Seasonal Heating efficiency	CO [mg/m^3] (13% O ₂)	PM [mg/m^3] (13% O ₂)	NOx [mg/m^3] (13% O ₂)	C _{OGC} [mg/m^3] (13% O ₂)
72	875	16	103	54

Datum: 23/12-2021



Lars U. Borch, **Lotus Heating Systems A/S**

Declaration of conformity

This manufacturer's declaration confirms the compliance with the requirements of Regulation (EU) 2015/1185 and the notification in the Official Journal 2017 / C 076/02 of the European Commission.

Manufacturer	Lotus Heating Systems A/S, Agertofte 6, 5550 Langeskov. +45 63237070
Product type	Room heater for solid fuel (wood logs only)
Model identifier	Jubilee 35 Baking section
Dokumentation	www.lotusstoves.com
Requirements	EN 13240 2001/A2 2004/AC 2007

EU Union legislation:

Reference	Date	Title
Top level directives and regulations		
DIR 2009/125/EC	21/10/2009	Energy Related Products Directive (codesign)
REG (EU) 305/2011	9/3/2011	Construction Products Regulation (CPR)
REG (EU) 2017/1369	4/7/2017	Energy Labelling Regulation
Implementation measures incl regulations and delegated acts		
(EU) 2015/1186 (EL)	24/4/2015	Energy labelling delegated act on Room heaters
(EU) 2015/1185 (ED)	24/4/2015	Ecodesign regulation on Room heaters
2017/C 076/02	10/3/2017	COM Transitional methods OJ EU C76 Vol 60
Harmonized standards, other standards and technical specifications		
EN 13240:2001	7/4/2001	Room heaters fired by solid fuel
EN 13240/A2:2004	28/10/2004	Harmonization of EN13240 by Annex ZA
prEN 16510-1 (2013 ed)	January 2013	Emission measurement methods prior to 2018
CEN/TS 15883	8/9/2009	Emission measurement from 2009
EN 16510-1:2018	31/7/2018	Emission measurement methods 2018 onwards

Limit values:

η_s [%] Seasonal Heating efficiency	CO [mg/m ³] (13% O ₂)	PM [mg/m ³] (13% O ₂)	NOx [mg/m ³] (13% O ₂)	C _{OGC} [mg/m ³] (13% O ₂)
76	1125	12	107	78

Datum: 23/12-2021



Lars U. Borch, **Lotus Heating Systems A/S**

Liva Series Technical Data

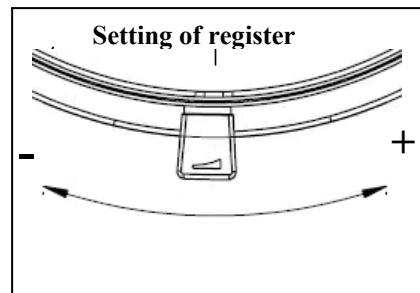
Technical Specifications					Safety distance to combustible Materials			
Type	Height mm	Width mm	Depth mm	Weight kg	A* mm	B* mm	C* mm	In front of mm
Liva 5-5G	1002	510	410	121	300	150	300	800
Liva 5 S	1022	510	410	175	300	150	300	800
Liva 6-6G	1210	510	410	133	300	150	300	800
Liva 6 S	1230	510	410	192	300	150	300	800
Liva 7 G	1100	510	410	157	300	150	300	800
Liva 8 G	800	510	390	110	-	-	300	800
Liva 9 G	916	510	405	114	300	150	300	800

See page 14

Schedule calculation for the chimney

Type	Flue PA	Combustion air requirement m3/h	Flue Gas Mass Flow (g/s)	Flue Gas Temperature	Rate of Efficiency %	Rated output kW
Liva 5-5G	12	15	4,6 m	330°	78	5
Liva 5 S	12	15	4,6 m	330°	78	5
Liva 6-6G	12	15	4,6 m	330°	78	5
Liva 6 S	12	15	4,6 m	330°	78	5
Liva 7 G	12	15	4,6 m	330°	78	5
Liva 8 G	12	15	4,6 m	330°	78	5
Liva 9G	12	15	4,6 m	330°	78	5

Wood quantity at kindling and filling	
Kindling Wood	Wood
2,0 kg	2,1 kg



Product Fiche

Name or trademark	<i>Lotus</i>	Notes
Model identifier	<i>Liva Series</i>	
Energy efficiency class	<i>A</i>	
Direct heat output	<i>5,0 kW</i>	-meaning the space heat output according to the product standard -rounded to the nearest one decimal place
Energy efficiency index (EEI)	<i>104</i>	- rounded to the <u>nearest integer</u> : -calculation with EEI-calculator ²
Energy efficiency at nominal heat output	<i>78,0 %</i>	-Efficiency at nominal heat output according to the product standard (rounded to the nearest one decimal place)
Specific precautions that shall be taken when assembling, installing or maintaining the local space heater.	Selected examples: - Fire protection and safety distances such as distances to combustible building materials must be observed! - An adequate supply of combustion air for the appliance must be guaranteed at all times. Air-suction systems can interfere with the combustion air supply!	

Declaration of conformity

This manufacturer's declaration confirms the compliance with the requirements of Regulation (EU) 2015/1185 and the notification in the Official Journal 2017 / C 076/02 of the European Commission.

Manufacturer	Lotus Heating Systems A/S, Agertoften 6, 5550 Langeskov. +45 63237070
Product type	Room heater for solid fuel (wood logs only)
Model identifier	Lotus Liva 5, 5G, 6, 6G, 7G, 8G, 9G
Dokumentation	www.lotusstoves.com
Requirements	EN 13240 2001/A2 2004/AC 2007

EU Union legislation:

Reference	Date	Title
Top level directives and regulations		
DIR 2009/125/EC	21/10/2009	Energy Related Products Directive (ecodesign)
REG (EU) 305/2011	9/3/2011	Construction Products Regulation (CPR)
REG (EU) 2017/1369	4/7/2017	Energy Labelling Regulation
Implementation measures incl regulations and delegated acts		
(EU) 2015/1186 (EL)	24/4/2015	Energy labelling delegated act on Room heaters
(EU) 2015/1185 (ED)	24/4/2015	Ecodesign regulation on Room heaters
2017/C 076/02	10/3/2017	COM Transitional methods OJ EU C76 Vol 60
Harmonized standards, other standards and technical specifications		
EN 13240:2001	7/4/2001	Room heaters fired by solid fuel
EN 13240/A2:2004	28/10/2004	Harmonization of EN13240 by Annex ZA
prEN 16510-1 (2013 ed)	January 2013	Emission measurement methods prior to 2018
CEN/TS 15883	8/9/2009	Emission measurement from 2009
EN 16510-1:2018	31/7/2018	Emission measurement methods 2018 onwards

Limit values:

η_s [%] Seasonal Heating efficiency	CO [mg/m ³] (13% O ₂)	PM [mg/m ³] (13% O ₂)	NOx [mg/m ³] (13% O ₂)	C _{OGC} [mg/m ³] (13% O ₂)
68	625	27	96	48

Datum: 23/12-2021



Lars U. Borch, **Lotus Heating Systems A/S**

Living Technical Data

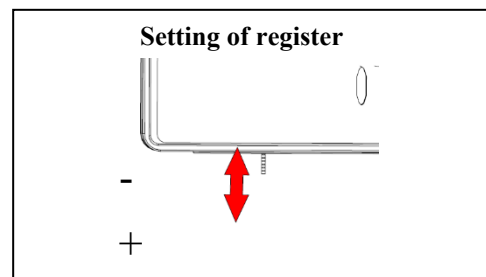
Technical Specifications					Safety distance to combustible Materials			
Type	Height mm	Width mm	Depth mm	Weight kg	A* mm	B* mm	C* mm	In front of mm
Living	498	915	500	161	170	150	170	1100

Schedule calculation for the chimney

* See page 14

Type	Flue PA	Combustion air requirement m3/h	Flue Gas Mass Flow (g/s)	Flue Gas Temperature	Rate of Efficiency %	Rated output kW
Living	12	20	7,6 m	310°	80,5	7

Wood quantity at kindling and filling	
Kindling Wood	Wood
2,0 kg	1,5 - 2,1 kg



Product Fiche

Name or trademark	<i>Lotus</i>	Notes
Model identifier	<i>Living</i>	
Energy efficiency class	<i>A+</i>	
Direct heat output	<i>7,0 kW</i>	-meaning the space heat output according to the product standard -rounded to the nearest one decimal place
Energy efficiency index (EEI)	<i>108</i>	- rounded to the <u>nearest integer</u> : -calculation with EEI-calculator ²
Energy efficiency at nominal heat output	<i>80,5 %</i>	-Efficiency at nominal heat output according to the product standard (rounded to the nearest one decimal place)
Specific precautions that shall be taken when assembling, installing or maintaining the local space heater.	Selected examples: - Fire protection and safety distances such as distances to combustible building materials must be observed! - An adequate supply of combustion air for the appliance must be guaranteed at all times. Air-suction systems can interfere with the combustion air supply!	

Declaration of conformity

This manufacturer's declaration confirms the compliance with the requirements of Regulation (EU) 2015/1185 and the notification in the Official Journal 2017 / C 076/02 of the European Commission.

Manufacturer	Lotus Heating Systems A/S, Agertoften 6, 5550 Langeskov. +45 63237070
Product type	Room heater for solid fuel (wood logs only)
Model identifier	Lotus Living
Dokumentation	www.lotusstoves.com
Requirements	EN 13240 2001/A2 2004/AC 2007

EU Union legislation:

Reference	Date	Title
Top level directives and regulations		
DIR 2009/125/EC	21/10/2009	Energy Related Products Directive (ecodesign)
REG (EU) 305/2011	9/3/2011	Construction Products Regulation (CPR)
REG (EU) 2017/1369	4/7/2017	Energy Labelling Regulation
Implementation measures incl regulations and delegated acts		
(EU) 2015/1186 (EL)	24/4/2015	Energy labelling delegated act on Room heaters
(EU) 2015/1185 (ED)	24/4/2015	Ecodesign regulation on Room heaters
2017/C 076/02	10/3/2017	COM Transitional methods OJ EU C76 Vol 60
Harmonized standards, other standards and technical specifications		
EN 13240:2001	7/4/2001	Room heaters fired by solid fuel
EN 13240/A2:2004	28/10/2004	Harmonization of EN13240 by Annex ZA
prEN 16510-1 (2013 ed)	January 2013	Emission measurement methods prior to 2018
CEN/TS 15883	8/9/2009	Emission measurement from 2009
EN 16510-1:2018	31/7/2018	Emission measurement methods 2018 onwards

Limit values:

η_s [%] Seasonal Heating efficiency	CO [mg/m ³] (13% O ₂)	PM [mg/m ³] (13% O ₂)	NOx [mg/m ³] (13% O ₂)	C _{OGC} [mg/m ³] (13% O ₂)
70,5%	1250	19,4	135	89

Datum: 23/12-2021



Lars U. Borch, Lotus Heating Systems A/S

Maestro 1-2 Technical Data

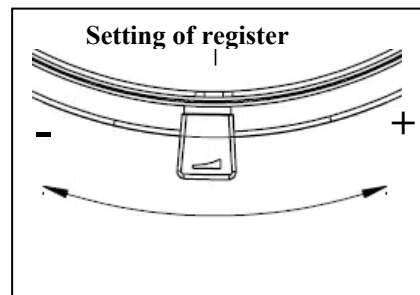
Technical Specifications					Safety distance to combustible Materials			
Type	Height mm	Width mm	Depth mm	Weight kg	A* mm	B* mm	C* mm	In front mm
Maestro 1	1233	560	560	420	220	100	220	800
Maestro 2	1543	560	560	530	220	100	220	800

Schedule calculation for the chimney

* See page 14

Type	Flue PA	Combustion air requirement m ³ /h	Flue Gas Mass Flow (g /s)	Flue Gas Temperature	Rate of Efficiency %	Rated output kW
Maestro 1	12	18	6,2 m	300°	82	6
Maestro 2	12	18	6,2 m	300°	82	6

Wood quantity at kindling and filling	
Kindling Wood	Wood
2,0–2,5 kg	2,5 kg



Product Fiche

Name or trademark	Lotus	Notes
Model identifier	Maestro 1-2	
Energy efficiency class	A+	
Direct heat output	6 kW	-meaning the space heat output according to the product standard -rounded to the nearest one decimal place
Energy efficiency index (EEI)	110	- rounded to the <u>nearest integer</u> : -calculation with EEI-calculator ²
Energy efficiency at nominal heat output	82 %	-Efficiency at nominal heat output according to the product standard (rounded to the nearest one decimal place)
Specific precautions that shall be taken when assembling, installing or maintaining the local space heater.	Selected examples: - Fire protection and safety distances such as distances to combustible building materials must be observed! - An adequate supply of combustion air for the appliance must be guaranteed at all times. Air-suction systems can interfere with the combustion air supply!	

Maestro Series Technical Data

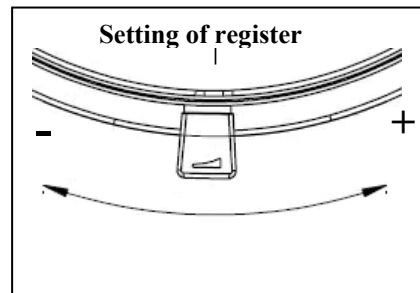
Technical Specifications					Safety distance to combustible Materials			
Type	Height mm	Width mm	Depth mm	Weight kg	A* mm	B* mm	C* mm	In front of mm
Maestro 152 S	1533	560	560	510	220	100	220	800
Maestro 152 IN	1533	560	560	510	220	100	220	800

Schedule calculation for the chimney

* See page 14

Type	Flue PA	Combustion air requirement m ³ /h	Flue Gas Mass Flow (g/s)	Flue Gas Temperature	Rate of Efficiency %	Rated output kW
Maestro 152 S	12	18	5,16 m	270°	83,5	6
Maestro 152 IN	12	18	5,16 m	270°	83,5	6

Wood quantity at kindling and filling	
Kindling Wood	Wood
2,0–2,5 kg	2,5 kg



Product Fiche

Name or trademark	Lotus	Notes
Model identifier	Maestro Series	
Energy efficiency class	A+	
Direct heat output	6,0 kW	-meaning the space heat output according to the product standard -rounded to the nearest one decimal place
Energy efficiency index (EEI)	112	- rounded to the <u>nearest integer</u> : -calculation with EEI-calculator ²
Energy efficiency at nominal heat output	83,5 %	-Efficiency at nominal heat output according to the product standard (rounded to the nearest one decimal place)
Specific precautions that shall be taken when assembling, installing or maintaining the local space heater.	Selected examples: - Fire protection and safety distances such as distances to combustible building materials must be observed! - An adequate supply of combustion air for the appliance must be guaranteed at all times. Air-suction systems can interfere with the combustion air supply!	

Maestro 2-152 EN 15250 Technical Data

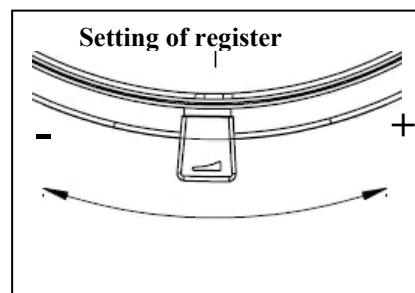
Technical Data					Safety distance to combustible Materials			
Type	Height mm	Width mm	Depth mm	Weight kg	A* mm	B* mm	C* mm	Front mm
Maestro 2	1543	560	560	530	220	100	220	800
Maestro 152	1533	560	560	510	220	100	220	800

* See page 14

Schedule calculation for the chimney

Type	Flue PA	Combustion air requirement M3/h	Flue gas Mass flow (g/s)	Flue gas temperature	Rate of Efficiency %	Rated output Mj
Maestro 2	12	18	7.6 m	217°	81	107
Maestro 152	12	18	7.6 m	217°	81	107

Wood quantity at kindling and filling	
Kindling Wood	Wood
2.0-2.5 kg	2.5 kg



Product data sheet

Name or Trademark	Lotus	Notes
Model identifier	Maestro 2-152	
Energy efficiency class	A+	
Direct heat output	2.2 kW	-meaning the space heat output according to the product standard -rounded to the nearest one decimal place
Energy Efficiency Index (EEI)	109	- rounded to the nearest integer: -calculation with EEI-calculator ²
Energy efficiency at nominal heat output	81%	-Efficiency at nominal heat output according to the product standard (rounded to the nearest one decimal place)
Specific precautions that shall be taken when assembling, installing or maintaining the local space heater.	Selected examples: - Fire protection and safety distances such as distances to combustible building materials must be observed! - An adequate supply of combustion air for the appliance must be guaranteed at all times. Air-suction systems can interfere with the combustion air supply!	

Declaration of conformity

This manufacturer's declaration confirms the compliance with the requirements of Regulation (EU) 2015/1185 and the notification in the Official Journal 2017 / C 076/02 of the European Commission.

Manufacturer	Lotus Heating Systems A/S, Agertofte 6, 5550 Langeskov. +45 63237070
Product type	Room heater for solid fuel (wood logs only)
Model identifier	Lotus Maestro 1, 2, 152
Dokumentation	www.lotusstoves.com
Requirements	EN 13240 2001/A2 2004/AC 2007

EU Union legislation:

Reference	Date	Title
Top level directives and regulations		
DIR 2009/125/EC	21/10/2009	Energy Related Products Directive (codesign)
REG (EU) 305/2011	9/3/2011	Construction Products Regulation (CPR)
REG (EU) 2017/1369	4/7/2017	Energy Labelling Regulation
Implementation measures incl regulations and delegated acts		
(EU) 2015/1186 (EL)	24/4/2015	Energy labelling delegated act on Room heaters
(EU) 2015/1185 (ED)	24/4/2015	Ecodesign regulation on Room heaters
2017/C 076/02	10/3/2017	COM Transitional methods OJ EU C76 Vol 60
Harmonized standards, other standards and technical specifications		
EN 13240:2001	7/4/2001	Room heaters fired by solid fuel
EN 13240/A2:2004	28/10/2004	Harmonization of EN13240 by Annex ZA
prEN 16510-1 (2013 ed)	January 2013	Emission measurement methods prior to 2018
CEN/TS 15883	8/9/2009	Emission measurement from 2009
EN 16510-1:2018	31/7/2018	Emission measurement methods 2018 onwards

Limit values:

η_s [%] Seasonal Heating efficiency	CO [mg/m ³] (13% O ₂)	PM [mg/m ³] (13% O ₂)	NOx [mg/m ³] (13% O ₂)	C _{OGC} [mg/m ³] (13% O ₂)
71%	1000	31	83	62
*72%	625	27	104	48

Datum: 23/12-2021



Lars U. Borch, **Lotus Heating Systems A/S**

***Maestro 1-2**

Mira Series Technical Data.

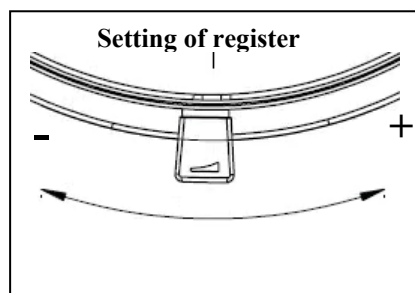
Technical Specifications					Safety distance to combustible Materials			
Type	Height mm	Width mm	Depth mm	Weight kg	A* mm	B* mm	C* mm	In front of mm
Mira 3	1082	471	385	117	420	170	420	1000
Mira 4	1082	471	385	117	420	170	420	1000

Schedule calculation for the chimney

* See page 14

Type	Flue PA	Combustion air Requirement m ³ /h	Flue Gas Mass Flow (g/s)	Flue Gas Temperature	Rate of Efficiency %	Rated output kW
Mira 3	12	15	4,6 m	330°	78	5
Mira 4	12	15	4,6m	330°	78	5

Wood quantity at kindling and filling	
Kindling Wood	Wood
2,0 kg	2,1 kg



Product Fiche

Name or trademark	Lotus	Notes
Model identifier	Mira Series	
Energy efficiency class	A	
Direct heat output	5 kW	-meaning the space heat output according to the product standard -rounded to the nearest one decimal place
Energy efficiency index (EEI)	104	- rounded to the <u>nearest integer</u> : -calculation with EEI-calculator ²
Energy efficiency at nominal heat output	78 %	-Efficiency at nominal heat output according to the product standard (rounded to the nearest one decimal place)
Specific precautions that shall be taken when assembling, installing or maintaining the local space heater.	Selected examples: - Fire protection and safety distances such as distances to combustible building materials must be observed! - An adequate supply of combustion air for the appliance must be guaranteed at all times. Air-suction systems can interfere with the combustion air supply!	

Declaration of conformity

This manufacturer's declaration confirms the compliance with the requirements of Regulation (EU) 2015/1185 and the notification in the Official Journal 2017 / C 076/02 of the European Commission.

Manufacturer	Lotus Heating Systems A/S, Agertoften 6, 5550 Langeskov. +45 63237070
Product type	Room heater for solid fuel (wood logs only)
Model identifier	Lotus Mira 3, Mira 4
Dokumentation	www.lotusstoves.com
Requeirements	EN 13240 2001/A2 2004/AC 2007

EU Union legislation:

Reference	Date	Title
Top level directives and regulations		
DIR 2009/125/EC	21/10/2009	Energy Related Products Directive (ecodesign)
REG (EU) 305/2011	9/3/2011	Construction Products Regulation (CPR)
REG (EU) 2017/1369	4/7/2017	Energy Labelling Regulation
Implementation measures incl regulations and delegated acts		
(EU) 2015/1186 (EL)	24/4/2015	Energy labelling delegated act on Room heaters
(EU) 2015/1185 (ED)	24/4/2015	Ecodesign regulation on Room heaters
2017/C 076/02	10/3/2017	COM Transitional methods OJ EU C76 Vol 60
Harmonized standards, other standards and technical specifications		
EN 13240:2001	7/4/2001	Room heaters fired by solid fuel
EN 13240/A2:2004	28/10/2004	Harmonization of EN13240 by Annex ZA
prEN 16510-1 (2013 ed)	January 2013	Emission measurement methods prior to 2018
CEN/TS 15883	8/9/2009	Emission measurement from 2009
EN 16510-1:2018	31/7/2018	Emission measurement methods 2018 onwards

Limit values:

η_s [%] Seasonal Heating efficiency	CO [mg/m ³] (13% O ₂)	PM [mg/m ³] (13% O ₂)	NOx [mg/m ³] (13% O ₂)	C _{OGC} [mg/m ³] (13% O ₂)
68%	625	27	96	48

Datum: 23/12-2021



Lars U. Borch, **Lotus Heating Systems A/S**

Mondo 3 Series Technical Data

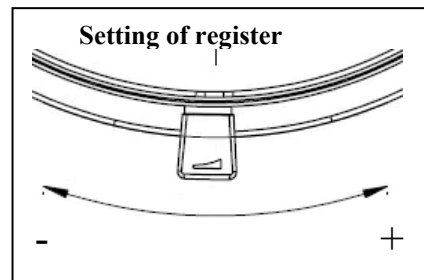
Technical Specifications					Safety distance to combustible Materials			
Type	Height mm	Width mm	Depth mm	Weight kg	A* mm	B* mm	C* mm	In front of mm
Mondo 3	992	480	412	112	310	200	360	1200
Mondo 3 S	992	480	412	153	310	200	360	1200
Mondo 3 M	1231	480	412	209	310	200	360	1200

Schedule calculation for the chimney


* See page 14

Type	Flue PA	Combustion air requirement m ³ /h	Flue Gas Mass Flow (g/s)	Flue Gas Temperature	Rate of Efficiency %	Rated output kW
Mondo 3	12	15	4,9 m	359°	78,8	5
Mondo 3 S	12	15	4,9 m	359°	78,8	5
Mondo 3 M	12	15	4,9 m	359°	78,8	5

Wood quantity at kindling and filling	
Kindling Wood	Wood
2,0 kg	1,5-1,8 kg



Product Fiche

Name or trademark	<i>Lotus</i>	Notes
Model identifier	<i>Mondo 3</i>	
Energy efficiency class	<i>A</i>	
Direct heat output	<i>5,0 kW</i>	-meaning the space heat output according to the product standard -rounded to the nearest one decimal place
Energy efficiency index (EEI)	<i>105</i>	- rounded to the <u>nearest integer</u> : -calculation with EEI-calculator ² 
Energy efficiency at nominal heat output	<i>79,0 %</i>	-Efficiency at nominal heat output according to the product standard (rounded to the nearest one decimal place)
Specific precautions that shall be taken when assembling, installing or maintaining the local space heater.	Selected examples: - Fire protection and safety distances such as distances to combustible building materials must be observed! - An adequate supply of combustion air for the appliance must be guaranteed at all times. Air-suction systems can interfere with the combustion air supply!	

Mondo 30-3G Series Technical Data

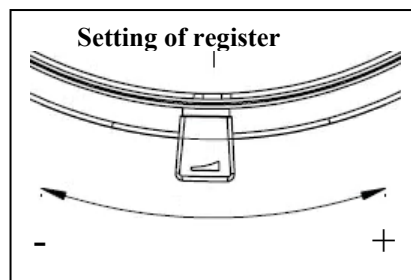
Technical Specifications					Safety distance to combustible Materials			
Type	Height mm	Width mm	Depth mm	Weight kg	A* mm	B* mm	C* mm	In front of mm
Mondo 3 G	992	480	412	118	600	180	600	1000
Mondo 30	992	480	412	120	250	180	250	1150
Mondo 30 S	992	480	412	161	250	180	250	1150
Mondo 30 M	1231	480	412	217	250	180	250	1150

*Schedule calculation for the chimney

* See page 14

Type	Flue PA	Combustion air requirement m3/h	Flue Gas Mass Flow (g/s)	Flue Gas Temperature	Rate of Efficiency %	Rated output kW
Mondo 30-3 G	12	18	5,5 m	329°	80	5,9
Mondo 30 S M	12	18	5,5 m	329°	80	5,9

Wood quantity at kindling and filling	
Kindling Wood	Wood
1,8-2,0 kg	1,4 kg



Product Fiche

Name or trademark	<i>Lotus</i>	Notes
Model identifier	<i>Mondo 30- 3G</i>	
Energy efficiency class	<i>A +</i>	
Direct heat output	<i>5,9 kW</i>	-meaning the space heat output according to the product standard -rounded to the nearest one decimal place
Energy efficiency index (EEI)	<i>107</i>	- rounded to the <u>nearest integer</u> : -calculation with EEI-calculator ²
Energy efficiency at nominal heat output	<i>80 %</i>	-Efficiency at nominal heat output according to the product standard (rounded to the nearest one decimal place)
Specific precautions that shall be taken when assembling, installing or maintaining the local space heater.	Selected examples: - <i>Fire protection and safety distances such as distances to combustible building materials must be observed!</i> - <i>An adequate supply of combustion air for the appliance must be guaranteed at all times. Air-suction systems can interfere with the combustion air supply!</i>	

Declaration of conformity

This manufacturer's declaration confirms the compliance with the requirements of Regulation (EU) 2015/1185 and the notification in the Official Journal 2017 / C 076/02 of the European Commission.

Manufacturer	Lotus Heating Systems A/S, Agertoften 6, 5550 Langeskov. +45 63237070
Product type	Room heater for solid fuel (wood logs only)
Model identifier	Lotus Mondo 3G, Mondo 30
Dokumentation	www.lotusstoves.com
Requirements	EN 13240 2001/A2 2004/AC 2007

EU Union legislation:

Reference	Date	Title
Top level directives and regulations		
DIR 2009/125/EC	21/10/2009	Energy Related Products Directive (codesign)
REG (EU) 305/2011	9/3/2011	Construction Products Regulation (CPR)
REG (EU) 2017/1369	4/7/2017	Energy Labelling Regulation
Implementation measures incl regulations and delegated acts		
(EU) 2015/1186 (EL)	24/4/2015	Energy labelling delegated act on Room heaters
(EU) 2015/1185 (ED)	24/4/2015	Ecodesign regulation on Room heaters
2017/C 076/02	10/3/2017	COM Transitional methods OJ EU C76 Vol 60
Harmonized standards, other standards and technical specifications		
EN 13240:2001	7/4/2001	Room heaters fired by solid fuel
EN 13240/A2:2004	28/10/2004	Harmonization of EN13240 by Annex ZA
prEN 16510-1 (2013 ed)	January 2013	Emission measurement methods prior to 2018
CEN/TS 15883	8/9/2009	Emission measurement from 2009
EN 16510-1:2018	31/7/2018	Emission measurement methods 2018 onwards

Limit values:

η_s [%] Seasonal Heating efficiency	CO [mg/m ³] (13% O ₂)	PM [mg/m ³] (13% O ₂)	NOx [mg/m ³] (13% O ₂)	C _{OGC} [mg/m ³] (13% O ₂)
70%	875	70	114	68

Datum: 23/12-2021



Lars U. Borch, **Lotus Heating Systems A/S**

M Series Technical Data

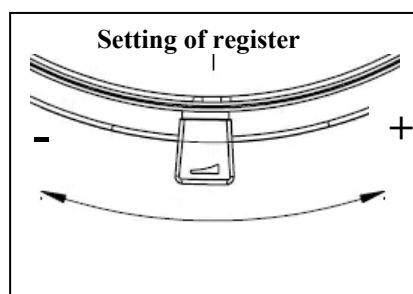
Technical Specifications					Safety distance to combustible Materials			
Type	Height mm	Width mm	Depth mm	Weight kg	A* mm	B* mm	C* mm	In front of mm
M1	1140	570	570	435	100	100	100	850
M2	1450	570	570	545	100	100	100	850
M3/M4	1760	570	570	655	100	100	100	850
M2ST	1410	560	560	465	100	100	100	850
M-Basic	1298	570	570	431	100	100	100	850

Schedule calculation for the chimney

* See page 14

Type	Flue PA	Combustion air requirement m ³ /h	Flue Gas Mass Flow (g/s)	Flue Gas Temperature	Rate of Efficiency %	Rated output kW
M1	12	18	6,2 m	300°	81,9	6
M2	12	18	6,2 m	300°	81,9	6
M3/M4	12	18	6,2 m	300°	81,9	6
M2ST	12	18	6,2 m	300°	81,9	6
M-Basic	12	18	6,2 m	300°	81,9	6

Wood quantity at kindling and filling	
Kindling Wood	Wood
2,0–2,5 kg	2,5 kg



Product Fiche

Name or trademark	<i>Lotus</i>	Notes
Model identifier	<i>M- Series M2ST</i>	
Energy efficiency class	<i>A+</i>	
Direct heat output	<i>6 kW</i>	-meaning the space heat output according to the product standard -rounded to the nearest one decimal place
Energy efficiency index (EEI)	<i>110</i>	- rounded to the <u>nearest integer</u> ; -calculation with EEI-calculator ²
Energy efficiency at nominal heat output	<i>81,9%</i>	-Efficiency at nominal heat output according to the product standard (rounded to the nearest one decimal place)
Specific precautions that shall be taken when assembling, installing or maintaining the local space heater.	Selected examples: - Fire protection and safety distances such as distances to combustible building materials must be observed! - An adequate supply of combustion air for the appliance must be guaranteed at all times. Air-suction systems can interfere with the combustion air supply!	

Declaration of conformity

This manufacturer's declaration confirms the compliance with the requirements of Regulation (EU) 2015/1185 and the notification in the Official Journal 2017 / C 076/02 of the European Commission.

Manufacturer	Lotus Heating Systems A/S, Agertoften 6, 5550 Langeskov. +45 63237070
Product type	Room heater for solid fuel (wood logs only)
Model identifier	Lotus M1, M2, M3, M-Basic
Dokumentation	www.lotusstoves.com
Requeirements	EN 13240 2001/A2 2004/AC 2007

EU Union legislation:

Reference	Date	Title
Top level directives and regulations		
DIR 2009/125/EC	21/10/2009	Energy Related Products Directive (codesign)
REG (EU) 305/2011	9/3/2011	Construction Products Regulation (CPR)
REG (EU) 2017/1369	4/7/2017	Energy Labelling Regulation
Implementation measures incl regulations and delegated acts		
(EU) 2015/1186 (EL)	24/4/2015	Energy labelling delegated act on Room heaters
(EU) 2015/1185 (ED)	24/4/2015	Ecodesign regulation on Room heaters
2017/C 076/02	10/3/2017	COM Transitional methods OJ EU C76 Vol 60
Harmonized standards, other standards and technical specifications		
EN 13240:2001	7/4/2001	Room heaters fired by solid fuel
EN 13240/A2:2004	28/10/2004	Harmonization of EN13240 by Annex ZA
prEN 16510-1 (2013 ed)	January 2013	Emission measurement methods prior to 2018
CEN/TS 15883	8/9/2009	Emission measurement from 2009
EN 16510-1:2018	31/7/2018	Emission measurement methods 2018 onwards

Limit values:

η_s [%] Seasonal Heating efficiency	CO [mg/m ³] (13% O ₂)	PM [mg/m ³] (13% O ₂)	NOx [mg/m ³] (13% O ₂)	C _{OGC} [mg/m ³] (13% O ₂)
71,9%	1125	24	104	48

Datum: 23/12-2021



Lars U. Borch, **Lotus Heating Systems A/S**

Prestige Series Technical Data

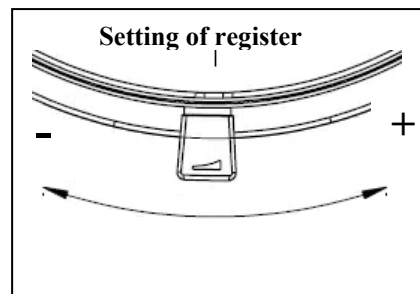
Technical Specifications					Safety distance to combustible Materials			
Type	Height mm	Width mm	Depth mm	Weight kg	A* mm	B* mm	C* mm	In front of mm
Prestige Basic	1070	470	380	127	250	150	250	800
Prestige Basic S	1090	470	380	147	250	150	250	800
Prestige M	1220	550	470	356	250	150	250	800
Prestige MST	1220	550	470	326	250	150	250	800
Prestige Magic 40	1220	480	480	149	250	150	250	800
Prestige S	1470	500	500	343	250	150	250	800

Schedule calculation for the chimney

* See page 14

Type	Flue PA	Combustion air requirement m ³ /h	Flue Gas Mass Flow (g/s)	Flue Gas Temperature	Rate of Efficiency %	Rated output kW
Prestige Basic	12	15	4,3 m	335°	80	5
Prestige Basic S	12	15	4,3 m	335°	80	5
Prestige M	12	15	4,3 m	335°	80	5
Prestige MST	12	15	4,3 m	335°	80	5
Prestige Magic 40	12	15	4,3 m	335°	80	5
Prestige S	12	15	4,3 m	335°	80	5

Wood quantity at kindling and filling	
Kindling Wood	Wood
2,0 kg	2,1 kg



Product Fiche

Name or trademark	Lotus	Notes
Model identifier	<i>Prestige Series</i>	
Energy efficiency class	<i>A+</i>	
Direct heat output	<i>5 kW</i>	-meaning the space heat output according to the product standard -rounded to the nearest one decimal place
Energy efficiency index (EEI)	<i>107</i>	- rounded to the <u>nearest integer</u> : -calculation with EEI-calculator ²
Energy efficiency at nominal heat output	<i>80 %</i>	-Efficiency at nominal heat output according to the product standard (rounded to the nearest one decimal place)
Specific precautions that shall be taken when assembling, installing or maintaining the local space heater.	Selected examples: - Fire protection and safety distances such as distances to combustible building materials must be observed! - An adequate supply of combustion air for the appliance must be guaranteed at all times. Air-suction systems can interfere with the combustion air supply!	

Declaration of conformity

This manufacturer's declaration confirms the compliance with the requirements of Regulation (EU) 2015/1185 and the notification in the Official Journal 2017 / C 076/02 of the European Commission.

Manufacturer	Lotus Heating Systems A/S, Agertoften 6, 5550 Langeskov. +45 63237070
Product type	Room heater for solid fuel (wood logs only)
Model identifier	Lotus Prestige Basic, M, MST, Prestige Magic 40
Dokumentation	www.lotusstoves.com
Requeirements	EN 13240 2001/A2 2004/AC 2007

EU Union legislation:

Reference	Date	Title
Top level directives and regulations		
DIR 2009/125/EC	21/10/2009	Energy Related Products Directive (ecodesign)
REG (EU) 305/2011	9/3/2011	Construction Products Regulation (CPR)
REG (EU) 2017/1369	4/7/2017	Energy Labelling Regulation
Implementation measures incl regulations and delegated acts		
(EU) 2015/1186 (EL)	24/4/2015	Energy labelling delegated act on Room heaters
(EU) 2015/1185 (ED)	24/4/2015	Ecodesign regulation on Room heaters
2017/C 076/02	10/3/2017	COM Transitional methods OJ EU C76 Vol 60
Harmonized standards, other standards and technical specifications		
EN 13240:2001	7/4/2001	Room heaters fired by solid fuel
EN 13240/A2:2004	28/10/2004	Harmonization of EN13240 by Annex ZA
prEN 16510-1 (2013 ed)	January 2013	Emission measurement methods prior to 2018
CEN/TS 15883	8/9/2009	Emission measurement from 2009
EN 16510-1:2018	31/7/2018	Emission measurement methods 2018 onwards

Limit values:

η_s [%] Seasonal Heating efficiency	CO [mg/m ³] (13% O ₂)	PM [mg/m ³] (13% O ₂)	NOx [mg/m ³] (13% O ₂)	C _{OGC} [mg/m ³] (13% O ₂)
70%	875	19	61 *97	36

Datum: 23/12-2021



Lars U. Borch, **Lotus Heating Systems A/S**

Prio Series Technical Data

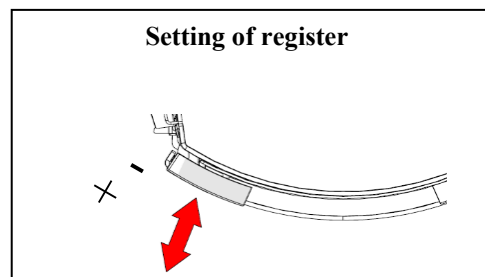
Type	Height mm	Width mm	Depth mm	Weight kg	A* mm	B* mm	C* mm	In front of mm
Prio 5-Prio 6	1120	550	460	164	200	150	200	800
Prio 5S	1120	550	460	239	200	150	200	800
Prio 6S	1120	550	460	226	200	150	200	800
Prio 7	1472	550	460	212	200	150	200	800
Prio 7 M	1492	540	460	310	200	150	200	800
Prio M	1485	550	460	257	200	150	200	800

Schedule calculation for the chimney

* See page 14

Type	Flue PA	Combustion air requirement m ³ /h	Flue Gas Mass Flow (g/s)	Flue Gas Temperature	Rate of Efficiency %	Rated output kW
Prio 5-Prio 6	12	20	7,1 m	310°	78,6	7
Prio 5S	12	20	7,1 m	310°	78,6	7
Prio 6S	12	20	7,1 m	310°	78,6	7
Prio 7	12	20	7,1 m	310°	78,6	7
Prio 7 M	12	20	7,1 m	310°	78,6	7
Prio M	12	20	7,1 m	310°	78,6	7

Wood quantity at kindling and filling	
Kindling Wood	Wood
2,0 kg	2,1 kg



Product Fiche

Name or trademark	<i>Lotus</i>	Notes
Model identifier	<i>Prio Series</i>	
Energy efficiency class	<i>A</i>	
Direct heat output	<i>7 kW</i>	-meaning the space heat output according to the product standard -rounded to the nearest one decimal place
Energy efficiency index (EEI)	<i>105</i>	- rounded to the <u>nearest integer</u> : -calculation with EEI-calculator ²
Energy efficiency at nominal heat output	<i>78,6 %</i>	-Efficiency at nominal heat output according to the product standard (rounded to the nearest one decimal place)
Specific precautions that shall be taken when assembling, installing or maintaining the local space heater.	Selected examples: - Fire protection and safety distances such as distances to combustibile building materials must be observed! - An adequate supply of combustion air for the appliance must be guaranteed at all times. Air-suction systems can interfere with the combustion air supply!	

Declaration of conformity

This manufacturer's declaration confirms the compliance with the requirements of Regulation (EU) 2015/1185 and the notification in the Official Journal 2017 / C 076/02 of the European Commission.

Manufacturer	Lotus Heating Systems A/S, Agertofte 6, 5550 Langeskov. +45 63237070
Product type	Room heater for solid fuel (wood logs only)
Model identifier	Lotus Prio 5, 6, 7
Dokumentation	www.lotusstoves.com
Requirements	EN 13240 2001/A2 2004/AC 2007

EU Union legislation:

Reference	Date	Title
Top level directives and regulations		
DIR 2009/125/EC	21/10/2009	Energy Related Products Directive (codesign)
REG (EU) 305/2011	9/3/2011	Construction Products Regulation (CPR)
REG (EU) 2017/1369	4/7/2017	Energy Labelling Regulation
Implementation measures incl regulations and delegated acts		
(EU) 2015/1186 (EL)	24/4/2015	Energy labelling delegated act on Room heaters
(EU) 2015/1185 (ED)	24/4/2015	Ecodesign regulation on Room heaters
2017/C 076/02	10/3/2017	COM Transitional methods OJ EU C76 Vol 60
Harmonized standards, other standards and technical specifications		
EN 13240:2001	7/4/2001	Room heaters fired by solid fuel
EN 13240/A2:2004	28/10/2004	Harmonization of EN13240 by Annex ZA
prEN 16510-1 (2013 ed)	January 2013	Emission measurement methods prior to 2018
CEN/TS 15883	8/9/2009	Emission measurement from 2009
EN 16510-1:2018	31/7/2018	Emission measurement methods 2018 onwards

Limit values:

η_s [%] Seasonal Heating efficiency	CO [mg/m ³] (13% O ₂)	PM [mg/m ³] (13% O ₂)	NOx [mg/m ³] (13% O ₂)	C _{OGC} [mg/m ³] (13% O ₂)
68,6%	1125	28	103	42,9

Datum: 23/12-2021



Lars U. Borch, **Lotus Heating Systems A/S**

Style 370 Technical Data

Technical Specifications					Safety distance to combustible Materials			
Type	Height mm	Width mm	Depth mm	Weight kg	A* mm	B* mm	C* mm	In front of mm
Style 370 S	927	718	350	145	250	250	250	1400**
Style 370 IN	927	718	350	145	250	250	250	1400**
Style 370 LI	927	718	350	143	250	250	250	1400**

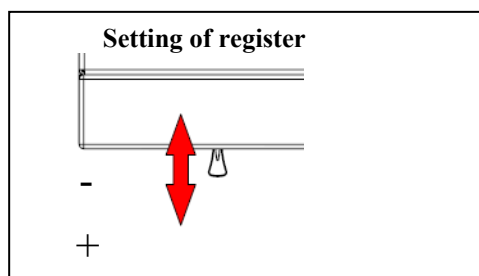
*See page 14

** Se next page

Schedule calculation for the chimney

Type	Flue PA	Combustion air requirement m3/h	Flue Gas Mass Flow (g/s)	Flue Gas Temperature	Rate of Efficiency %	Rated output kW
Style 370 S	12	18	5,5 m	302°	77	5,8
Style 370 IN	12	18	5,5 m	302°	77	5,8
Style 370 LI	12	18	5,5 m	302°	77	5,8

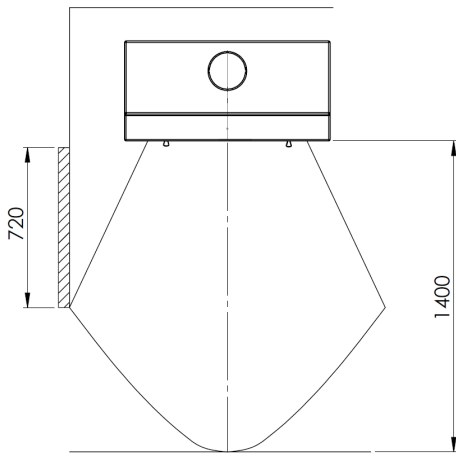
Wood quantity at kindling and filling	
Kindling Wood	Wood
1,3 kg	1,4 kg



Product Fiche

Name or trademark	Lotus	Notes
Model identifier	Style 370	
Energy efficiency class	A	
Direct heat output	5,8 kW	-meaning the space heat output according to the product standard -rounded to the nearest one decimal place
Energy efficiency index (EEI)	103	- rounded to the <u>nearest integer</u> : -calculation with EEI-calculator ²
Energy efficiency at nominal heat output	77 %	-Efficiency at nominal heat output according to the product standard (rounded to the nearest one decimal place)
Specific precautions that shall be taken when assembling, installing or maintaining the local space heater.	Selected examples: - Fire protection and safety distances such as distances to combustible building materials must be observed! - An adequate supply of combustion air for the appliance must be guaranteed at all times. Air-suction systems can interfere with the combustion air supply!	

****Safety clearances to combustibile materials**



Note: There must be no combustibile materials within the hatched area.

Please note: No combustibile materials must be present in the tray under the firebox

Declaration of conformity

This manufacturer's declaration confirms the compliance with the requirements of Regulation (EU) 2015/1185 and the notification in the Official Journal 2017 / C 076/02 of the European Commission.

Manufacturer	Lotus Heating Systems A/S, Agertoften 6, 5550 Langeskov. +45 63237070
Product type	Room heater for solid fuel (wood logs only)
Model identifier	Lotus Style 370
Dokumentation	www.lotusstoves.com
Requeirements	EN 13240 2001/A2 2004/AC 2007

EU Union legislation:

Reference	Date	Title
Top level directives and regulations		
DIR 2009/125/EC	21/10/2009	Energy Related Products Directive (codesign)
REG (EU) 305/2011	9/3/2011	Construction Products Regulation (CPR)
REG (EU) 2017/1369	4/7/2017	Energy Labelling Regulation
Implementation measures incl regulations and delegated acts		
(EU) 2015/1186 (EL)	24/4/2015	Energy labelling delegated act on Room heaters
(EU) 2015/1185 (ED)	24/4/2015	Ecodesign regulation on Room heaters
2017/C 076/02	10/3/2017	COM Transitional methods OJ EU C76 Vol 60
Harmonized standards, other standards and technical specifications		
EN 13240:2001	7/4/2001	Room heaters fired by solid fuel
EN 13240/A2:2004	28/10/2004	Harmonization of EN13240 by Annex ZA
prEN 16510-1 (2013 ed)	January 2013	Emission measurement methods prior to 2018
CEN/TS 15883	8/9/2009	Emission measurement from 2009
EN 16510-1:2018	31/7/2018	Emission measurement methods 2018 onwards

Limit values:

η_s [%] Seasonal Heating efficiency	CO [mg/m ³] (13% O ₂)	PM [mg/m ³] (13% O ₂)	NOx [mg/m ³] (13% O ₂)	C _{OGC} [mg/m ³] (13% O ₂)
67%	1125	28	126	97

Datum: 23/12-2021



Lars U. Borch, **Lotus Heating Systems A/S**

Style 470W Technical Data

Technical Specifications					Safety distance to combustible Materials			
Type	Height mm	Width mm	Depth mm	Weight kg	A* mm	B* mm	C* mm	In front of mm
Style 470W S	927	930	450	194	250	150	250	1400**
Style 470W IN	927	930	450	194	250	150	250	1400**
Style 470W LI	927	930	450	190	250	150	250	1400**

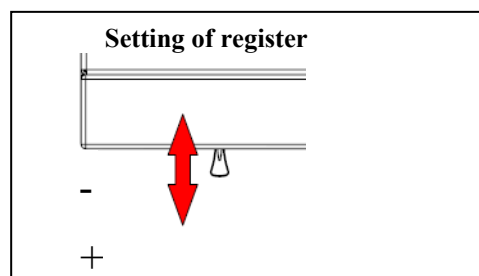
*See page 14

** See next page

Schedule calculation for the chimney

Type	Flue PA	Combustion air requirement m ³ /h	Flue Gas Mass Flow (g/s)	Flue Gas Temperature	Rate of Efficiency %	Rated output kW
Style 470W S	12	20	7,6 m	310°	81	7
Style 470W IN	12	20	7,6 m	310°	81	7
Style 470W LI	12	20	7,6 m	310°	81	7

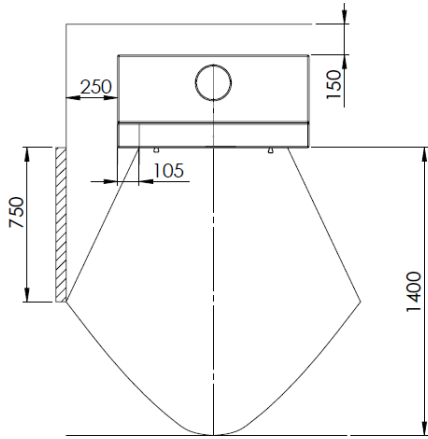
Wood quantity at kindling and filling	
Kindling Wood	Wood
2,0 kg	1,5-2,5 kg



Product Fiche

Name or trademark	<i>Lotus</i>	Notes
Model identifier	<i>Style 470W</i>	
Energy efficiency class	<i>A+</i>	
Direct heat output	<i>7 kW</i>	-meaning the space heat output according to the product standard -rounded to the nearest one decimal place
Energy efficiency index (EEI)	<i>109</i>	- rounded to the <u>nearest integer</u> : -calculation with EEI-calculator ²
Energy efficiency at nominal heat output	<i>81 %</i>	-Efficiency at nominal heat output according to the product standard (rounded to the nearest one decimal place)
Specific precautions that shall be taken when assembling, installing or maintaining the local space heater.	Selected examples: - Fire protection and safety distances such as distances to combustible building materials must be observed! - An adequate supply of combustion air for the appliance must be guaranteed at all times. Air-suction systems can interfere with the combustion air supply!	

****Safety clearances to combustible materials**



Note: There must be no combustible materials within the hatched area.

Declaration of conformity

This manufacturer's declaration confirms the compliance with the requirements of Regulation (EU) 2015/1185 and the notification in the Official Journal 2017 / C 076/02 of the European Commission.

Manufacturer	Lotus Heating Systems A/S, Agertoften 6, 5550 Langeskov. +45 63237070
Product type	Room heater for solid fuel (wood logs only)
Model identifier	Lotus Style 470W
Dokumentation	www.lotusstoves.com
Requirements	EN 13240 2001/A2 2004/AC 2007

EU Union legislation:

Reference	Date	Title
Top level directives and regulations		
DIR 2009/125/EC	21/10/2009	Energy Related Products Directive (ecodesign)
REG (EU) 305/2011	9/3/2011	Construction Products Regulation (CPR)
REG (EU) 2017/1369	4/7/2017	Energy Labelling Regulation
Implementation measures incl regulations and delegated acts		
(EU) 2015/1186 (EL)	24/4/2015	Energy labelling delegated act on Room heaters
(EU) 2015/1185 (ED)	24/4/2015	Ecodesign regulation on Room heaters
2017/C 076/02	10/3/2017	COM Transitional methods OJ EU C76 Vol 60
Harmonized standards, other standards and technical specifications		
EN 13240:2001	7/4/2001	Room heaters fired by solid fuel
EN 13240/A2:2004	28/10/2004	Harmonization of EN13240 by Annex ZA
prEN 16510-1 (2013 ed)	January 2013	Emission measurement methods prior to 2018
CEN/TS 15883	8/9/2009	Emission measurement from 2009
EN 16510-1:2018	31/7/2018	Emission measurement methods 2018 onwards

Limit values:

η_s [%] Seasonal Heating efficiency	CO [mg/m ³] (13% O ₂)	PM [mg/m ³] (13% O ₂)	NOx [mg/m ³] (13% O ₂)	C _{OGC} [mg/m ³] (13% O ₂)
71%	1250	19	135	89

Datum: 23/12-2021



Lars U. Borch, **Lotus Heating Systems A/S**

QM 40 Technical data

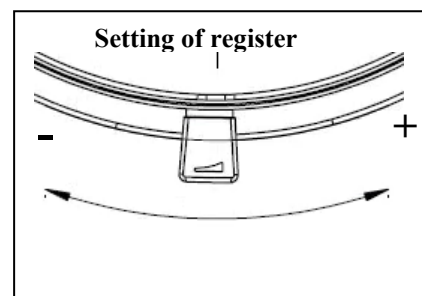
Technical Specifications					Safety distance to combustible Materials			
Type	Height mm	Width mm	Depth mm	Weight kg	A* mm	B* mm	C* mm	In front mm
QM 40	1558	520	475	586	150	50	150	1200
QM 40 EN150250	1558	520	475	586	150	50	150	1200

*See page 14

Schedule calculation for the chimney

Type	Flue PA	Combustion air requirement m3/h	Flue Gas Mass Flow (g/s)	Flue Gas Temperature	Rate of Efficiency %	Rated output kW
QM 40	12	18	6,1 m	274°	80	5,7
QM 40 EN150250	12	18	7,7 m	316°	78	108 MJ

Wood quantity at kindling and filling	
Kindling Wood	Wood
2,5 kg	1,2 kg



Product Fiche

Name or trademark	<i>Lotus</i>	Notes
Model identifier	<i>QM 40 /EN150250</i>	
Energy efficiency class	<i>A+ / A</i>	
Direct heat output	<i>5,7kW/2,2kW</i>	-meaning the space heat output according to the product standard -rounded to the nearest one decimal place
Energy efficiency index (EEI)	<i>107/104</i>	- rounded to the <u>nearest integer</u> : -calculation with EEI-calculator ²
Energy efficiency at nominal heat output	<i>80 %/ 78%</i>	-Efficiency at nominal heat output according to the product standard (rounded to the nearest one decimal place)
Specific precautions that shall be taken when assembling, installing or maintaining the local space heater.	Selected examples: - <i>Fire protection and safety distances such as distances to combustible building materials must be observed!</i> - <i>An adequate supply of combustion air for the appliance must be guaranteed at all times. Air-suction systems can interfere with the combustion air supply!</i>	

Declaration of conformity

This manufacturer's declaration confirms the compliance with the requirements of Regulation (EU) 2015/1185 and the notification in the Official Journal 2017 / C 076/02 of the European Commission.

Manufacturer	Lotus Heating Systems A/S, Agertoften 6, 5550 Langeskov. +45 63237070
Product type	Room heater for solid fuel (wood logs only)
Model identifier	Lotus QM40
Dokumentation	www.lotusstoves.com
Requirements	EN 13240 2001/A2 2004/AC 2007

EU Union legislation:

Reference	Date	Title
Top level directives and regulations		
DIR 2009/125/EC	21/10/2009	Energy Related Products Directive (ecodesign)
REG (EU) 305/2011	9/3/2011	Construction Products Regulation (CPR)
REG (EU) 2017/1369	4/7/2017	Energy Labelling Regulation
Implementation measures incl regulations and delegated acts		
(EU) 2015/1186 (EL)	24/4/2015	Energy labelling delegated act on Room heaters
(EU) 2015/1185 (ED)	24/4/2015	Ecodesign regulation on Room heaters
2017/C 076/02	10/3/2017	COM Transitional methods OJ EU C76 Vol 60
Harmonized standards, other standards and technical specifications		
EN 13240:2001	7/4/2001	Room heaters fired by solid fuel
EN 13240/A2:2004	28/10/2004	Harmonization of EN13240 by Annex ZA
prEN 16510-1 (2013 ed)	January 2013	Emission measurement methods prior to 2018
CEN/TS 15883	8/9/2009	Emission measurement from 2009
EN 16510-1:2018	31/7/2018	Emission measurement methods 2018 onwards

Limit values:

η_s [%] Seasonal Heating efficiency	CO [mg/m ³] (13% O ₂)	PM [mg/m ³] (13% O ₂)	NOx [mg/m ³] (13% O ₂)	C _{OGC} [mg/m ³] (13% O ₂)
70%	510	6	106	31

Datum: 23/12-2021



Lars U. Borch, **Lotus Heating Systems A/S**

Visto Series Technical Data

Technical Specifications					Safety distance to combustible Materials			
Type	Height mm	Width mm	Depth mm	Weight kg	A * mm	B* mm	C* mm	In front of mm
Visto L	1513	590	400	283	700	400	30	1000
Visto R	1513	590	400	283	400	700	30	1000
Visto 3	1513	548	400	259,5	700	700	30	1000

*See page 14

Schedule calculation for the chimney

Type	Flue PA	Combustion air requirement m ³ /h	Flue Gas Mass Flow (g/s)	Flue Gas Temperature	Rate of Efficiency %	Rated output kW
Visto L	12	15	7,3 m	246°	81,9	5,4
Visto R	12	15	7,3 m	246°	81,9	5,4
Visto 3	12	15	7,3 m	246°	81,9	5,4

Wood quantity at kindling and filling	
Kindling Wood	Wood
2,1 kg	1,5kg

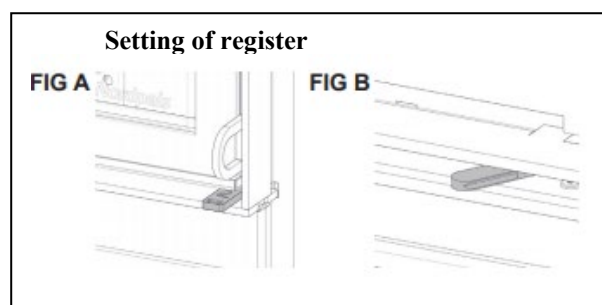



Fig A In=closed Out=Open

Fig B Left=closed Right=open

Product Fiche

Name or trademark	<i>Lotus</i>	Notes
Model identifier	<i>Visto L R 3</i>	
Energy efficiency class	<i>A+</i>	
Direct heat output	<i>5,4 kW</i>	-meaning the space heat output according to the product standard -rounded to the nearest one decimal place
Energy efficiency index (EEI)	<i>110</i>	- rounded to the <u>nearest integer</u> : -calculation with EEI-calculator ² 
Energy efficiency at nominal heat output	<i>82 %</i>	-Efficiency at nominal heat output according to the product standard (rounded to the nearest one decimal place)
Specific precautions that shall be taken when assembling, installing or maintaining the local space heater.	Selected examples: - Fire protection and safety distances such as distances to combustible building materials must be observed! - An adequate supply of combustion air for the appliance must be guaranteed at all times. Air-suction systems can interfere with the combustion air supply!	

Declaration of conformity

This manufacturer's declaration confirms the compliance with the requirements of Regulation (EU) 2015/1185 and the notification in the Official Journal 2017 / C 076/02 of the European Commission.

Manufacturer	Lotus Heating Systems A/S, Agertoften 6, 5550 Langeskov. +45 63237070
Product type	Room heater for solid fuel (wood logs only)
Model identifier	Lotus QM40
Dokumentation	www.lotusstoves.com
Requirements	EN 13240 2001/A2 2004/AC 2007

EU Union legislation:

Reference	Date	Title
Top level directives and regulations		
DIR 2009/125/EC	21/10/2009	Energy Related Products Directive (ecodesign)
REG (EU) 305/2011	9/3/2011	Construction Products Regulation (CPR)
REG (EU) 2017/1369	4/7/2017	Energy Labelling Regulation
Implementation measures incl regulations and delegated acts		
(EU) 2015/1186 (EL)	24/4/2015	Energy labelling delegated act on Room heaters
(EU) 2015/1185 (ED)	24/4/2015	Ecodesign regulation on Room heaters
2017/C 076/02	10/3/2017	COM Transitional methods OJ EU C76 Vol 60
Harmonized standards, other standards and technical specifications		
EN 13240:2001	7/4/2001	Room heaters fired by solid fuel
EN 13240/A2:2004	28/10/2004	Harmonization of EN13240 by Annex ZA
prEN 16510-1 (2013 ed)	January 2013	Emission measurement methods prior to 2018
CEN/TS 15883	8/9/2009	Emission measurement from 2009
EN 16510-1:2018	31/7/2018	Emission measurement methods 2018 onwards

Limit values:

η_s [%] Seasonal Heating efficiency	CO [mg/m ³] (13% O ₂)	PM [mg/m ³] (13% O ₂)	NOx [mg/m ³] (13% O ₂)	C _{OGC} [mg/m ³] (13% O ₂)
70%	510	6	106	31

Datum: 23/12-2021



Lars U. Borch, **Lotus Heating Systems A/S**

**00,
0
WARRANTY -
Lotus Stove - 10-year warranty**

This warranty covers Lotus stove model _____ with the
Production number _____ Purchased
on _____ .

Lotus stoves are thoroughly tested for safety, quality of materials and workmanship.
All models are covered by a warranty which begins from the date of installation.

The warranty covers faults attributed to faulty workmanship and material defects.

Lotus stoves are covered by a 10-year warranty only if installed by an authorised Lotus
dealer.

The warranty does not cover:

- Door and glass seals
- Ceramic glass
- Firebox lining
- Appearance of the surface structure or veining of natural stone
- Expansion noise

The warranty also does not cover:

- Damage through overheating
- Damage caused by external influences and the use of unsuitable fuels
- Failure to follow legally prescribed installation regulations or those recommended
by us including unauthorised stove modifications.
- Non-observance of service care

In the event of damage, contact your dealer. In case of a warranty claim, Lotus will
decide on the remedial measures. Repairs will be carried out professionally by Lotus
and its dealers.

The warranty will not be extended for claims made under the warranty or for
additionally delivered or repaired parts.

Enjoy using your new Lotus stove.

Yours
Lotus Heating Systems A/S
DK – 5550 Langeskov

Dealer:

Model identifier: *

Indirect heating function: N.A

Direct heat output: * kW

Local heating emissions at nominal heat output

[x] mg/Nm³ (13%O₂)

Emissions from local heating at minimal rated heat output

[x] mg/Nm³ (13%O₂)

Fuel	Preferred fuel	Other suitable fuel(s)	η _s [x%]:	Local heating emissions at nominal heat output				Emissions from local heating at minimal rated heat output			
				PM	OGC	CO	NOX	PM	OGC	CO	NOX
Wood logs, moisture content ≤ 25 %	yes	no	*	*	*	*	*	NA	NA	NA	NA
Compressed wood, moisture content < 12 % (e.g. according to ISO 17225-3)	no	no									
Other woody biomass	no	no									
Non-woody biomass	no	no									
Anthracite and dry steam coal	no	no									
Hard coke	no	no									
Low temperature coke	no	no									
Bituminous coal	no	no									
Lignite briquettes	no	no									
Peat briquettes	no	no									
Blended fossil fuel briquettes	no	no									
Other fossil fuel	no	no									
Blended biomass and fossil fuel briquettes	no	no									
Other blend of biomass and solid fuel	no	no									

Heat output	Symbol	Value	Unit
Nominal heat output	P nom	*	kW
Minimum heat output	P min	N.A.	kW
Auxiliary power consumption			
At nominal heat output	el max	N.A.	kW
At minimum heat output	el min	N.A.	kW
In standby mode	el SB	N.A.	kW

Fuel efficiency (Based on the net calorific value (NCV))	Symbol	Value	Unit
Fuel efficiency at nominal heat output	$\eta_{th,nom}$	*	%
Fuel efficiency at minimum heat output	$\eta_{th,min}$	N.A.	%
Permanent pilot flame power requirement			
Pilot flame power requirement (if applicable)	Ppilot	N.A.	kW

Type of heat output/room temperature control

Single-stage heat output, no room temperature control	No
two or more manual stages, no room temperature control	Yes
with mechanic thermostat room temperature control	No
with electronic room temperature control	No
with electronic room temperature control plus day timer	No
with electronic room temperature control plus week timer	No

Other control options

room temperature control, with presence detectors	No
room temperature control, with open window detection	No
with distance control option	No

*See declaration of conformity and technical data for the stove.

