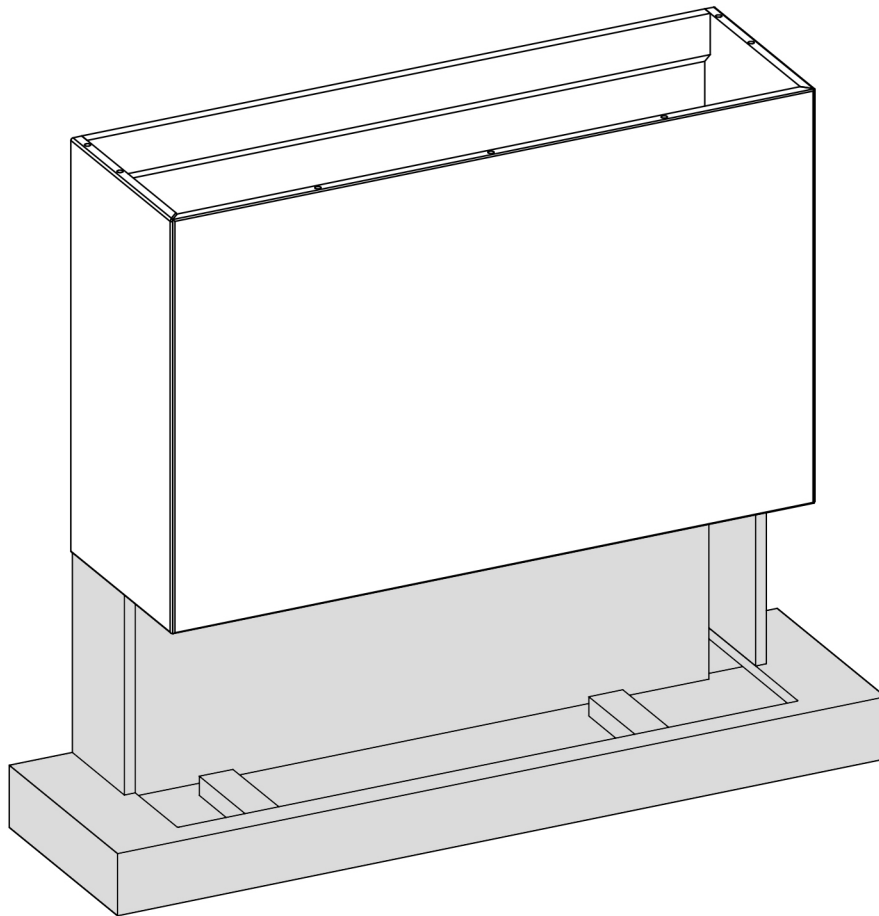
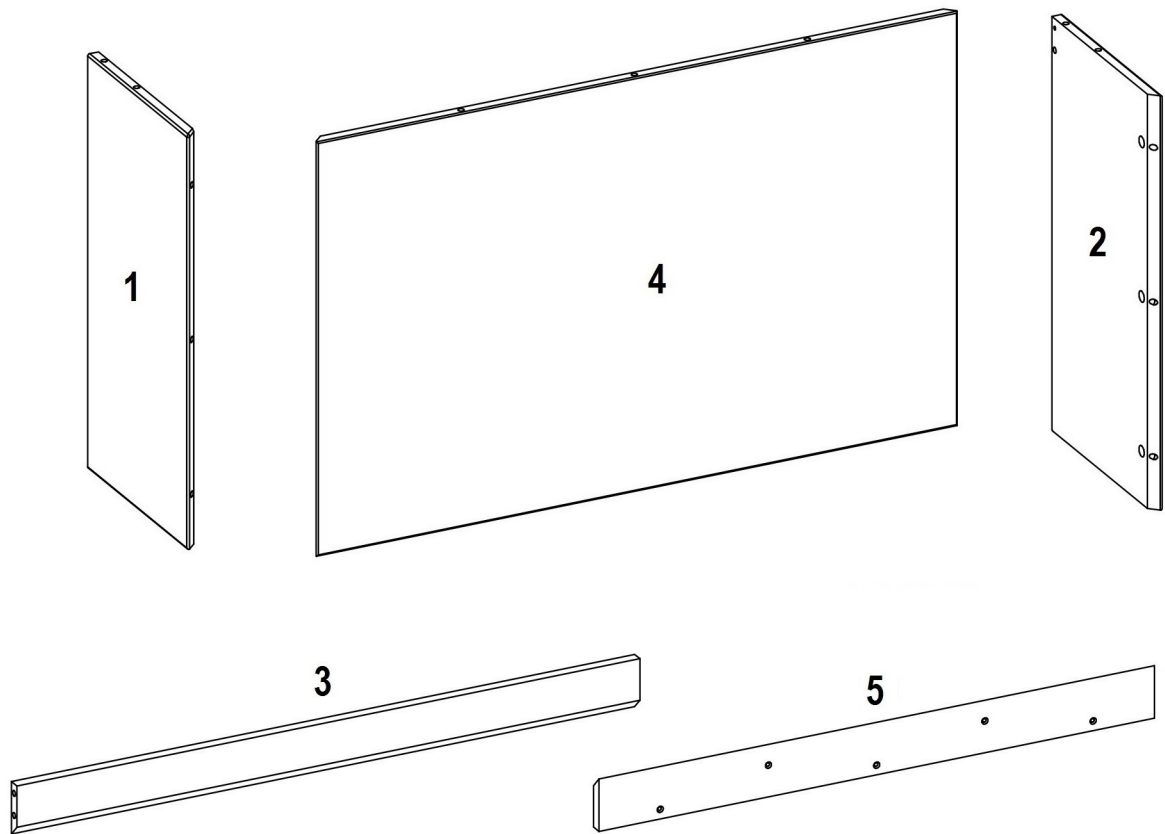








INSTRUCTION

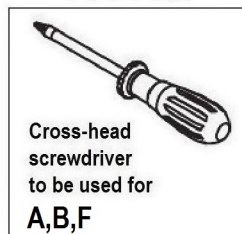


IMPORTANT: Please read this instruction carefully, keep for further reference and check all parts before assembling.



			
<p>A x 14</p>	<p>B x 2</p>	<p>C x 9</p>	<p>D x 6</p>
			
<p>E x 5</p>	<p>F x 5</p>		

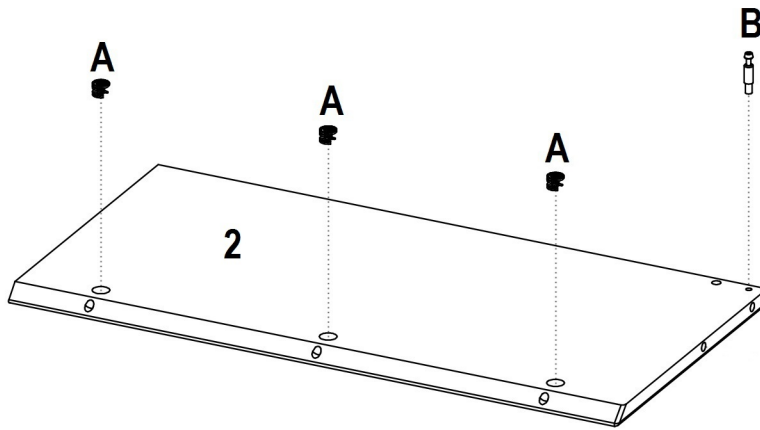
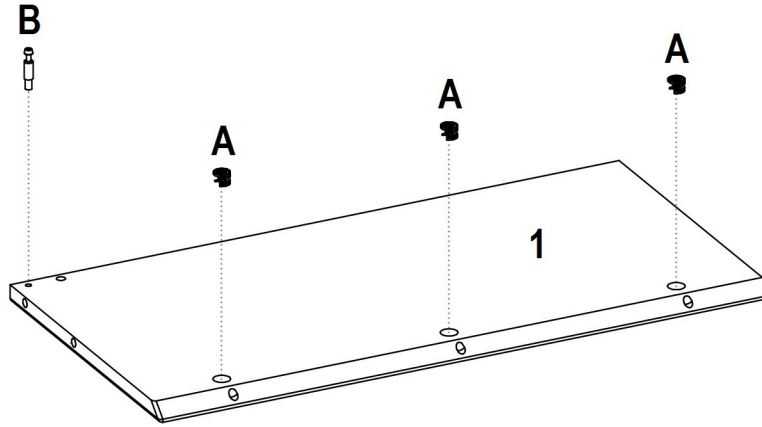
TOOL LIST



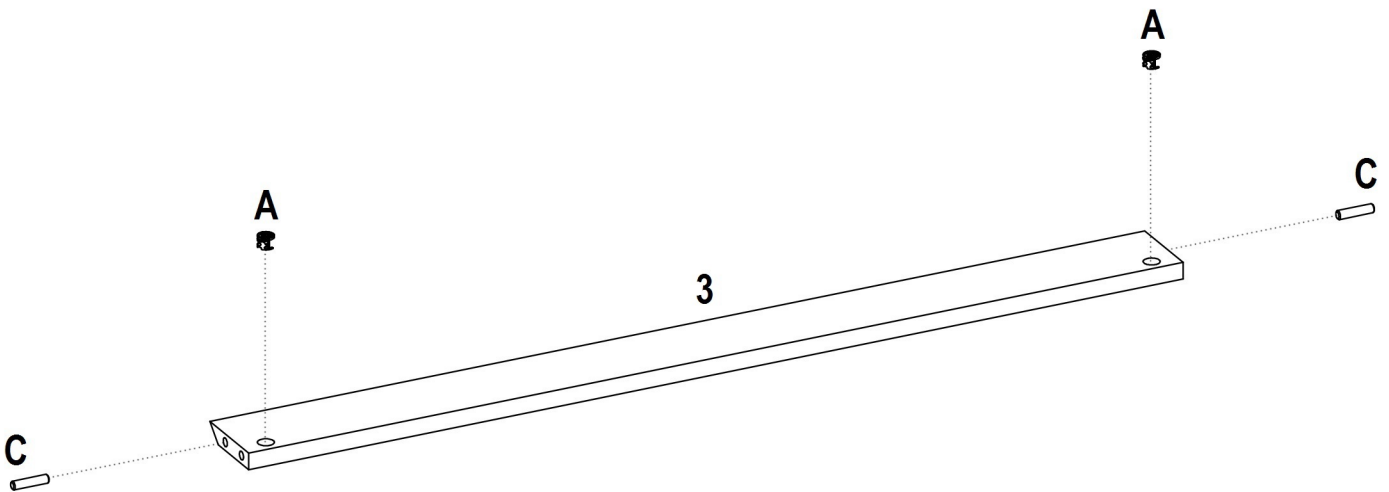
Cross-head
screwdriver
to be used for
A,B,F

Screwdriver not included

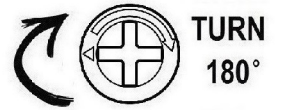
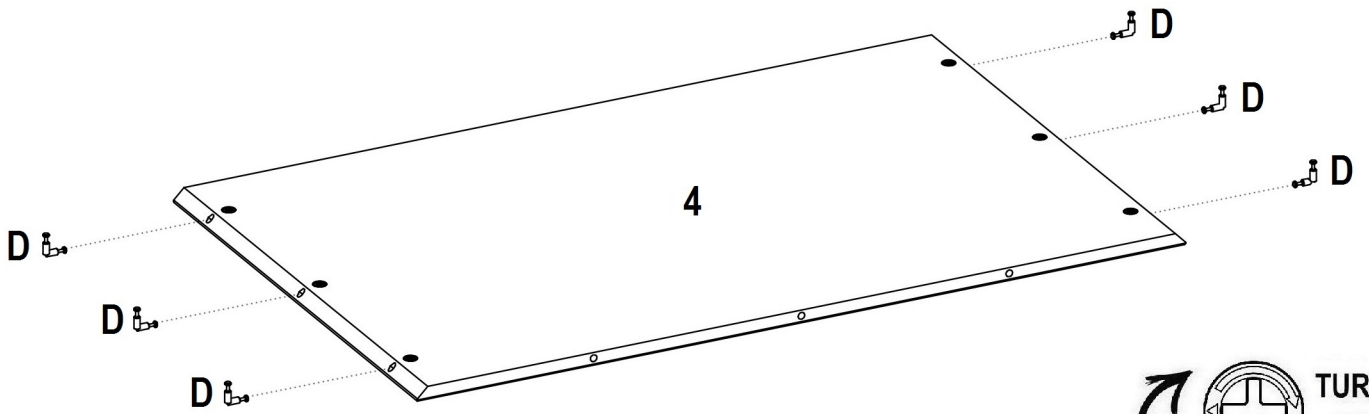
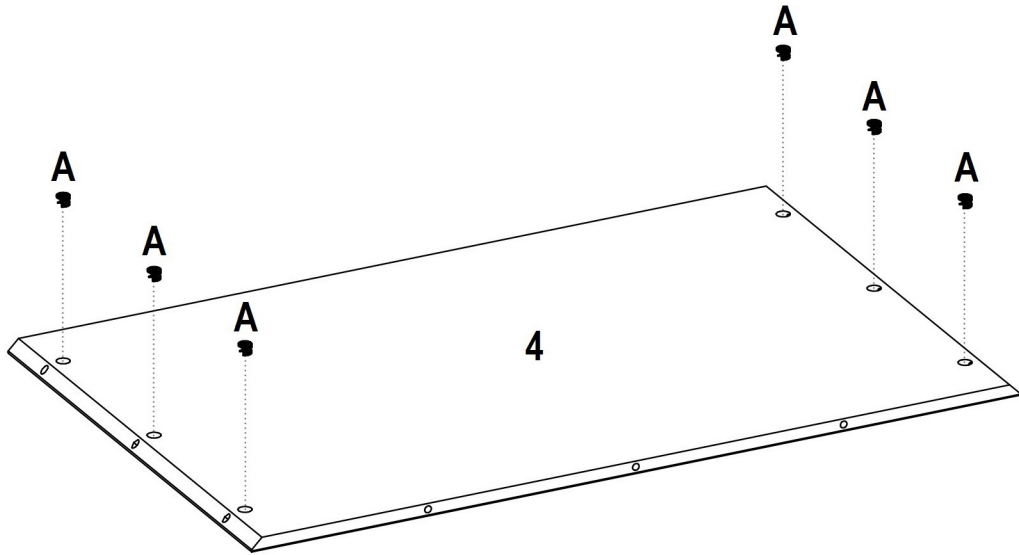
1



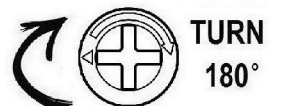
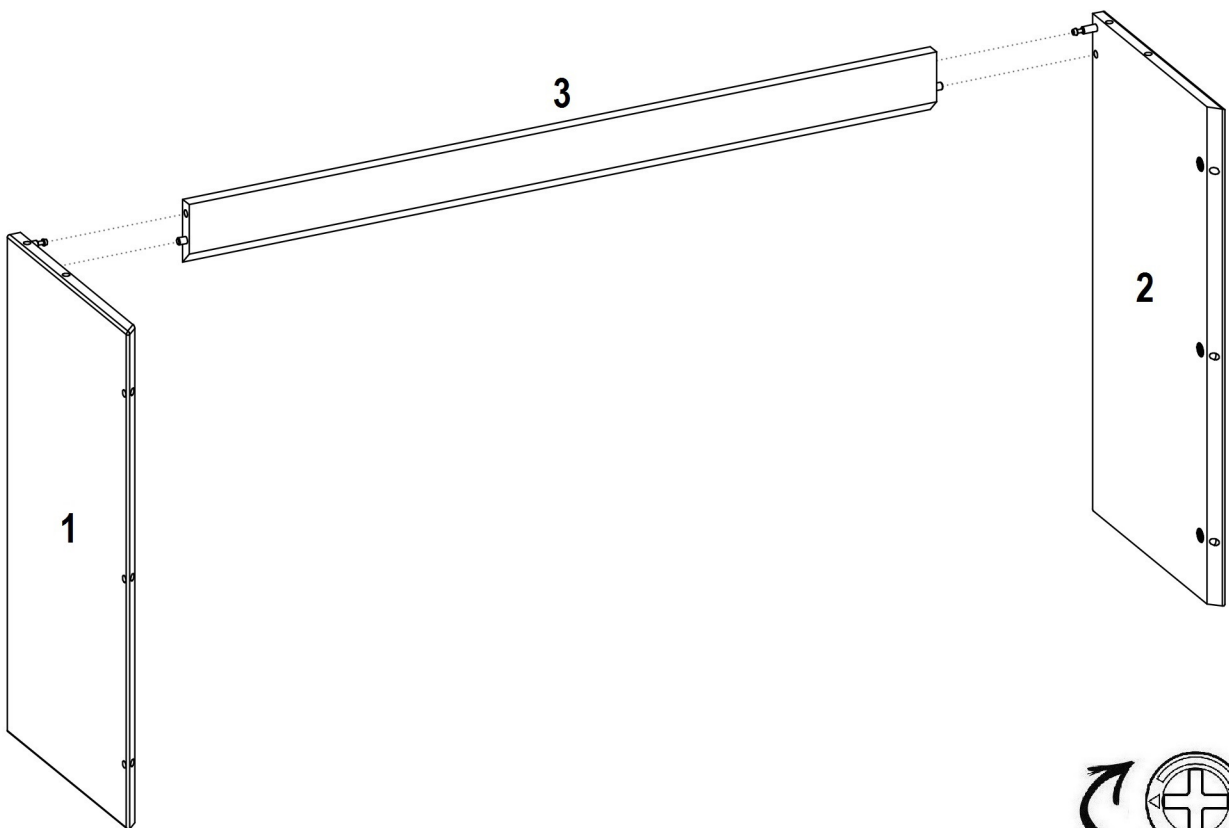
2



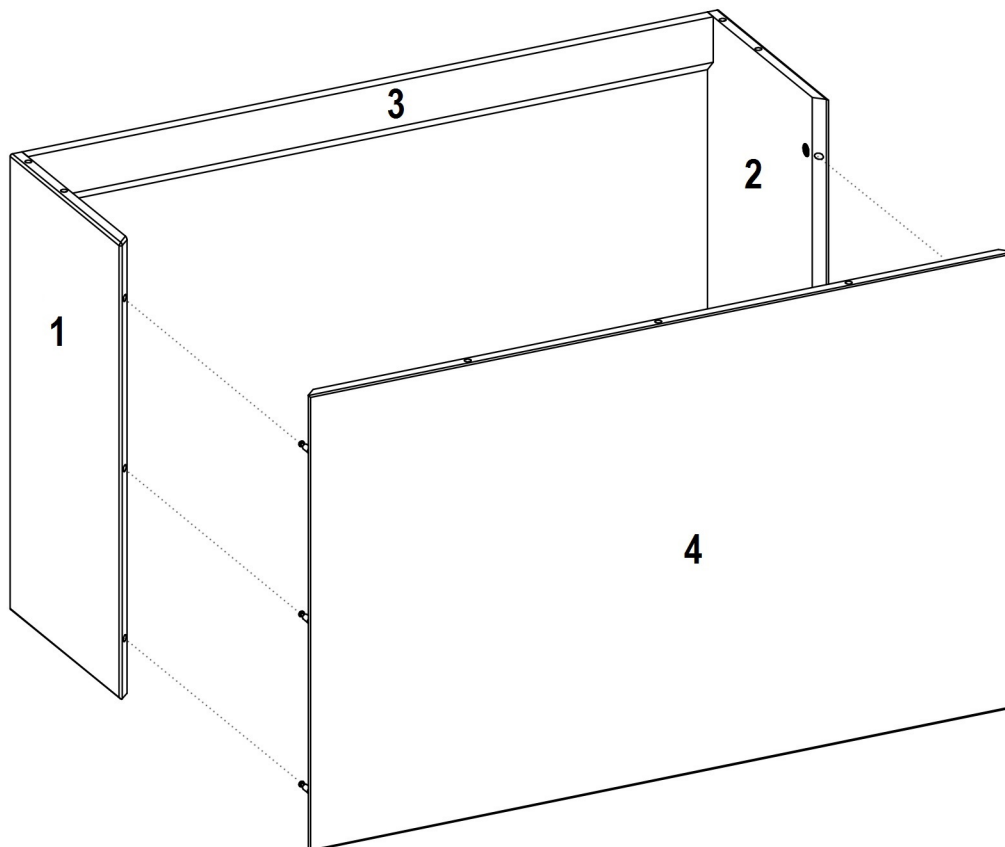
3



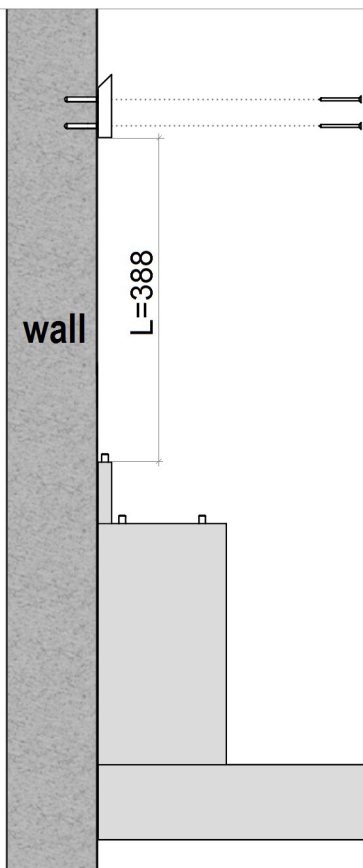
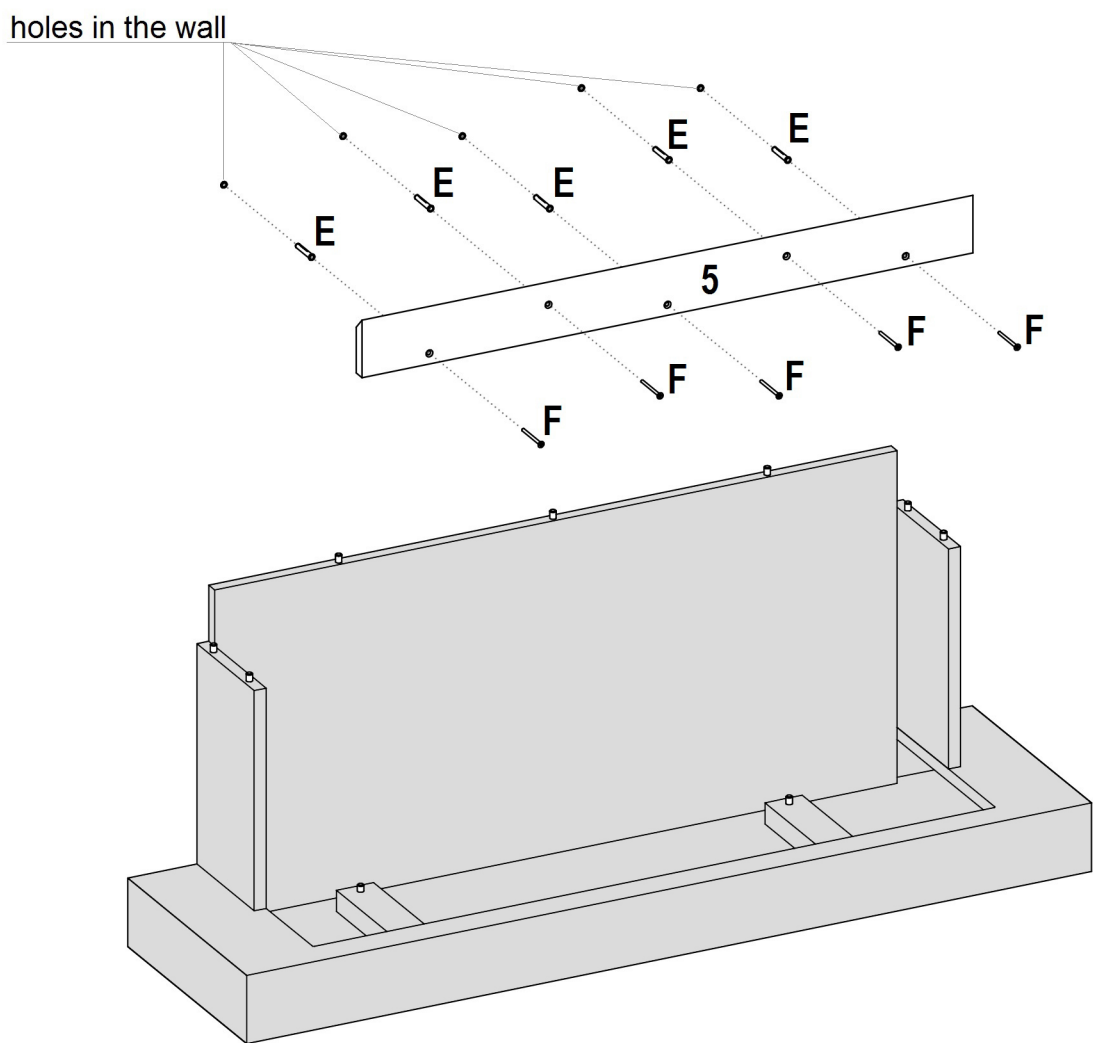
4



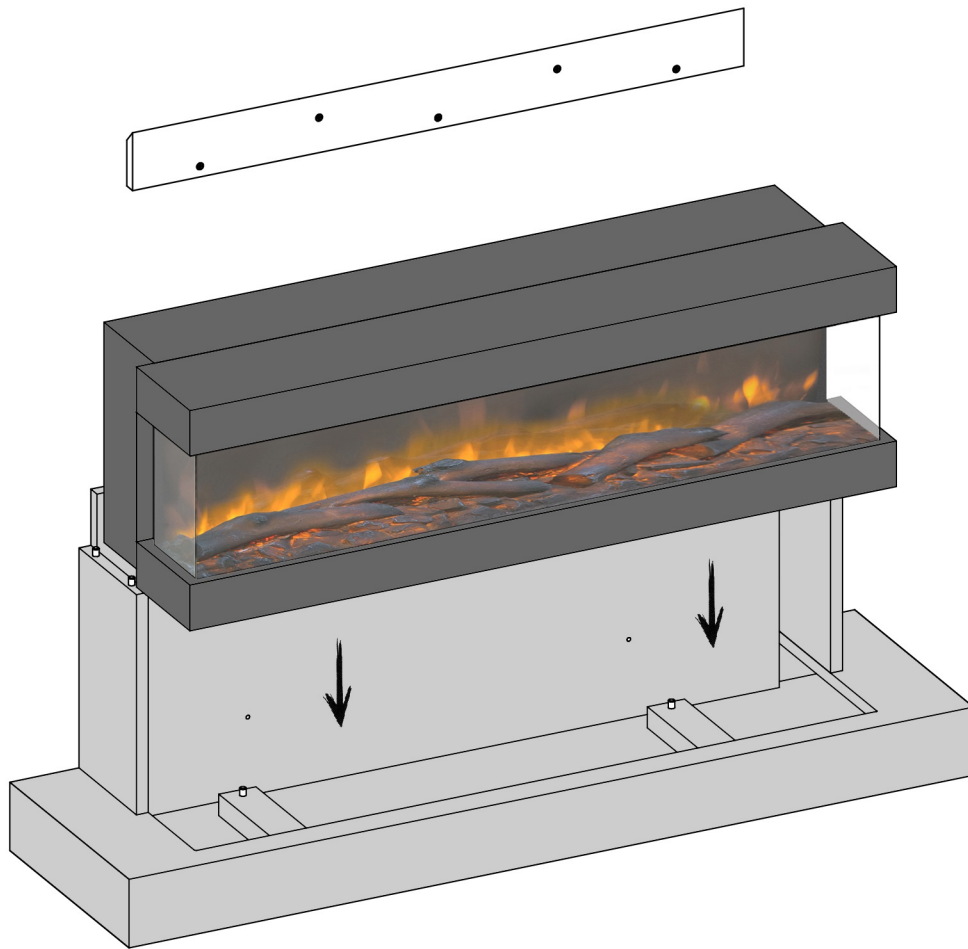
5



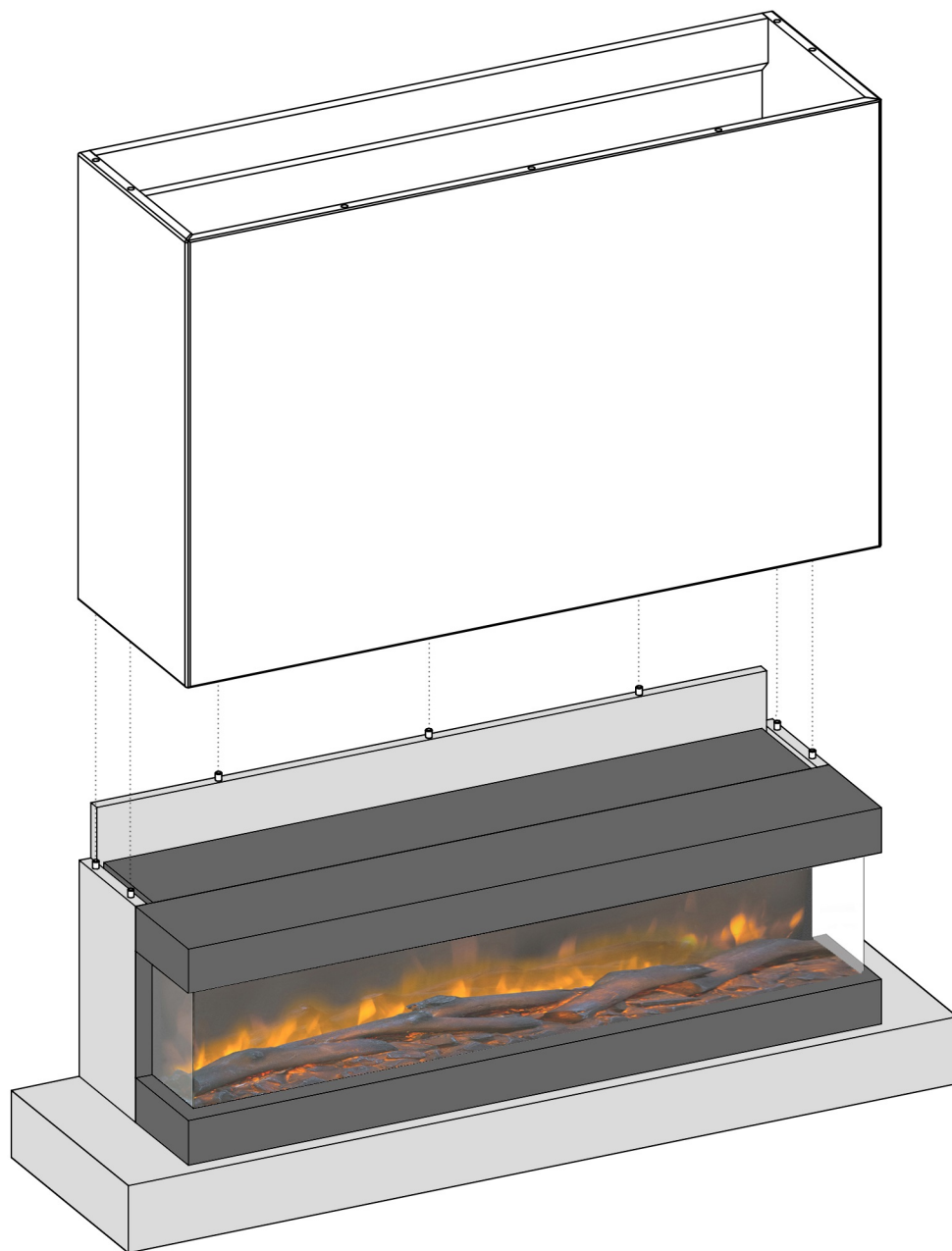
6



7



8



Alternative version

