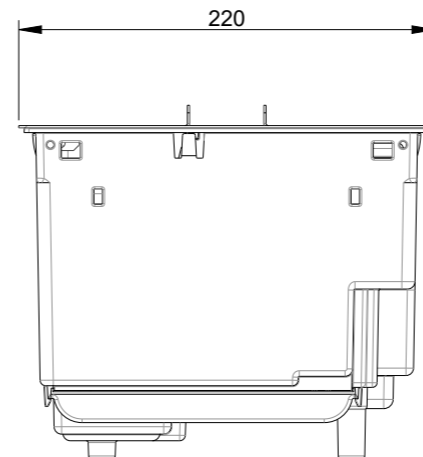
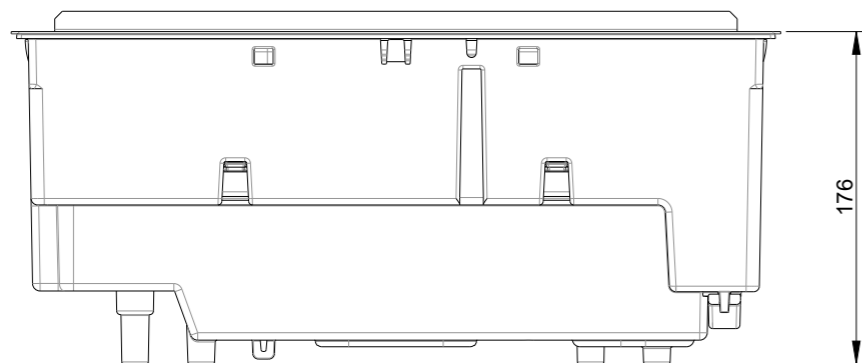
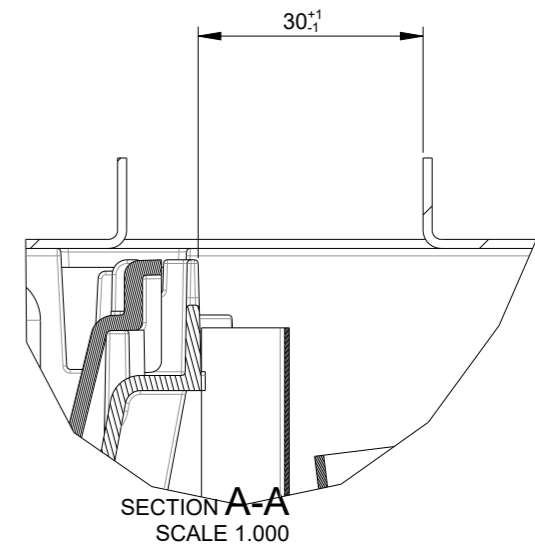


- NOTES:
1. ALL LETTERS + SYMBOLS TO BE CLEARLY LEGIBLE WITH CRISP EDGES AND AT A MINIMUM DEPTH OF 0.2mm
  2. ENSURE THE METAL FUELBED LID IS EASY TO FIT AND EASY TO REMOVE
  3. WITH THE METAL FUELBED LID CENTERED ON THE BASE BODY, THE GAP BETWEEN THE METAL FUELBED AND THE PLASTIC NOZZLE TO BE MAXIMUM 3.5mm



| ISSUE | MODIFICATIONS   | OCN   | APPD | DATE       | NOTES |
|-------|---|-------|------|------------|-------|
| 1     | Production Release  | ----  | AR   | 09/02/23   |       |
| 2     | Fuelbed replaced with metal bed   | ----- | AR   | 15/02/2023 |       |
| 3     | 7W decal, 7 button controls cover & 7W switch board replaced with 2W decal, 2 button controls cover & 2W switch board | 12032 | AR   | 02/10/23   |       |
| 4     | 300003098 printed RC number updated.  | ----- | AR   | 09/02/24   |       |
| 5     | DRAWING UPDATED FOR FUERJ PRODUCTION  | ----- | HC   | 24-10-24   |       |

**GLEN DIMPLEX RESEARCH & DEVELOPMENT**

Dunleer, Co.Louth, Ireland. Tel: +353(0)41 6872200. Fax: +353(0)41 6851464.

|          |            |        |          |            |
|----------|------------|--------|----------|------------|
| DRAWN BY | DATE       | SCALE  | HOLE TOL | GEN TOL    |
| AR       | 09/02/2023 | 0.083  | +/-0.05  | 0 +/-0,4   |
| APP'D BY | DATE       | DIM IN | ANGLES   | 0,0 +/-0,2 |
|          |            | mm     | +/-0.5°  | 0,00+/-0,1 |

THIS DRAWING IS SUPPLIED IN CONFIDENCE AND THE COPYRIGHT THEREOF IS THE PROPERTY OF GLEN DIMPLEX : IT MUST NOT BE USED BY A THIRD PARTY WITHOUT PRIOR PERMISSION. © 2023

PROJECT **CAS400LED EU**

TITLE **PRODUCT ASSEMBLY**

NO. OFF:

DO NOT SCALE  
IF IN DOUBT ASK

THIRD ANGLE PROJECTION

MATERIAL -----  
FINISH -----

**R.o.H.S. compliant**  
All materials must comply with the requirements of European Directive 2011/65/EU on the restriction of the use of certain hazardous substances

DRG NO **X-210791**

A3  
Sht 1  
of 2

